
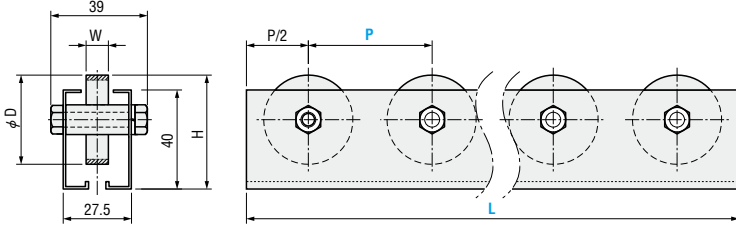

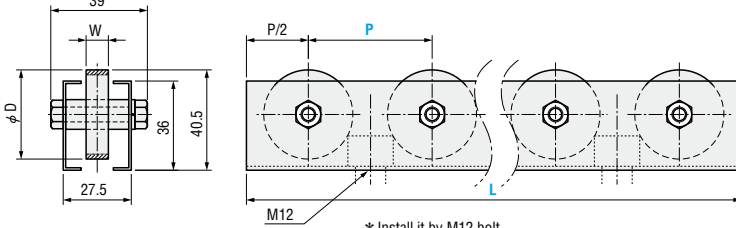

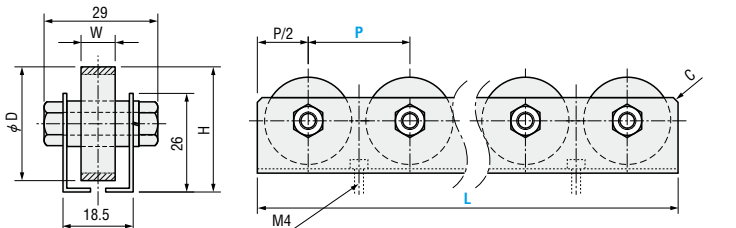

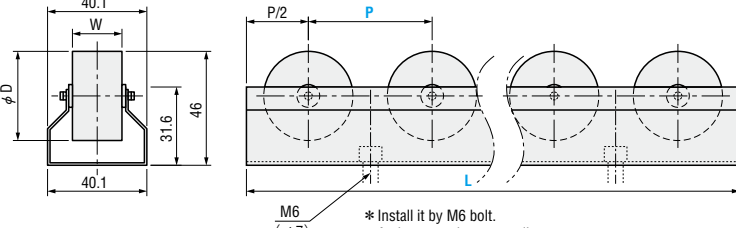


ROLLER CARRIERS

	<p>GCQ</p>  <p>Parts of roller are rubber liner.</p>
	<p>GCW</p>  <p>* Install it by M12 bolt.</p> <p>Parts of roller are rubber liner.</p>
	<p>GCE</p>  <p>* Install it by M4 bolt.</p> <p>Parts of roller are rubber liner.</p>
	<p>GCR</p>  <p>* Install it by M6 bolt. At the center between rollers</p>

Profile type	Roller model O.D.(D) type	Withstand load Roller No. (kg)	Roller size O.D.(D)×Width(W)×Shaft dia.	Standard length	Remarks Roller type
GCQ	36S	40	36 × 9 × 6	2000 3000	Machined wheel (S)
	36P	20	36 × 12 × 6		Press wheel (P)
	40R	25	40 × 9 × 6		Rubber liner (R)
GCW	36S	40	36 × 9 × 6	2000	Machined wheel (S)
	36P	20	36 × 12 × 6		Press wheel (P)
	40R	25	40 × 9 × 6		Rubber liner (R)
GCE	25S	30	25.4 × 9 × 6	1800 2000	Machined wheel (S)
	25P	15	25.4 × 7.5 × 6		Press wheel (P)
	30R	20	30 × 9 × 6		Rubber liner (R)
GCR	36CA	10	36 × 20 × 3.2	2000	Resin wheel without Anti-static agent (CA)

D	W	H	Catalog No.		Thread pitch P	Full length change L
			Profile type	Roller model		
36	9	46	GCQ	36S	50 · 75	L ≤ 3000
	12			36P		
40	9	48	GCW	40R	50 · 75	L ≤ 2000
36	9	—		36S		
40	9	—	GCE	36P	30 · 35	L ≤ 2000
36	9	—		40R		
25.4	9	30.7	GCE	25S	35	L ≤ 2000
30	7.5			25P		
30	9	33	GCR	30R	40 · 50	L ≤ 2000
36	20	—	GCR	36CA	40 · 50	L ≤ 2000



Order

Catalog No. — P — *L

Profile type Roller model

GCQ 36P — 50 — 2500

● Set dimension L to a multiple of P (pitch).
But if standard length (top surface) is not a multiple of pitch,
adjust length at both ends.



Days to Ship

Quotation



Price

Quotation