

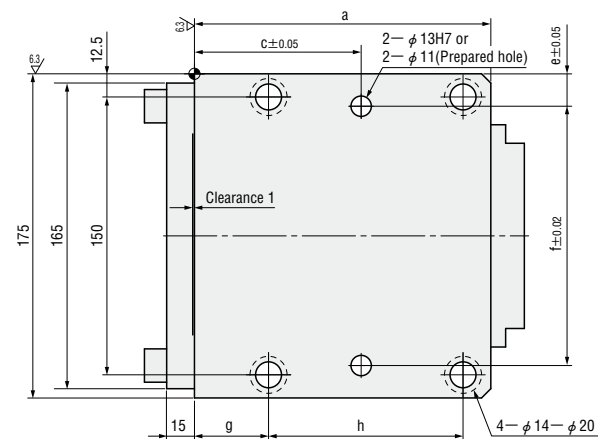
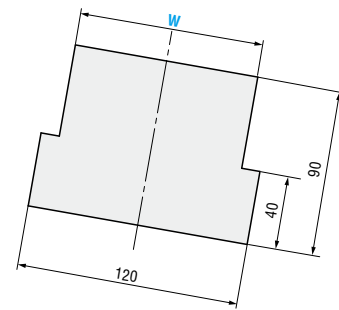
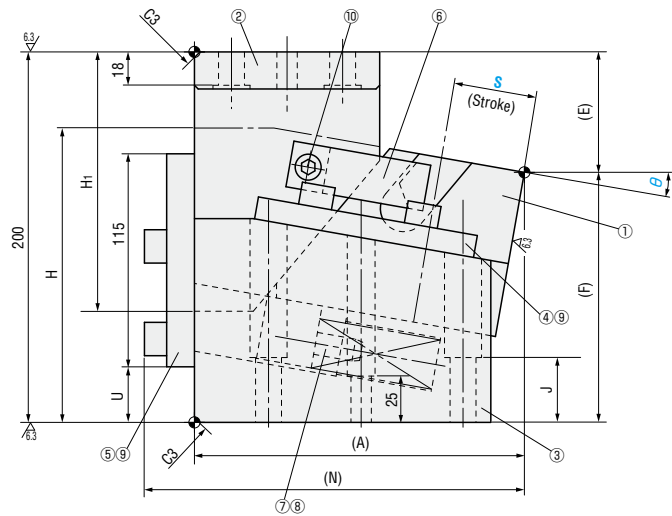
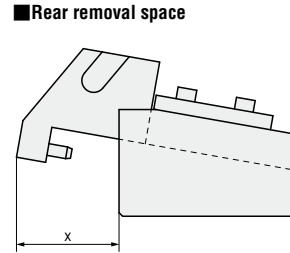
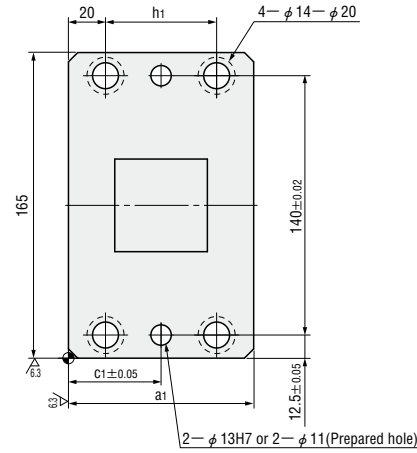
# STANDARD UNDER CAM UNITS — DRILLED DOWEL HOLES / FINISHED DOWEL HOLES —

— MGDC · MGDC A · MEDC · MEDCA —



— Drilled dowel holes —  
**MGDC100** ( $\theta=05-20$ )  
**MEDC100** ( $\theta=05-20$ )  
 (Economy type)

— Finished dowel holes —  
**MGDC A100** ( $\theta=05-20$ )  
**MEDCA100** ( $\theta=05-20$ )  
 (Economy type)



Components table P.1335

W	$\theta$	S	A	E	F	H	H <sub>1</sub>	J	N	U	a	a <sub>1</sub>	c	c <sub>1</sub>	e	f	g	h	h <sub>1</sub>	x
100	05	45	172.22	54.72	145.28	155.6	140	35	199.22	27.5	160	100	90	50	17.5	140	40	105	60	98
		70	207.08	52.77	147.23	161.1	160	40	234.08	30	190	120	70	60	12.5	150	45	130	80	90
	10	45	178.12	65.02	134.98	156.8	140	35	205.12	30	160	100	90	50	17.5	140	40	105	60	103
		70	212.59	66.1	133.9	161.6	160	40	239.59	35	190	120	70	60	12.5	150	45	130	80	95
	15	45	182.67	70.77	129.23	160	125	40	209.67	32.5	160	110	90	55	17.5	140	40	105	70	106
		70	216.48	69.83	130.17	171.5	130	40	243.48	35	190	130	70	65	12.5	150	45	130	90	98
	20	45	185.83	81.86	118.14	161.2	120	40	212.83	35	160	110	90	55	17.5	140	40	105	70	109
		70	218.72	78.83	121.17	179.5	130	40	245.72	45	190	130	70	65	12.5	150	45	130	90	98

Standard working force	Working force KN (tonf)		Spring load N (kgf)			Total weight kg	Catalog No.	W	$\theta$	Slide Stroke S	
	Max. working force	Preload	5mm before bottom dead center	Max. load							
39.2 (4.0)	78.5 (8.0)	263 (26.8)	1015 (103.5)	1109 (113.1)	33.0	100	100	15	45	05	
		194 (19.8)	1065 (108.6)	1132 (115.5)	38.0						45
		263 (26.8)	1015 (103.5)	1109 (113.1)	33.0						
		194 (19.8)	1065 (108.6)	1132 (115.5)	38.0						45
		263 (26.8)	1015 (103.5)	1109 (113.1)	32.0						
		194 (19.8)	1065 (108.6)	1132 (115.5)	39.0						45
		263 (26.8)	1015 (103.5)	1109 (113.1)	32.0						
		194 (19.8)	1065 (108.6)	1132 (115.5)	39.0						45
		263 (26.8)	1015 (103.5)	1109 (113.1)	32.0						
		194 (19.8)	1065 (108.6)	1132 (115.5)	39.0						45
		263 (26.8)	1015 (103.5)	1109 (113.1)	32.0						

Order **Catalog No.** **MGDC A** **100** - **15** - **70**

Days to Ship **Quotation**

Price **Quotation**

Alterations **Catalog No.** **MGDC A** **100** - **10** - **45** - **N12**

Alteration	Code	Spec.
$\phi 12H7$	N12	Change dowel hole diameter $\phi 13H7 \Rightarrow \phi 12H7$ ⓧ Not applicable for prepared hole types