

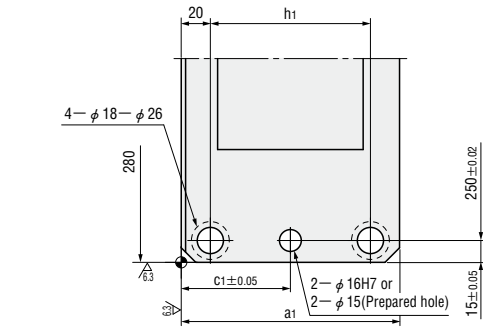
STANDARD UNDER CAM UNITS — DRILLED DOWEL HOLES / FINISHED DOWEL HOLES—

— MGDC · MGDC A · MEDC · MEDCA —

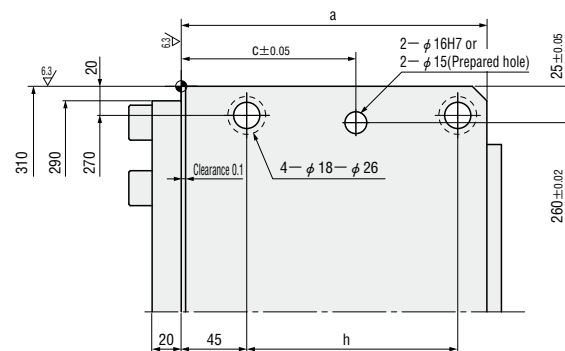
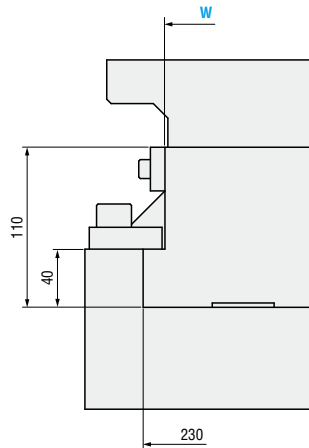
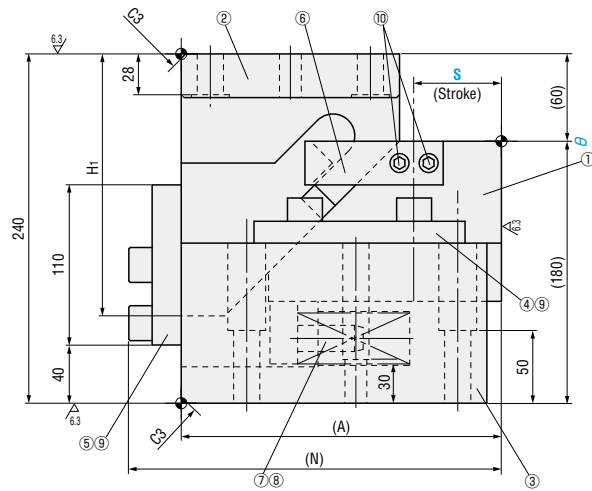
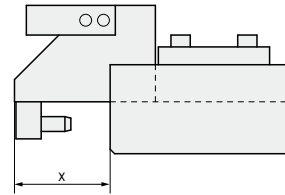


— Drilled dowel holes —
MGDC200
MEDC200
 (Economy type)

— Finished dowel holes —
MGDC A200
MEDCA200
 (Economy type)



■ Rear removal space



W	θ	S	A	H ₁	N	a	a ₁	c	c ₁	h	h ₁	x
200	00	40	200	160	236	200	130	110	65	135	90	125
		60	220	180	256	210	150	120	75	145	110	115

Working force KN (tonf)		Spring load N (kgf)			Total weight kg	Catalog No.	W	θ	Slide Stroke S
Standard working force	Max. working force	Preload	5mm before bottom dead center	Max. load					
78.5 (8.0)	117.7 (12.0)	461 (47.0)	2477 (252.6)	2765 (281.9)	82.0	— Drilled dowel holes — MGDC MEDC (Economy type)	200	00	40
		499 (50.9)	2611 (266.3)	2803 (285.8)	84.0				— Finished dowel holes — MGDC A MEDCA (Economy type)

Order **Catalog No.** **MGDC A** **200** - **θ** **00** - **S** **60**

Days to Ship **Quotation**

Price **Quotation**