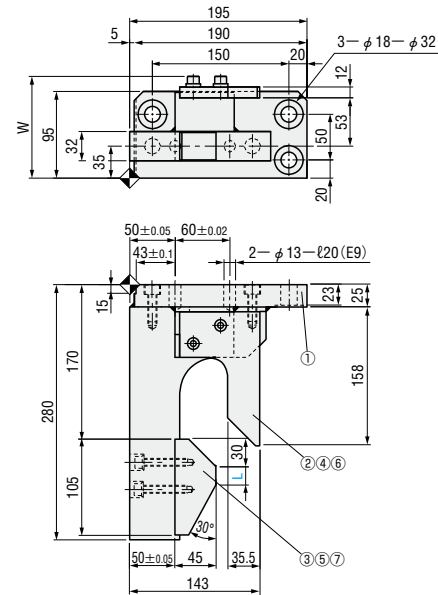


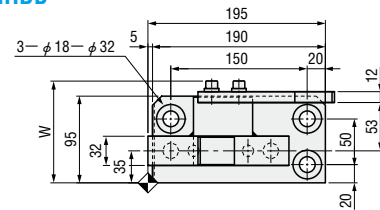


MHDA MHDAW

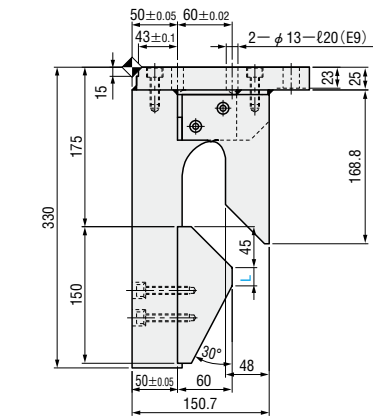
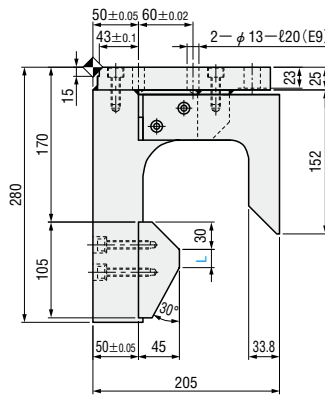
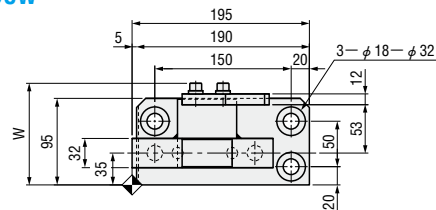


* This drawing shows the right side.
The left side is symmetric to this drawing.

MHDB



MHDC MHDCW



⊕ The maximum allowable load for drivers is 2000kgf.

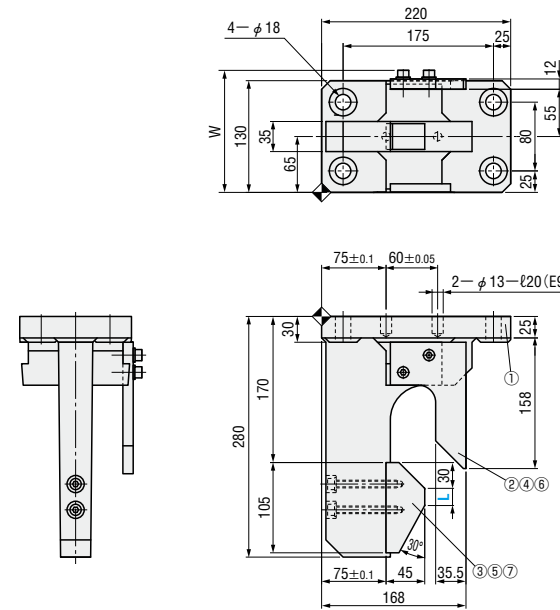
■ Components list

No.	Name	Qty.	Material & remarks
①	Base	1	SS400
②	Driving plate	1	SS400
③	Cam block	1	S45C HRC50~
④	Hexagon socket head cap bolt	2	M10×30
⑤	Hexagon socket head cap bolt	2	M8×55
⑥	Spring washer	2	For M10
⑦	Spring washer	2	For M8

■ Comparison list of link units and drivers

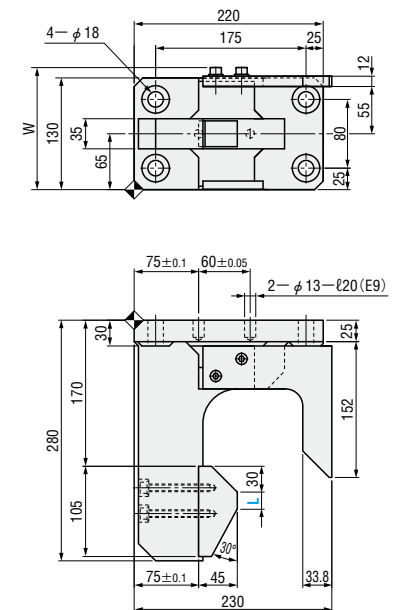
Link units			Drivers
MSHU	MPHU45	MPHU55	MHDA
			MHDC
MPHWU45	MPHWU55		MHDAW
			MHDCW
MPHWU70			MHDB

MHDFCDA



* This drawing shows the right side.
The left side is symmetric to this drawing.

MHDFCDB



■ Components list

No.	Name	Qty.	Material & remarks
①	Base	1	Equivalent to FCD600
②	Driving plate	1	SS400
③	Cam block	1	S45C HRC50~
④	Hexagon socket head cap bolt	2	M10×30
⑤	Hexagon socket head cap bolt	2	M8×75
⑥	Spring washer	2	For M10
⑦	Spring washer	2	For M8

■ Comparison list of link units and drivers

Link units			Drivers
MSHU	MPHU45	MPHU55	MHDFCDA
MCHU			MHDFCDB

W	Catalog No.	L	R/L
112.5	MHDA MHDB MHDC	10 15 20 25	R · L
124.5	MHDAW MHDCW		
142	MHDFCDA MHDFCDB		



Order

Catalog No. L - R/L
MHDFCDA 25 - L



Days to Ship

Quotation



Price

Quotation