

REFERENCE PINS FOR CHECKING FIXTURES

TAPERED REFERENCE PINS FOR CHECKING FIXTURES

— THREADED TYPE —

RoHS **BGTDSH** (Hardened type)

① Handle part
M SS400
S Black oxide (Fe₃O₄)

② Gauge part
M SKS3
H 40 ~ 45HRC

⚡ $S < \frac{\sqrt{3}}{2} \left[E + \sqrt{\frac{P^2 - E^2}{3}} \right]$

⚡ A relief groove of approximately 1mm is created at the locations where the steps are joined.

RoHS **BGTA** (Round type)
BGTAH (Round, hardened type)

⚡ $S < P - 1$

⚡ A relief groove of approximately 1mm is created at the locations where the steps are joined.

① Handle part
M SS400
S Black oxide (Fe₃O₄)

② Gauge part
M SKS3
H 40 ~ 45HRC (Hardened type)

RoHS **BGTD** (Diamond type)
BGTDH (Diamond, hardened type)

⚡ $S < \frac{\sqrt{3}}{2} \left[E + \sqrt{\frac{(P-1)^2 - E^2}{3}} \right]$

⚡ A relief groove of approximately 1mm is created at the locations where the steps are joined.

① Handle part
M SS400
S Black oxide (Fe₃O₄)

② Gauge part
M SKS3
H 40 ~ 45HRC (Hardened type)

RoHS **BGMA** (Round, hardened type)

⚡ A relief groove of approximately 1mm is created at the locations where the steps are joined.

① Handle part
M SS400
S Black oxide (Fe₃O₄)

② Gauge part
M SKS3
H 40 ~ 45HRC

RoHS **BGMD** (Diamond, hardened type)

⚡ A relief groove of approximately 1mm is created at the locations where the steps are joined.

① Handle part
M SS400
S Black oxide (Fe₃O₄)

② Gauge part
M SKS3
H 40 ~ 45HRC

B	E	Catalog No.		P		S		Base unit price 1 ~ 9 pieces
		Type	H	0.01mm increments	0.1mm increments			
15	3	BGTDSH (Hardened type)	13	6.00 ~ 9.00	3.0 ~ 6.0	Quotation		
17	4		16	9.01 ~ 12.00	5.0 ~ 8.0			
19	6		21	12.01 ~ 16.00	9.0 ~ 12.0			
24	8		26	16.01 ~ 20.00	9.0 ~ 15.0			
30	10		32	20.01 ~ 27.00	9.0 ~ 20.0			

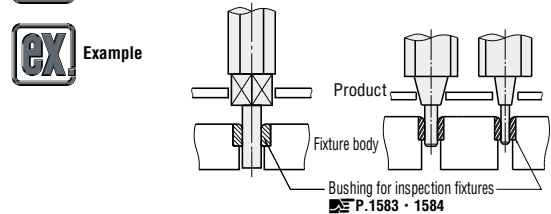
B	E (BGTD-BGTDH only)	Catalog No.		P		Base unit price 1 ~ 9 pieces			
		Type	H	0.01mm increments	1mm increments	BGTA	BGTAH	BGTD	BGTDH
15	3	BGTA (Round type)	13	6.00 ~ 9.00	3 ~ 6	Quotation			
17	4		BGTAH (Round, hardened type)	16	9.01 ~ 12.00		5 ~ 8		
19	6	BGTD (Diamond type)		21	12.01 ~ 16.00		9 ~ 12		
24	8		BGTDH (Diamond, hardened type)	26	16.01 ~ 20.00		9 ~ 15		
30	10	32		20.01 ~ 27.00	9 ~ 20				

Order Catalog No. — P — S
BGTDSH 16 — P10.00 — S5.0
BGTD 16 — P12.00 — S5

Price **Quotation**

Days to Ship **Quotation**

Alterations Catalog No. — P — S — (CH-MH)
BGTDSH 16 — P12.00 — S6.0 — CH
BGTA 16 — P12.00 — S5 — CH



Alteration	Code	Spec.	1Code
	CH	Attachment of a chain (length 600 mm) to the gauge body to prevent loss	Quotation
	MH	Addition of tap hole (M5)	

S	E (BGMD only)	M×P	Catalog No.		P 0.01mm increments	Base unit price 1 ~ 9 pieces	
			Type	H		BGMA	BGMD
6	3	5×0.8	BGMA (Round, hardened type) BGMD (Diamond, hardened type)	13	7.20 ~ 9.00	Quotation	
8	4	6×1.0		16	9.01 ~ 12.00		
10		8×1.25		21	12.01 ~ 16.00		
				26	16.01 ~ 20.00		
				32	20.01 ~ 27.00		

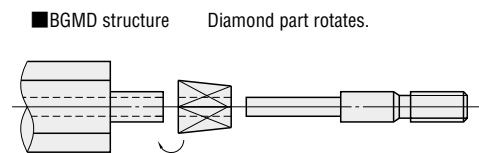
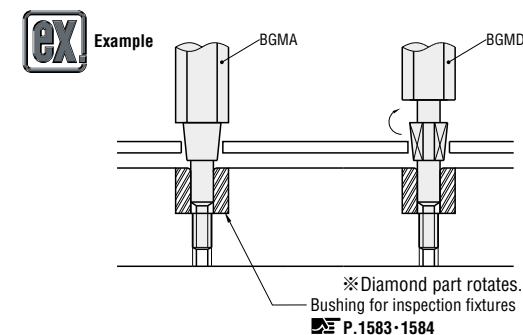
Order Catalog No. — P
BGMD 16 — P10.00

Price **Quotation**

Days to Ship **Quotation**

Alterations Catalog No. — P — (CH-MH)
BGMD 13 — P8.00 — CH

Alteration	Code	Spec.	1Code
	CHT	Attachment of a chain (length 600 mm) to the gauge body to prevent loss. A rotating mechanism is included to prevent twisting of the chain.	Quotation
	MH	Addition of tap hole (M5)	



INSPECTION JIGS & FIXTURES