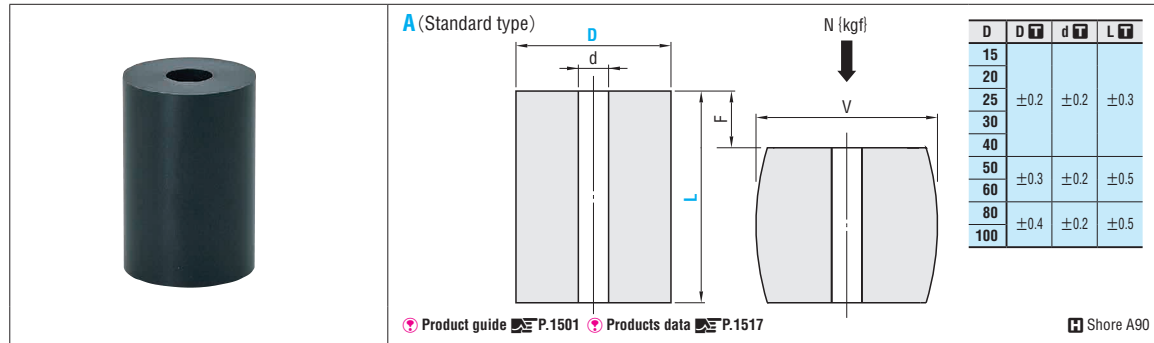


URETHANES FOR HEAVY LOAD

URETHANE STOCK BLOCKS



F=L×15%		F=L×20%		F=L×25%		d	Catalog No.	Base unit price
F mm	Load N (kgf)	F mm	Load N (kgf)	F mm	Load N (kgf)			
3.8		5		6.3		18	A 15 - 25	1 ~ 19 pieces
4.5	588	6	785	7.5	981		30	
5.3	{ 60}	7	{ 80}	8.8	{ 100}		35	
6		8		10			40	
3.8		5		6.3		24	A 20 - 25	
4.5	1128	6	1422	7.5	1765		30	
5.3	{ 115}	7	{ 145}	8.8	{ 180}		35	
6		8		10			40	
3.8		5		6.3		30	A 25 - 25	
4.5		6		7.5			30	
5.3	1667	7	2157	8.8	2648		35	
6	{ 170}	8	{ 220}	10	{ 270}		40	
6.8		9		11.3			45	
7.5		10		12.5			50	
3.8		5		6.3		37	A 30 - 25	
4.5		6		7.5			30	
5.3		7		8.8			35	
6	2599	8	3040	10	3531		40	
6.8	{ 265}	9	{ 310}	11.3	{ 360}		45	
7.5		10		12.5			50	
8.3		11		13.8			55	
9		12		15			60	
6		8		10		48	A 40 - 40	
7.5	4560	10	5394	12.5	6276		50	
9	{ 465}	12	{ 550}	15	{ 640}		60	
7.5		10		12.5		60	A 50 - 50	
9	7747	12	9218	15	10787		60	
12	{ 790}	16	{ 940}	20	{ 1100}		80	
7.5		10		12.5		72	A 60 - 50	
9	13042	12	15102	15	17652		60	
12	{ 1330}	16	{ 1540}	20	{ 1800}		80	
9		12		15		95	A 80 - 60	
12	21378	16	25399	20	29420		80	
15	{ 2180}	20	{ 2590}	25	{ 3000}		100	
12		16		20		119	A100 - 80	
15	35990	20	42659	25	49720		100	
18	{ 3670}	24	{ 4350}	30	{ 5070}		120	

Quotation

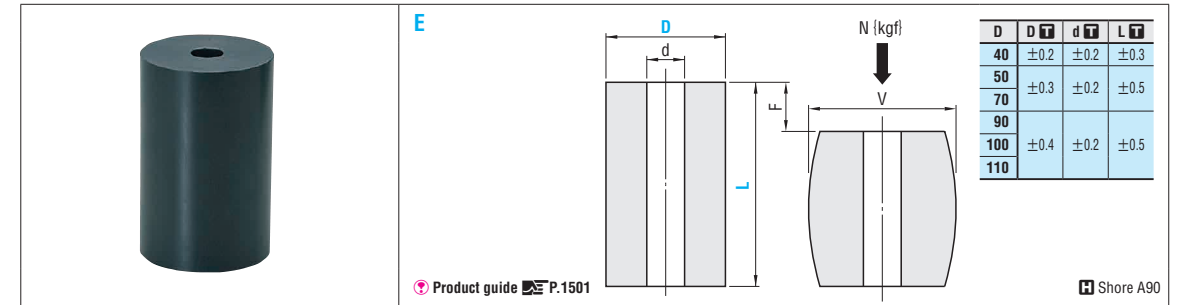
Order

Days to Ship **Quotation**

Price **Quotation**

Alterations

Alteration	Code	Spec.	1Code
	C1	C1 chamfering on inner diameter	Quotation

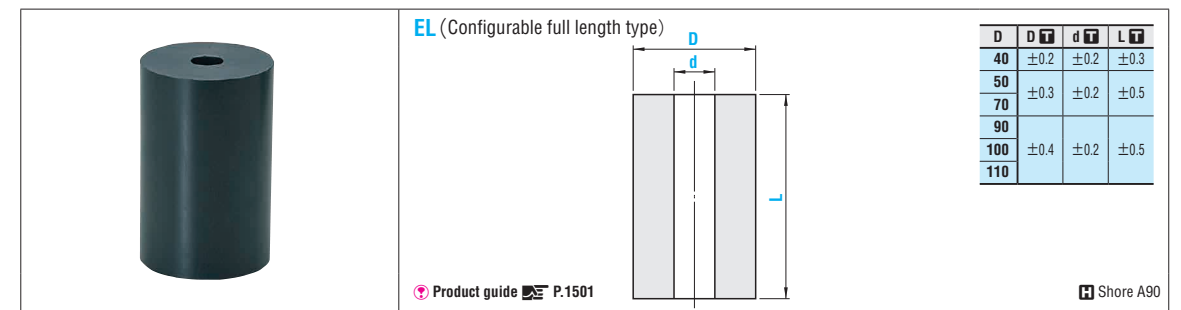


F=L×15%		F=L×20%		F=L×25%		V	D	d	L	Catalog No.		Base unit price
F mm	Load N (kgf)	F mm	Load N (kgf)	F mm	Load N (kgf)					Type	D - L	
12	4560 {465}	16	5394 {550}	20	6276 { 640}	47	40		80		40-80	1 ~ 19 pieces
16.5	7747 {790}	22	9218 {940}	27.5	10787 {1100}	59	50	14	110		50-110	
16.5		22		27.5		81	70	70	110		70-110	
21		28		35			70	70	140		70-140	
25.5	18633 {1900}	34	22555 {2300}	42.5	24517 {2500}		70	70	170		70-170	
16.5		22		27.5			70	70	110		7022110	
21		28		35			70	70	140		7022140	
25.5		34		42.5			70	70	170		7022170	
21		28		35			90	90	140		90-140	
25.5	27459 {2800}	34	33342 {3400}	42.5	40207 {4100}	105	90	90	170		90-170	
30		40		50			90	90	200		90-200	
21	35990 {3670}	28	42659 {4350}	35	49720 {5070}	117	100	100	140		100-140	
21		28		35			110	110	140		110-140	
25.5		34		42.5			110	110	170		110-170	
30	39226 {4000}	40	47072 {4800}	50	56878 {5800}	129	110	110	200		110-200	
37.5		50		62.5			110	110	250		110-250	

•Load (kgf) = Load (N) × 0.101972

Order Price **Quotation**

Days to Ship **Quotation**



Type	Catalog No.		L	Base unit price 1 ~ 9 pieces							
	D	d		1mm increments	L15 ~ 20	L21 ~ 40	L41 ~ 60	L61 ~ 80	L81 ~ 100	L101 ~ 150	L151 ~ 200
EL	40	14	15 ~ 200								
	50										
	70	14-22	50 ~ 250								
	90										
	100	22									
110											

Order Price **Quotation**

Days to Ship **Quotation**

URETHANE SPRINGS

Quotation