
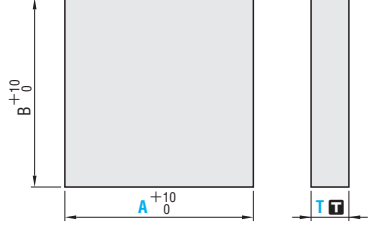


URETHANE SHEETS

URETHANE DIE PADS



UT



T	±
1 ~ 4	±0.3
5 ~ 10	±0.4
15 ~ 25	±0.5
30 ~ 50	±1


Product guide P.1501 Shore A90

A	B	T	Catalog No.		Base unit price 1 ~ 9 pieces
			Type	T - A	
300	300	5	UT	5 - 300	Quotation
		6		6 - 300	
		8		8 - 300	
		10		10 - 300	
		15		15 - 300	
		20		20 - 300	
		25		25 - 300	
30		30 - 300			
500	500	1	UT	1 - 500	
		2		2 - 500	
		3		3 - 500	
		4		4 - 500	
		5		5 - 500	
		6		6 - 500	
		8		8 - 500	
		10		10 - 500	
		15		15 - 500	
		20		20 - 500	
		25		25 - 500	
		30		30 - 500	
		50		50 - 500	

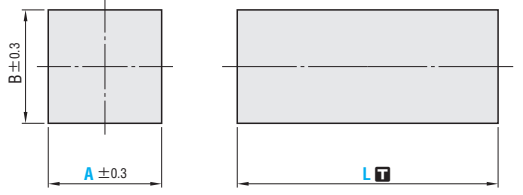
Order

Days to Ship

Price



UD




Product guide P.1501 Shore A90

A	B	L	±	Catalog No.		Base unit price 1 ~ 9 pieces
				Type	A - L	
25	25	50	±1	UD	25 - 50	Quotation
		100			100	
		300			300	
		500	+5		500	
		800	0		800	
		1000			1000	
50	50	50	±1	UD	50 - 50	
		100			100	
		300			300	
		500	+5		500	
		800	0		800	
		1000			1000	
75	50	50	±1	UD	75 - 50	
		100			100	
		300			300	
		500	+5		500	
		800	0		800	
		1000			1000	

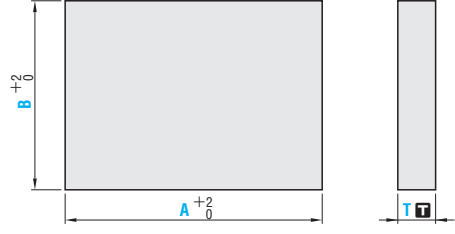
Order

Days to Ship

Price



UTH (Configurable size type)



T	±
1 ~ 4	±0.3
5 ~ 10	±0.4
15 ~ 25	±0.5
30 ~ 50	±1


Product guide P.1501 Shore A90

Catalog No.	1mm increments		Catalog No.	1mm increments	
	Type	T		Type	T
UTH	1		UTH	10	
	2			15	
	3			20	
	4	20 ~ 500		25	20 ~ 500
	5	20 ~ 500		30	20 ~ 500
	6			40	
				50	

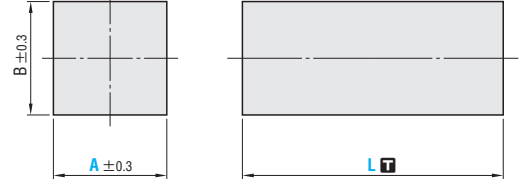
Order

Days to Ship

Price



UDH (Configurable full length type)



L	±
25 ~ 200	+1 0
201 ~ 500	+2 0
501 ~ 1000	+3 0

Product guide P.1501 Shore A90

A	B	Catalog No. Type A	L		Base unit price 1 ~ 9 pieces
			1mm increments	L	
25	25	UDH 25	25 ~ 50	Quotation	
			51 ~ 100		
			101 ~ 300		
			301 ~ 500		
			501 ~ 800		
			801 ~ 1000		
50	50	UDH 50	25 ~ 50		
			51 ~ 100		
			101 ~ 300		
			301 ~ 500		
			501 ~ 800		
			801 ~ 1000		
75	50	UDH 75	25 ~ 50		
			51 ~ 100		
			101 ~ 300		
			301 ~ 500		
			501 ~ 800		
			801 ~ 1000		

Order

Days to Ship

Price