
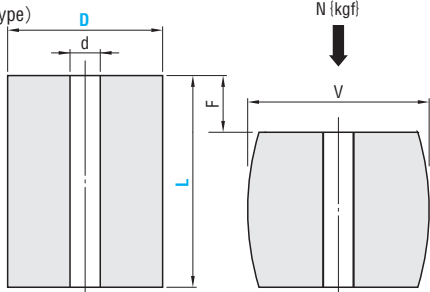


# ECONOMY URETHANES



**AE (Standard type)**



D	D <sub>T</sub>	d <sub>T</sub>	L <sub>T</sub>
15			
20			
25	±0.2		±0.3
30		±0.2	
40			
50	±0.3		±0.5
60			

Product guide P.1501 Products data P.1517 Shore A90

F=L×15%		F=L×20%		F=L×25%		d	Catalog No.	Base unit price
F mm	Load N (kgf)	F mm	Load N (kgf)	F mm	Load N (kgf)			
3.8		5		6.3			AE 15 — 25	<b>Quotation</b>
4.5	539	6	735	7.5	932	18	30	
5.3	{ 55}	7	{ 75}	8.8	{ 95}		35	
6		8		10			40	
3.8		5		6.3			AE 20 — 25	
4.5	1079	6	1373	7.5	1667	24	30	
5.3	{ 110}	7	{ 140}	8.8	{ 170}		35	
6		8		10			40	
3.8		5		6.3			AE 25 — 25	
4.5		6		7.5			30	
5.3	1569	7	2059	8.8	2550	30	35	
6	{ 160}	8	{ 210}	10	{ 260}		40	
6.8		9		11.3			45	
7.5		10		12.5			50	
4.5		6		7.5			AE 30 — 30	
5.3		7		8.8			35	
6		8		10			40	
6.8	2452	9	2844	11.3	3334	37	45	
7.5	{ 250}	10	{ 290}	12.5	{ 340}		50	
8.3		11		13.8			55	
9		12		15			60	
6		8		10			AE 40 — 40	
7.5	4315	10	5099	12.5	5982	48	50	
9	{ 440}	12	{ 520}	15	{ 610}		60	
7.5		10		12.5			AE 50 — 50	
9	7355	12	8728	15	10297	60	60	
12	{ 750}	16	{ 890}	20	{ 1050}		80	
7.5		10		12.5			AE 60 — 50	
9	12356	12	14318	15	16769	72	60	
12	{ 1260}	16	{ 1460}	20	{ 1710}		80	

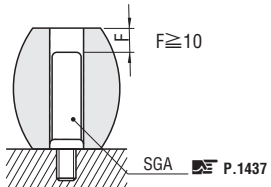
●Load (kgf) = Load (N)×0.101972

Order **Catalog No.**  
AE 15—25


Days to Ship **Quotation**

Price **Quotation**

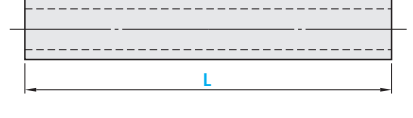
**EX** Example



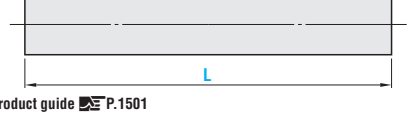
SGA P.1437



**LAE**



**CE**



D	D <sub>T</sub>	d <sub>T</sub>	L <sub>T</sub>
8			
10			
15			
20	±0.2		±0.2
25		±0.2	
30			
40			
50	±0.3		±0.5
60			

Product guide P.1501 Shore A90


d	Catalog No.		Catalog No.		Base unit price
	Type	D—L	Type	D—L	
—	—	—	CE	8—200	<b>Quotation</b>
—	—	—	CE	10—200	
7	LAE	15—200	CE	15—200	
8.5	LAE	20—200	CE	20—200	
11	LAE	25—200	CE	25—200	
14	LAE	30—500	CE	30—500	
	LAE	40—500	CE	40—500	
	LAE	50—500	CE	50—500	
	LAE	60—500	CE	60—500	

Order **Catalog No.**  
LAE 30—500

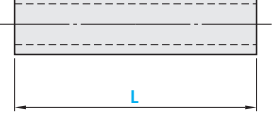
Days to Ship **Quotation**

Price **Quotation**

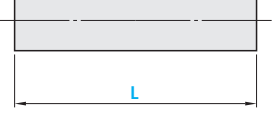
**Configurable full length type**



**AEX**



**CEX**



D	D <sub>T</sub>	d <sub>T</sub>	L <sub>T</sub>
8			
10			
15			
20	±0.2		±0.3
25		±0.2	
30			
40			
50	±0.3		±0.5
60			

Product guide P.1501 Shore A90

d	Catalog No.	D	L	Base unit price 1 ~ 19 pieces								
				1mm increments	L10 ~ 20	L21 ~ 40	L41 ~ 60	L61 ~ 80	L81 ~ 100	L101 ~ 150	L151 ~ 200	
—	CEX	8	10 ~ 200									
—		10										
7		15										
8.5	AEX	20										
11		25										
14		30										
	CEX	40										
	50											
	60											

Order **Catalog No.**  
AEX 20 — 52

Days to Ship **Quotation**

Price **Quotation**

URETHANE SPRINGS