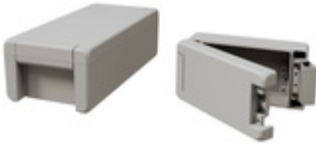


BA 241309-7035



Bocube Alu
Enclosure with smooth lid, light grey, hinged

Order no.: 00115235

Colour of enclosure group

Graphite grey, similar to RAL 7024; light grey, similar to RAL 7035; special colours on request

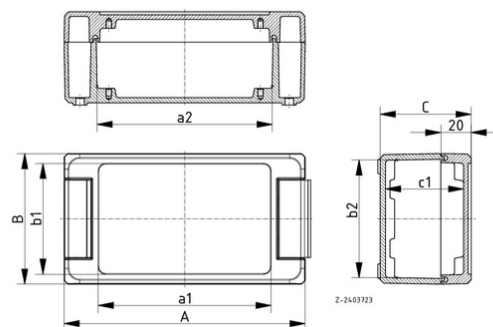
Protection class

IP 66 / IP 67 / IP 69 DIN EN 60529

Enclosure material

Enclosure: GD Al Si 12, seal PU foamed; Hinges / covers: Al Mg Si 0.5 powder-coated / natural-coloured anodised

Scope of delivery: enclosure incl. hinge and fixing material



A	259 mm
B	128 mm
C	90 mm
a1	- mm
a2	214,5 mm
b1	- mm
b2	118,5 mm
c1	83,5 mm

Technical drawings

Catalogue drawing in DXF format:

[00115235_BA-241309-7035.dxf](#) (3.0 MB)

Catalogue drawing in PDF format:

[00115235_BA-241309-7035.pdf](#) (239 KB)

3D product data in STEP format:

[Registration necessary](#)

Basic drawing for processing work:

[00115235_BA-241309-7035-G.dxf](#) (2.1 MB)

Assembly instructions

[Bocube Alu_00911501.pdf](#) (127 KB)

Chapter download

[Bocube Alu_GB.pdf](#) (1.7 MB)

* = Available on request