



Product information GSA-U 2000 N LO schwarz/black

Industrial Connecting Solutions:Rectangular Connectors:Valve Connectors (Type A -B -C):Type A:Receptacle Valve Connectors (DIN EN 175 301-803):GSA-U 2000 N LO schwarz/black

<http://www.e-catalog.beldensolutions.com/link/57078-24228-256261-256266-256270-276216-35139/en/conf/ui/state>

Name GSA-U 2000 N LO schwarz/black



molded appliance coupler (IP 65 enclosure) with 4 cross-head screws and solder lug for flexible cables

Delivery informations

Availability available

Product description

Description molded appliance coupler (IP 65 enclosure) with 4 cross-head screws and solder lug for flexible cables

Type GSA-U 2000 N LO schwarz/black

Order No. 933 378-100

Number of contacts 2 + PE

Standard DIN EN 175 301-803-A

Housing Color black

Construction type A

Technical data

Rated voltage AC/DC 400 V

Rated current 16 A

Contact resistance $\leq 4 \text{ m}\Omega$

Type of termination solder

Mounting screw

Material

Contact surface material Sn

Contact bearer material PA

Housing material PA

Environmental conditions

Protection class (IEC 60529) IP 65 (gasket necessary)

Pollution severity 3

Temperature range -40 °C to +125 °C

Inflammability class

Contact bearer 94 HB

Approvals

UR UR

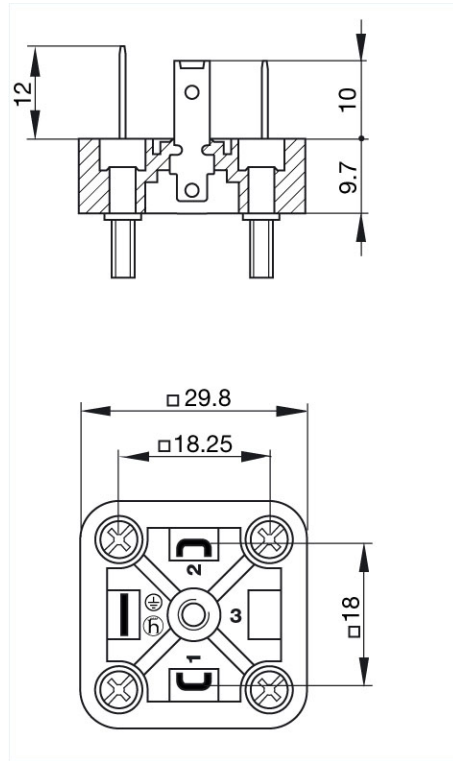
Packing unit

Packaging unit 200 pieces

Scope of delivery and accessories

Accessories to order separately (NBR) flat gasket GSA 200-4,
Order no. 730 843-002;
(EPDM) flat gasket GSA 200-7,
Order no. 730 268-003

Picture
Drawing



Belden Deutschland GmbH
Im Gewerbepark 2
58579 Schalksmühle
Germany
Phone: +49 7127/14-1806
E-Mail: icos-sales@belden.com

The information published in the websites has been compiled as carefully as possible. It is subject to alteration without notice in technical as well as in price-related/commercial respect. The complete information and data were available on user documentation. Mandatory information can only be obtained by a concrete query.