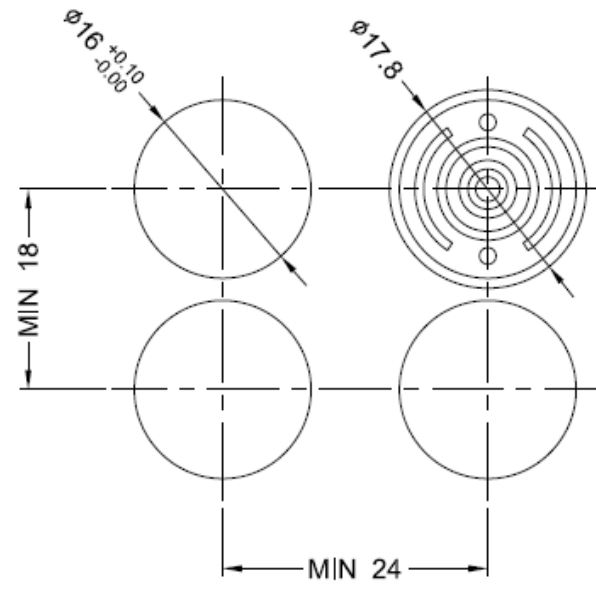
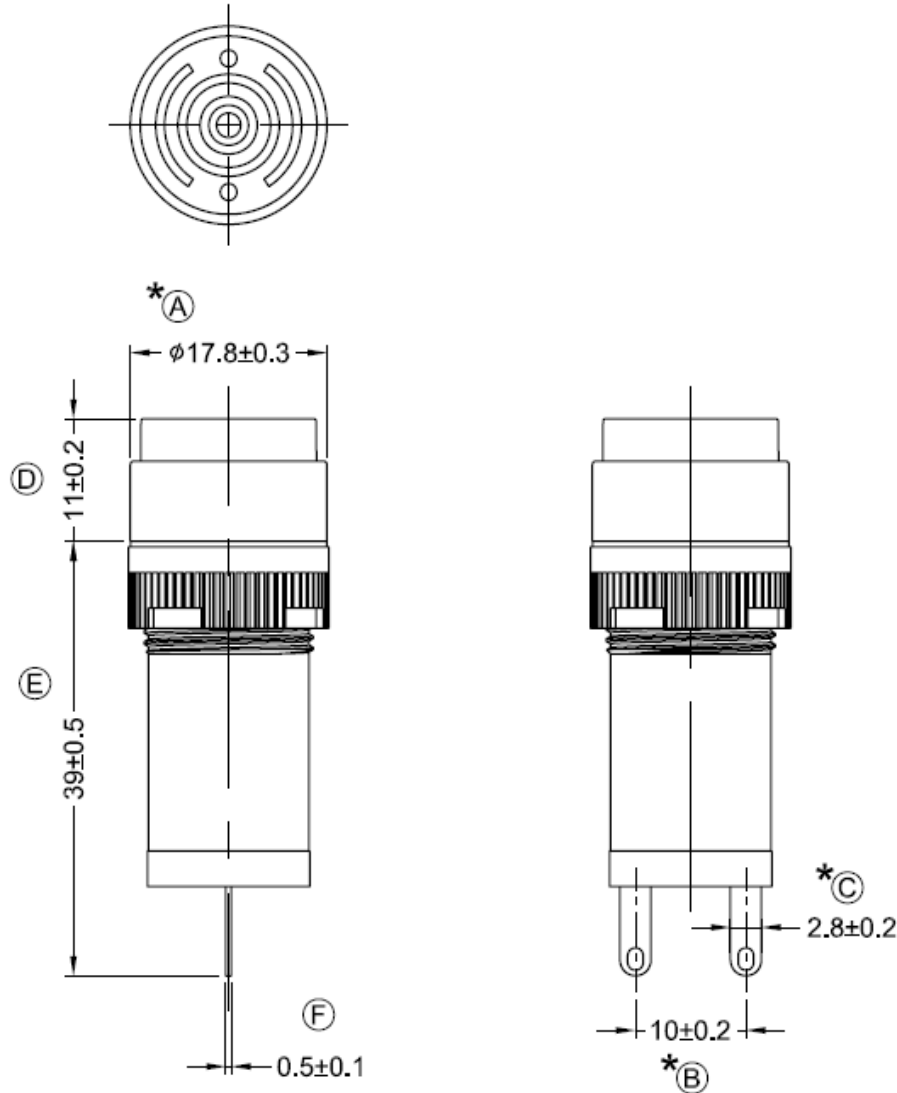


Type No:ADP16
 Order No:ADP16B4-0R0-0240

RoHS
 Compliant



PCB Layout

Current rating : 25mA DC12~24V
 Operation temperature : -25°C to +55°C
 Electrical lifetime : 1000hr
 Sound pressure : 80db
 Terminal : soldering type / plug-in type
 Wire range : 1x1.5mm² max.
 Cable range : 2x0.75mm² / 1x1.0mm² max.
 Voice : Intermittent tone

CONFIRMED & ACCEPTED BY: _____

C
 REV.

Distributed by Conrad Electronic SE

DECA [®]			PART NAME	UNIT	SCALE
			Terminal Blocks	MM	1 : 1
DESIGN	CHECK	APPROVE	DRAWING NO.	SHEET	
DATE	DATE	DATE	ADP16B4-0R0-0240	1 / 1	
2014/07/25	2014/07/25	2014/07/25			