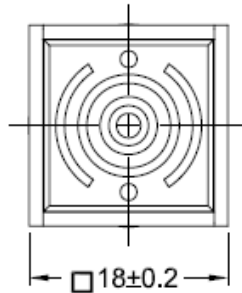
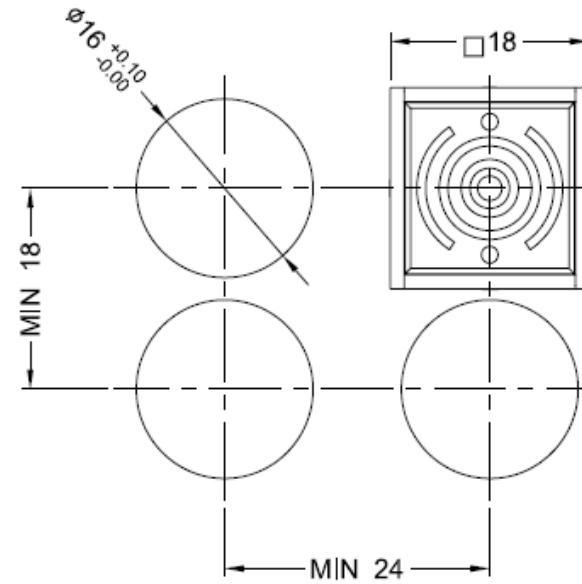


Type No:ADP16  
 Order No:ADP16B4-0S0-0240

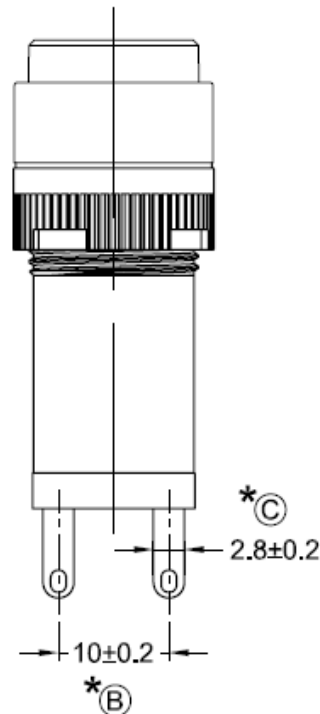
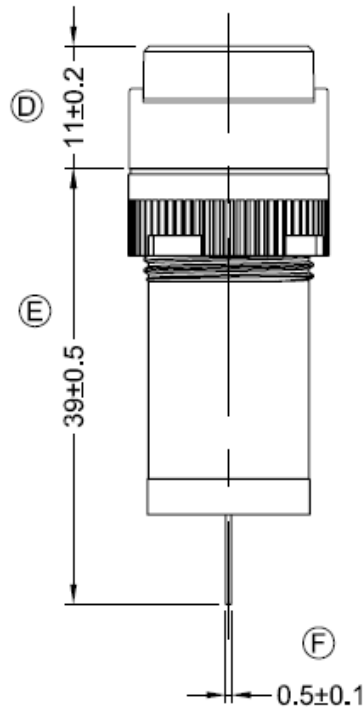
RoHS  
 Compliant



\*A



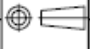
PCB Layout



Current rating : 25mA DC12~24V  
 Operation temperature : -25°C to +55°C  
 Electrical lifetime : 1000hr  
 Sound pressure : 80db  
 Terminal : soldering type / plug-in type  
 Wire range : 1x1.5mm<sup>2</sup> max.  
 Cable range : 2x0.75mm<sup>2</sup> / 1x1.0mm<sup>2</sup> max.  
 Voice : Intermittent tone

CONFIRMED & ACCEPTED BY:

Distributed by Conrad Electronic SE

<b>DECA</b> <sup>®</sup>			PART NAME	UNIT	SCALE
			Terminal Blocks	MM	1 : 1
DESIGN	CHECK	APPROVE	DRAWING NO.		SHEET
DATE 2014/07/25	DATE 2014/07/25	DATE 2014/07/25	ADP16B4-0S0-0240		1 / 1