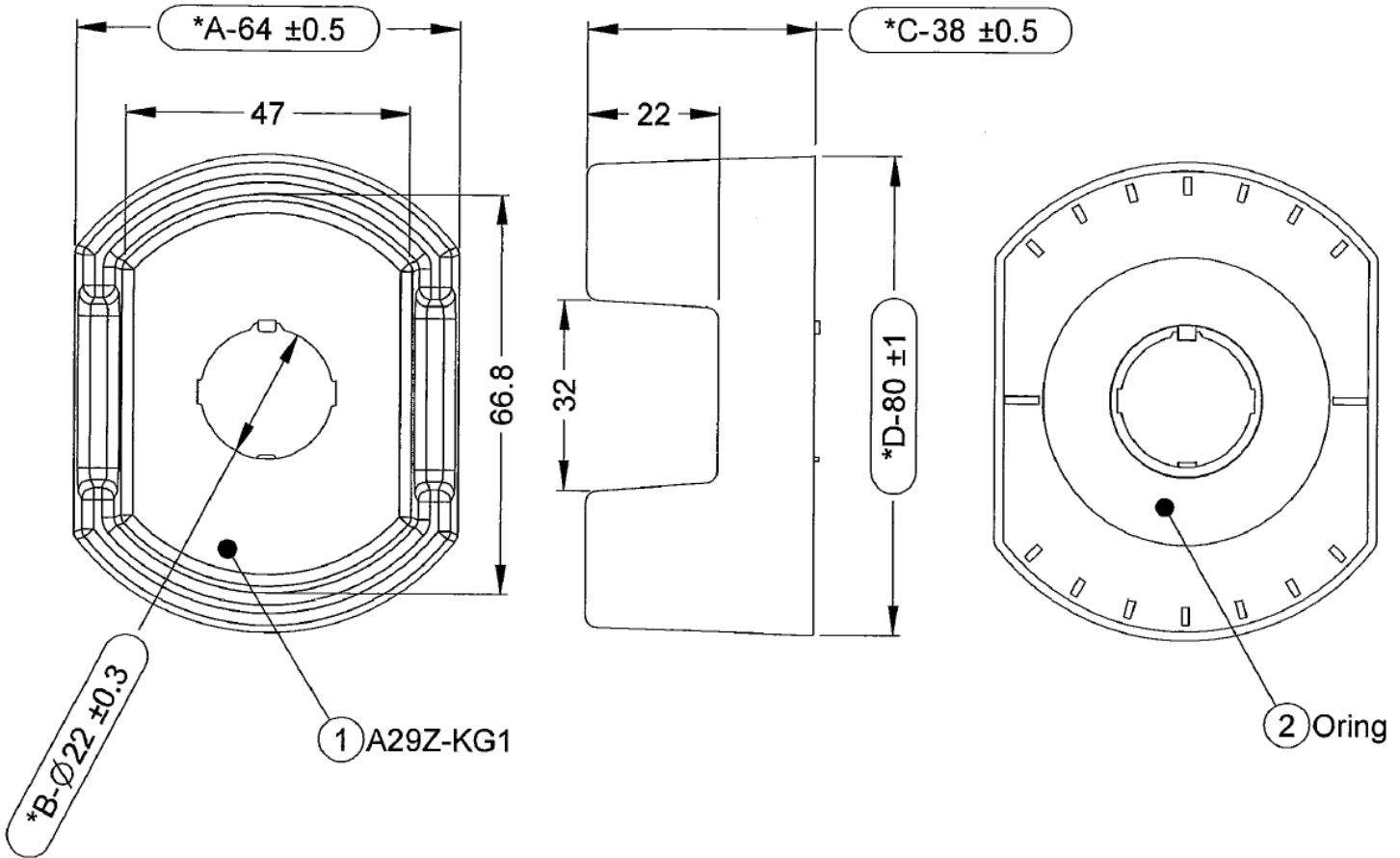


A29Z-KG 1



Degree of protection : IP65

for Mushroom $\phi 40$ mm Type with Emergency Stop Switches or Mushroom $\phi 40$ mm Type with Illuminated Emergency Stop Switches

	Material	Color
1	NY66	Yellow
2	NBR	Black

Distributed by Conrad Electronic SE

文件管制
NOV 06. 2012
文管中心

DECA[®] SwitchLab Switchlab INC.

CONFIRMED & ACCEPTED BY:

DRAWING NO.	A29Z-KG1				VERSION	B	CONFIRMED BY	<i>[Signature]</i>
SHEET OF	1/1	METRIC	MM	DRAWN BY	<i>Jm</i>	DATE	2012/11/06	GENERAL MANAGER