

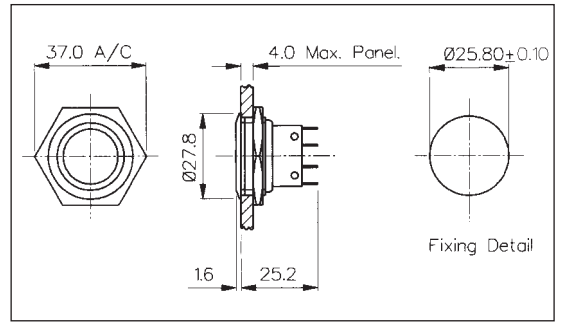
Stainless Steel Low Profile Vandal Resistant

FRONT PANEL MOUNTING



MP0027

- 28mm diameter
- S.P.C.O. Microswitch
- 5A, 250V a.c.

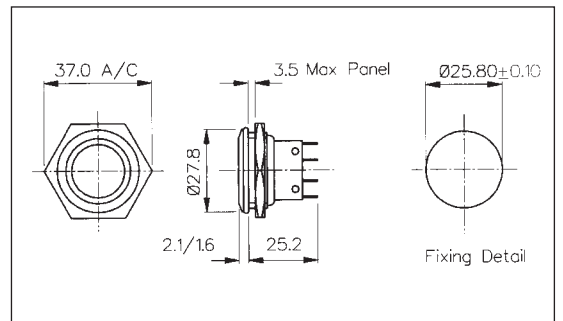


FRONT PANEL MOUNTING



MP0038
Sealed to IP66

- Front Panel Sealed to IP66
- 28mm diameter
- S.P.C.O. Microswitch
- 5A, 250V a.c.

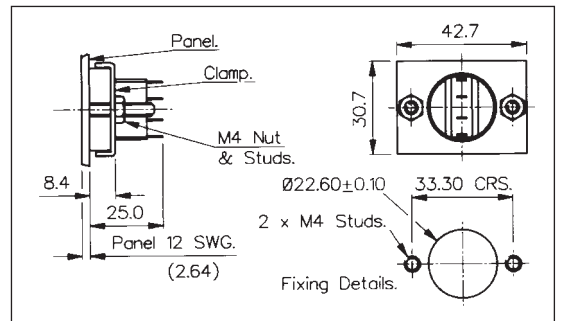


REAR PANEL MOUNTING



MP0025

- 22mm diameter
- S.P.C.O. Microswitch
- 5A, 250V a.c.



Specification	MP0027	MP0038	MP0025
Terminations:	Solder Tags	Solder Tags	Solder Tags
Switching:	S.P.C.O. Momentary Action (Microswitch)	S.P.C.O. Momentary Action (Microswitch)	S.P.C.O. Momentary Action (Microswitch)
Max. Rating:	5A, 250V a.c.	5A, 250V a.c.	5A, 250V a.c.
Contact Resistance:	<10mΩ	<10mΩ	<10mΩ
Insulation Resistance:	>10 ³ MΩ	>10 ³ MΩ.	>10 ³ MΩ
Dielectric Strength:	>2.0kV a.c.	>2.0kV a.c.	>2.0kV a.c.
Operating Temp. Range:	-20°C to +70°C	-20°C to +70°C	-20°C to +70°C
Sealing (Front of panel only):		Protection Classification: IP66 EN60529 1992 (Micro switch not sealed)	
Operations			
Mechanical:	1,000,000 (min)	1,000,000 (min)	1,000,000 (min)
Electrical:	35,000 (min)	35,000 (min)	35,000 (min)
Operating Pressure:	7.5N (typ)	12.5N (typ)	6.1N (typ)
Rear Nut Fixing Torque:	2.5Nm	1.13Nm	-
Materials			
Mouldings:	Glass Filled Nylon	Glass Filled Nylon	Glass Filled Nylon
Tags/Terminations:	Brass, Tin Plated	Brass, Tin Plated	Brass, Tin Plated
Switch Body & Button:	Stainless Steel	Stainless Steel	Stainless Steel
Contacts:	Fine Silver	Fine Silver	Fine Silver
Variants:	Engraved Button, Non-Rotating Button, details on request	Engraved Button, Non-Rotating Button, details on request	Engraved Button, Non-Rotating Button, details on request

Vandal Resistant Switches

ENGRAVING OPTIONS

The low profile and prominent vandal resistant switches MP0025, MP0027, MP0031, MP0034, MP0038, MP0025/2, MP0027/2, MP0031/2, MP0034/2 and MP0038/2 are also available with engraved non-rotating buttons.

0	1	2	3	4
5	6	7	8	9
10	11	12	13	14
15	16	17	18	19
20	A1*	A2*		

How to Order

MP00xx/1/xx

Switch Style

MP0025, MP0025/2, MP0027, MP0027/2, MP0031, MP0031/2, MP0034, MP0034/2, MP0038, MP0038/2

Non Rotating Button

Engraving option

0 - 20 Numeric
A1 = Up Arrow
A2 = Down Arrow

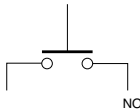
Examples

MP0031/1/A1 = MP0031 style switch, with non-rotating button engraved with an up arrow

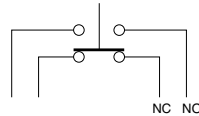
MP0027/2/1/13 = MP0027 style switch with prominent non-rotating button engraved with numeric characters 13

SWITCH OPERATION

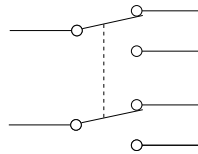
Switch Contact Operation



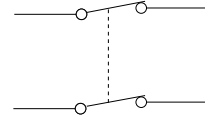
S.P. Push to Make
S.P.M.B.



S.P.C.O.



D.P.C.O.



D.P.M.B.