



# IP68 Sealed - Mini USB Buccaneer

The Mini USB Buccaneer provides a compact solution for USB connections in industrial environments.

Utilising the industry standard Mini 'B' connection for the panel connection, the latest in the USB Buccaneer range offers a secure secure, robust connection performing to USB V2.0, where dust or water could prove detrimental to system operation. The system is fully shielded providing good levels of noise immunity and EMI protection. Cables are fully overmoulded construction offering secure, tamper-proof connections.

## Features

IP68 rated	dust & waterproof to EN60529
USB V2.0	data rates up to 400Mbps
Shielded system	high noise immunity
Overmoulded cables	tamperproof construction
Screw coupling	secure, proven locking

## Specification

Sealing	IP68, to EN60529
Poles	5
Current rating	1A
Voltage rating	30Vac, 42Vdc
Contact plating	50 micron gold
Contact resistance	50mΩ
Mating cycles	5,000
Connector body	UL94V-0 rated
Temperature rating	0°C to +70°C
Performance	USB V2.0
RoHS	Compliant

## SEALED MINI USB CABLES - SINGLE ENDED



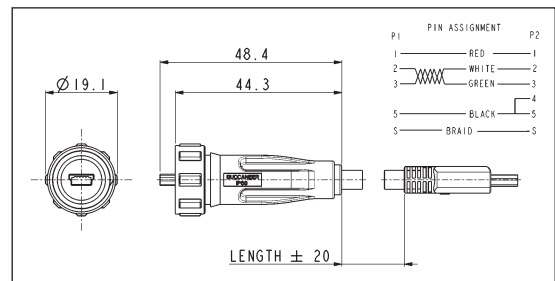
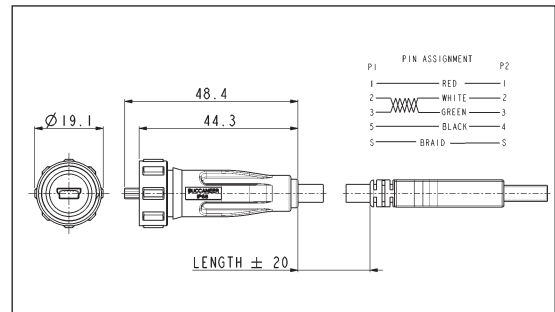
**PX0441**

- Standard 'A' type to sealed Mini 'B' type
- Fully overmoulded construction
- Available in 2, 3 & 4.5m lengths
- Mates with PX0443, PX0446 & PX0447



**PX0442**

- Mini 'A' type to sealed mini 'B' type
- Fully overmoulded construction
- Available in 2, 3 & 4.5m lengths
- Mates with PX0443, PX0446 & PX0447



Part No.	Description	Length
PX0441/2M00	IP68 mini 'B' to Std 'A' type USB	2.0m
PX0441/3M00	IP68 mini 'B' to Std 'A' type USB	3.0m
PX0441/4M50	IP68 mini 'B' to Std 'A' type USB	4.5m
PX0442/2M00	IP68 mini 'B' to Mini 'A' type USB	2.0m
PX0442/3M00	IP68 mini 'B' to Mini 'A' type USB	3.0m
PX0442/4M50	IP68 mini 'B' to Mini 'A' type USB	4.5m