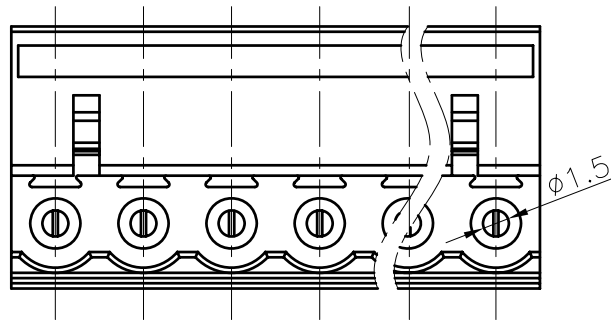
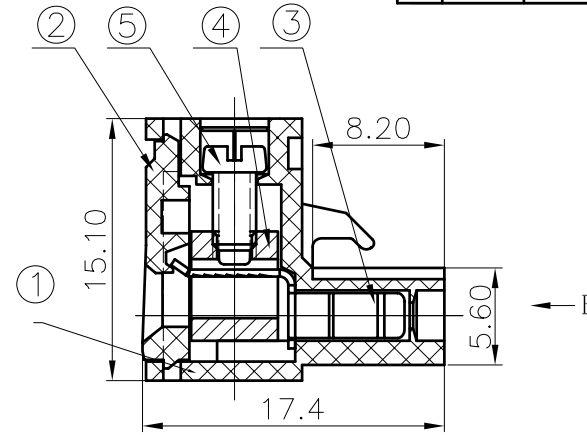
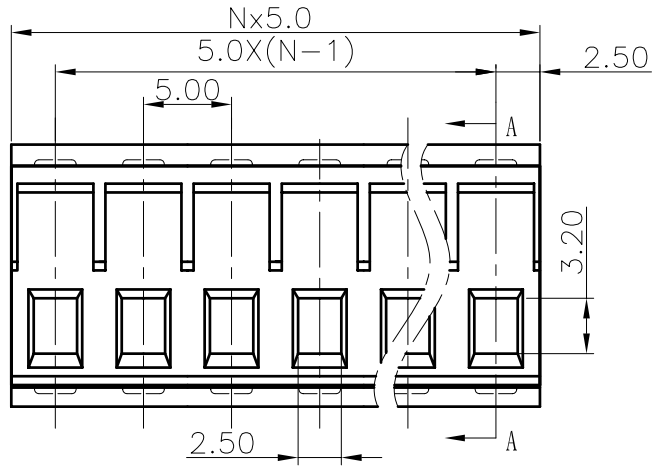


D1RFRD006

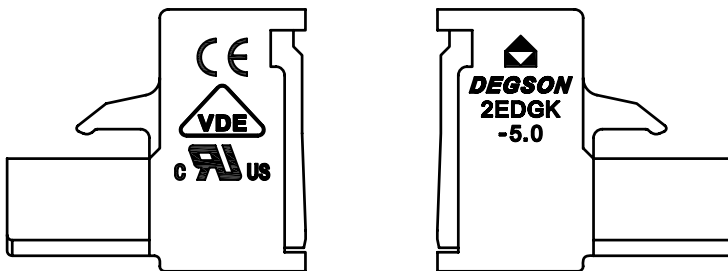
REVISION RECORD				
REV	ECN	DESCRIPTION	DRFT	DATE



VIEW-B

- NOTES:
1. PITCH: 5.0MM POLES: 2-24P
  2. RATED VOLTAGE/CURRENT: UL 300V/15A  
VDE 320V/20A
  3. INSULATION RESISTANCE: 5000MΩ/1000V
  4. WITHSTANDING VOLTAGE: AC2500V/1MIN
  5. WIRE RANGE: 28-12AWG 2.5MM<sup>2</sup>
  6. TEMP. RANGE: -40° C ~ +105° C
  7. TORQUE: 4.08KGF.CM
  8. UNDIMENSIONED TOLERANCES:

Pitch range in mm		Nominal dimension range in mm				—
to	over	to	over	to	over	—
6	6	10	10	30	30	150
10	10	24	30	60	100	150
±0.10	±0.15	±0.25	±0.2	±0.3	±0.5	±0.7 ± 1.0 0.05/10



5	2EDG "—"Screws-M2.5	S000001370(H)	XX	Steel	Cr <sup>3+</sup> Zn
4	DG128-Brass cage	X000000020(H)	XX	Brass	Ni plated
3	2EDG-Clamp	1005B00010(H)	XX	Phosphor bronze	Sn plated
2	2EDGK-5.0-Cover	1016C0YXXA(H)	1	PA66	UL94V-0

ITEM	NAME OF PART	NO. OF PART	Q*TY	MATERIAL	NOTES
1	DG500-5.0 Housing	4045A0YXXA(H)	1	PA66	UL94V-0

TOLERANCES EXCEPT AS NOTED		MATERIAL:			
FINISH:		PART NO.:			
.X ± .XX ± .XXX ±		.X' ± .XX' ± .XXX' ±		NAME:	
ANGLES ± 1°		APPD:		2EDGK-5.0-XXP-1Y-00A(H)	
THIRD ANGLE PROJECTION		CHKD:		TITLE: ASSEMBLY DRAWING	
DRFT: Haoyh 04/18/05		DO NOT SCALE DRAWING		SCALE: N/A	REV: T5
		SHEET: 1/1			