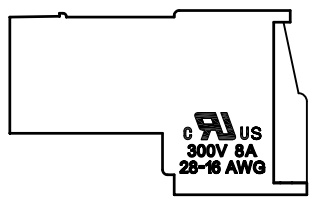
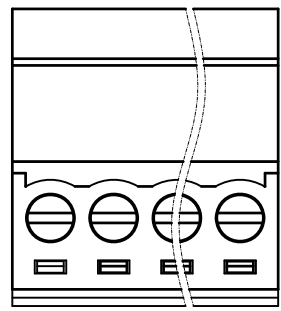


REVISION RECORD				
REV	ECN	DESCRIPTION	DRFT	DATE

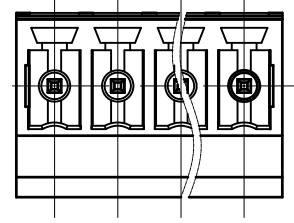
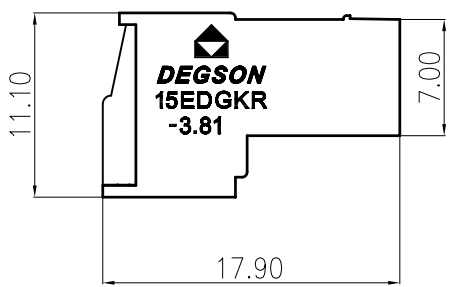
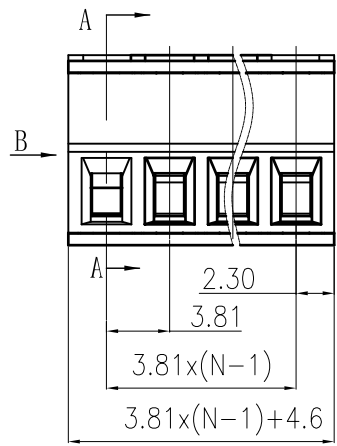
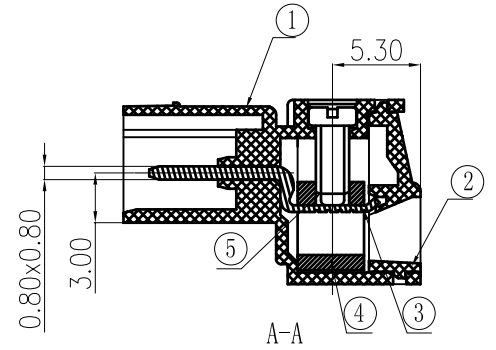


VIEW B



- NOTES:
1. PITCH: 3.81MM POLES: 2-16P
  2. RATED VOLTAGE/CURRENT: UL 300V/8A  
IEC 160V/8A
  3. INSULATION RESISTANCE: 5000MΩ/DC1000V
  4. WITHSTANDING VOLTAGE: AC2000V/1MIN
  5. WIRE RANGE: 28-16AWG 1.5MM<sup>2</sup>
  6. TEMP. RANGE: -40° C ~ +105° C
  7. UNDIMENSIONED TOLERANCES:

Pitch range in mm		Nominal dimension range in mm						—
to	over	to	over	to	over	to	to	
6	6	10	10	6	30	90	200	∩
6	10	24	24	6	30	90	200	∩
±0.10	±0.15	±0.25	±0.1	±0.2	±0.3	±0.5	±0.7	0.05/10



ITEM	NAME OF PART	NO. OF PART	Q'TY	MATERIAL	NOTES
5	15EDG- " " Screws	S000001360(H)	XX	Steel	Cr <sup>3+</sup> Zn
4	15EDG-Brass cage	X000000010(H)	XX	Brass	Ni plated
3	15EDGKR-Pin	1215B00010(H)	XX	Copper	SnCe plated
2	15EDGK-3.81-Cover	1010COYXXA(H)	1	PA66	UL94V-0

ITEM	NAME OF PART	NO. OF PART	Q'TY	MATERIAL	NOTES
1	15EDGKR-3.81-Housing	1215A0YXXA(H)	1	PA66	UL94V-0
TOLERANCES EXCEPT AS NOTED		FINISH:			
.X ±		.X' ±		PART NO.:	
.XX ±		.XX' ±		NAME:	
.XXX ±		.XXX' ±		15EDGKR-3.81-XXP-1Y-00A(H)	
ANGLES ± 1°		APPD:		TITLE: ASSEMBLY DRAWING	
THIRD ANGLE PROJECTION		CHKD:		DRAWING NO.: 15EDGKR-3.81-E01	
		DRFT: Zhuwm 12/14/07"		DO NOT SCALE DRAWING	
				SCALE: N/A	
				SHEET: 1/1	

H  
G  
F  
E  
D  
C  
B  
A

H  
G  
F  
E  
D  
C  
B  
A