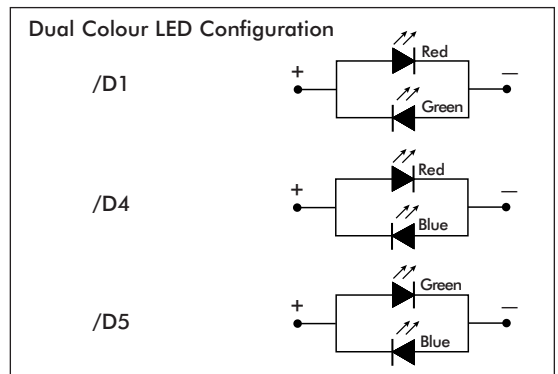
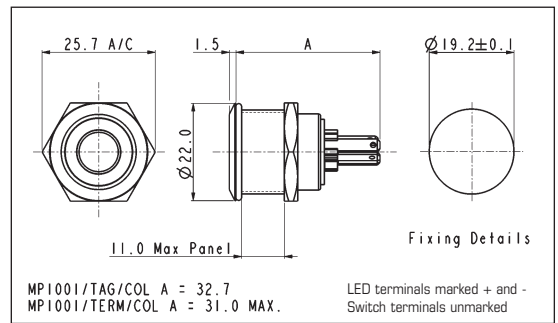


Stainless Steel Illuminated Vandal Resistant

FRONT PANEL MOUNTING



- Dot Illuminated
- 22mm diameter
- S.P. Push to Make
- 50mA, 24V dc contact rating
- Red, Green, Amber, Blue, White or Dual Colour Illumination
- Bright Daylight LEDs
- Separate LED Terminals



Specification

MPI001/Termination/Colour

| | | | | | | | | | | | |
|---|---|---------|--------|---------|--------|-------------|------------|--------------|--------|---------|---------|
| Terminations: | /28 (2.8mm tabs), /Term (screw terminals) | | | | | | | | | | |
| Switching: | S.P. Push to make, tactile | | | | | | | | | | |
| Max. Switch Rating: | 50mA, 24V d.c. | | | | | | | | | | |
| LEDs (ratings @ 20mA) | | | | | | | | | | | |
| Colours | Red | Green | Amber | Blue | White | Red / Green | Red / Blue | Blue / Green | | | |
| Luminous Intensity | 900mcd | 2500mcd | 900mcd | 1500mcd | 900mcd | 2500mcd | 5000mcd | 2000mcd | 850mcd | 2000mcd | 4000mcd |
| Forward Voltage* | 1.85V | 3.5V | 2.3V | 3.5V | 3.6V | 2.05V | 3.6V | 2.0V | 3.6V | 3.6V | 3.6V |
| Forward Current | 20mA | 20mA | 20mA | 20mA | 20mA | 20mA | 20mA | 20mA | 20mA | 20mA | 20mA |
| Part No. | /RD | /GN | /AM | /BL | /WH | /D1 | | /D4 | | /D5 | |
| *An appropriate resistor must be series connected by the user | | | | | | | | | | | |
| Contact Resistance: | <100mΩ | | | | | | | | | | |
| Insulation Resistance: | >10 ³ MΩ | | | | | | | | | | |
| Dielectric Strength: | Contact to Panel >2.0kV Contact to Contact 1500V | | | | | | | | | | |
| Operating Temp. Range: | -30°C to +70°C | | | | | | | | | | |
| Sealing (Front of panel only): | Protection Classification: IP66 EN60529 1992 | | | | | | | | | | |
| Operations | | | | | | | | | | | |
| Mechanical: | 750,000 (min) | | | | | | | | | | |
| Electrical: | 35,000 (min) | | | | | | | | | | |
| Operating Pressure: | 12N | | | | | | | | | | |
| Rear Nut Fixing Torque: | 0.57Nm | | | | | | | | | | |
| Materials | | | | | | | | | | | |
| Switch assembly: | UL94V-0 rated Polyamide (Nylon) | | | | | | | | | | |
| Tags: | Copper Alloy | | | | | | | | | | |
| Terminals: | Copper Alloy | | | | | | | | | | |
| Switch Body & Button: | Stainless Steel | | | | | | | | | | |
| Lens and Lens Body: | Polycarbonate | | | | | | | | | | |
| O ring: | Nitrile | | | | | | | | | | |
| Internal seal: | Silicone | | | | | | | | | | |
| Contact Plate: | Gold Plated | | | | | | | | | | |
| ESD Handling precautions must be taken | | | | | | | | | | | |
| Compliant | | | | | | | | | | | |

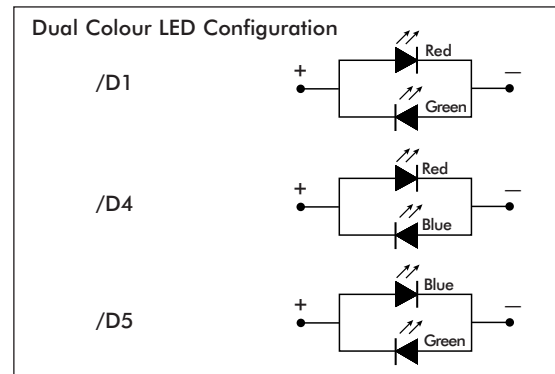
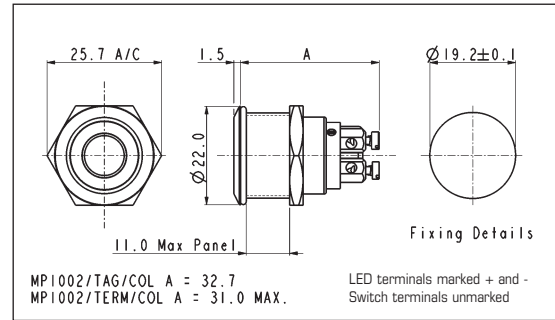


Stainless Steel Illuminated Vandal Resistant

FRONT PANEL MOUNTING



- Ring Illuminated
- 22mm diameter
- S.P. Push to Make
- 50mA, 24V dc contact rating
- Red, Green, Amber, Blue, White or Dual Colour Illumination
- Bright Daylight LEDs
- Separate LED Terminals



Specification

MPI002/Termination/Colour

| | | | | | | | | | | |
|-----------------------|--|---------|--------|---------|--------|-----------------|----------------|-----------------|--|--|
| Terminations: | /28 (2.8mm tabs), /Term (screw terminals) | | | | | | | | | |
| Switching: | S.P. Push to make, tactile | | | | | | | | | |
| Max. Switch Rating: | 50mA, 24V d.c. | | | | | | | | | |
| LEDs (ratings @ 20mA) | | | | | | | | | | |
| Colours | Red | Green | Amber | Blue | White | Red / Green | Red / Blue | Blue / Green | | |
| Luminous Intensity | 900mcd | 2500mcd | 900mcd | 1500mcd | 900mcd | 2500mcd 5000mcd | 2000mcd 850mcd | 2000mcd 4000mcd | | |
| Forward Voltage* | 1.85V | 3.5V | 2.3V | 3.5V | 3.6V | 2.05V 3.6V | 2.0V 3.6V | 3.6V 3.6V | | |
| Forward Current | 20mA | 20mA | 20mA | 20mA | 20mA | 20mA | 20mA | 20mA | | |
| Part No. | /RD | /GN | /AM | /BL | /WH | /D1 | /D4 | /D5 | | |

*An appropriate resistor must be series connected by the user

| | |
|--------------------------------|---|
| Contact Resistance: | <100mΩ |
| Insulation Resistance: | >10 ³ MΩ. |
| Dielectric Strength: | Contact to Panel >2.0kV Contact to Contact 1500V |
| Operating Temp. Range: | -30°C to +70°C |
| Sealing (Front of panel only): | Protection Classification: IP66 EN60529 1992 |
| Operations | |
| Mechanical: | 750,000 (min) |
| Electrical: | 35,000 (min) |
| Operating Pressure: | 12N |
| Rear Nut Fixing Torque: | 0.57Nm |
| Materials | |
| Switch assembly: | UL94V-0 rated Polyamide (Nylon) |
| Tags: | Copper Alloy |
| Terminals: | Copper Alloy |
| Switch Body & Button: | Stainless Steel |
| Lens and Lens Body: | Polycarbonate |
| O ring: | Nitrile |
| Internal seal: | Silicone |
| Contact Plate: | Gold Plated |

ESD Handling precautions must be taken

Compliant



RoHS