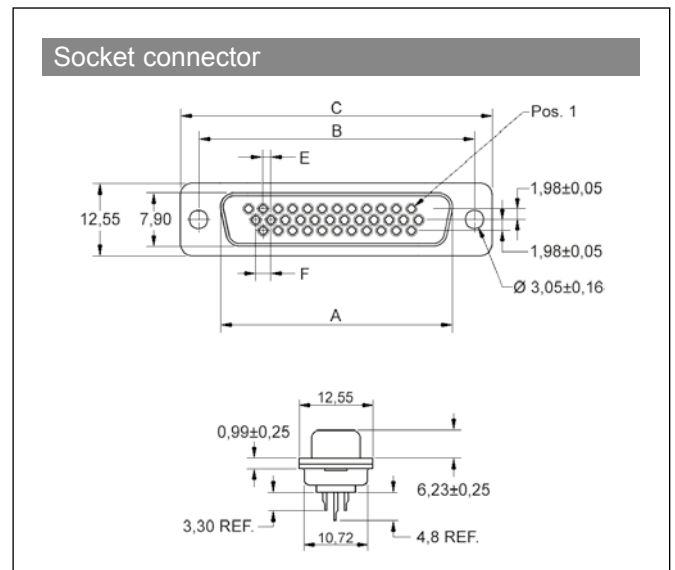
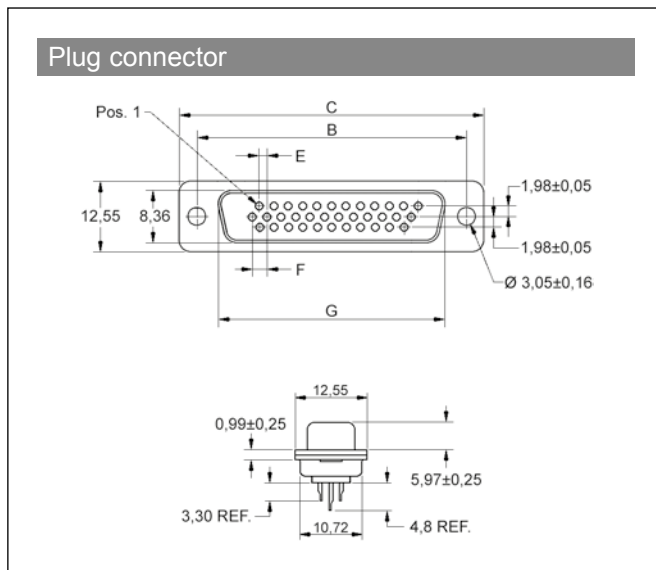


MH-HDS-Series – Solder Cup

Material Specification:

- Insulator: Glass filled Polyester, Black
UL94 V-0
- Shell: Stamped Steel, Tin Plated
- Contacts: **Stamped & Formed Pins:** Copper Alloy
100 inserts min.
- Machined Pins:** Copper Alloy
500 inserts min.
- Contact Plating: Selective Gold over Nickel



Size	A	B	C	E	F	G
HD15	16,33	24,99	30,81	1,145	2,99	16,62
HD26	24,66	33,32	39,14	1,145	2,99	25,25
HD44	38,38	47,04	53,04	1,145	2,99	38,96
HD62	54,84	63,50	69,32	1,205	2,41	55,25

Order Codes:

Plug Connector	Stamp & Formed
15 2101-0300-01	MHHDS-15-M-T-B-S
26 2101-0300-02	MHHDS-26-M-T-B-S
44 2101-0300-03	MHHDS-44-M-T-B-S
62 2101-0300-04	MHHDS-62-M-T-B-S

Plug Connector	Machined Contacts
15 2101-0400-01	MHHDS-15-M-T-B-M
26 2101-0400-02	MHHDS-26-M-T-B-M
44 2101-0400-03	MHHDS-44-M-T-B-M
62 2101-0400-04	MHHDS-62-M-T-B-M

Socket Connector	Stamp & Formed
15 2101-0300-11	MHHDS-15-F-T-B-S
26 2101-0300-12	MHHDS-26-F-T-B-S
44 2101-0300-13	MHHDS-44-F-T-B-S
62 2101-0300-14	MHHDS-62-F-T-B-S

Socket Connector	Machined Contacts
15 2101-0400-11	MHHDS-15-F-T-B-M
26 2101-0400-12	MHHDS-26-F-T-B-M
44 2101-0400-13	MHHDS-44-F-T-B-M
62 2101-0400-14	MHHDS-62-F-T-B-M