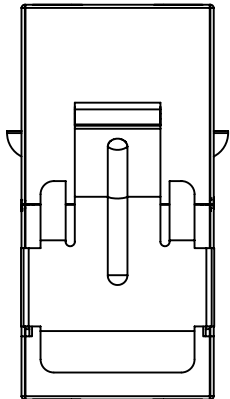
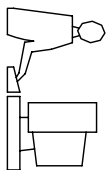
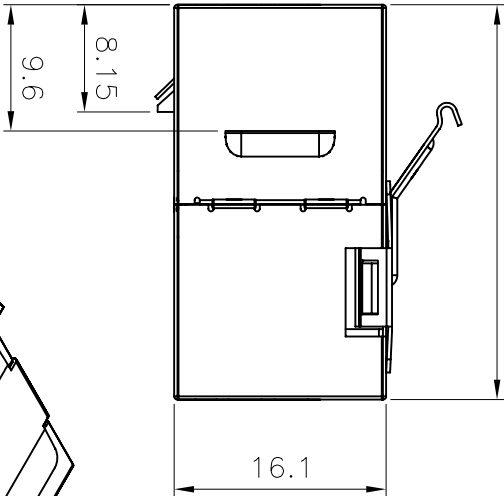


THIS IS A C.A.D. GENERATED DRAWING  
DO NOT MAKE MANUAL REVISIONS TO MASTER.

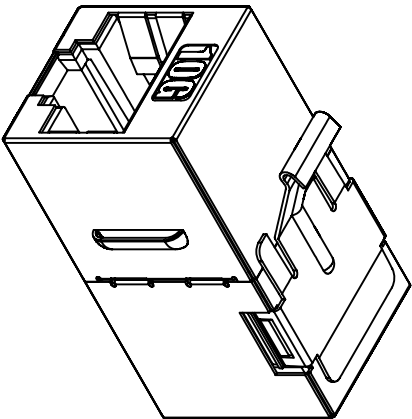
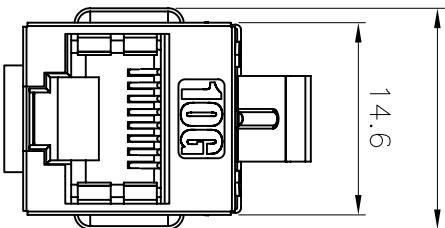


30

16.1



16.8



\* UNLESS OTHERWISE SPECIFIED TOLERANCES  
ON DECIMAL IS: ANGLE  $\pm 1^\circ$   
UNIT: MM .XX  $\pm 0.35$



**Electrical specification:**

- Insulation resistance: 500M $\Omega$
- Dielectric withstanding voltage: 1000V AC
- DC current rating: 1.5A
- DC resistance: 0.1 $\Omega$
- Contact resistance: 20m $\Omega$

**Physical specification:**

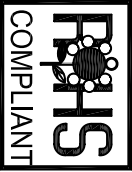
- Shielded case: Stainless steel
- Coupler housing: polycarbonate resin high - impact UL94V-0 Thermoplastic
- Spring wire: phosphor bronze with Gold over Nickel undercoat
- Insertion life: 750 mating cycles with FCC compliant RJ45 plug
- Plug retention force: 11lbf min
- Operating temperature: -10°C to 60°C
- Humidity: 10%~90%RH

**Standard Verification:**

- ANSI/TIA-568-B-2-1-10 channel compliant
- FCC part 68.5, Subpart F compliant
- ISO/IEC 11801 Class EA channel compliant
- UL 1863

THESE DRAWINGS AND SPECIFICATIONS ARE THE PROPERTY OF MH CONNECTORS LTD. AND SHALL NOT BE REPRODUCED, COPIED OR USED AS THE BASIS FOR THE MANUFACTURE OR SALE OF APPARATUS WITHOUT WRITTEN PERMISSION.

DRAWN	DATE
Johnny	09-18-12
APPROVED	DATE



THIS SERIES FULLY CONFORMS TO THE  
EUROPEAN UNION DIRECTIVES 2002/95/EC  
AND 2002/96/EC FOR ROHS COMPLIANCY.



RJ45 FULLY SHIELDED COUPLER PANEL  
MOUNTED CAT6A OFFSET PIN.

SCALE	SHEET OF	REV:
	1 DF 1	1.0
DRAWING No		
39-763635952		