

Data sheet

Industry IP67 V4 plug housing bend protected

Page 1/6

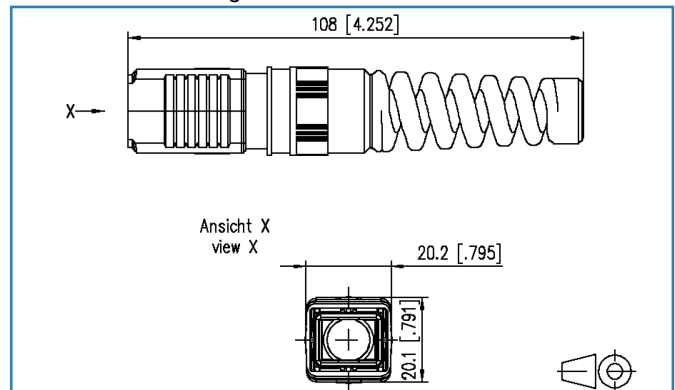
P/N
1401055002KE
EAN 4250184114017

2017-13-04

Illustrations



Dimensional drawing



See enlarged drawings at the end of document



Product specification

- plug housing with push-pull-lock acc. to ISO/IEC 24702 and IEC 61076-3-106 var. 4
- IP67 protected housing to hold Industry plug inserts
- increased diameter range of 10 mm for connection of cable jackets
- resistant to welding sputter
- industry-compatible plastic housing with improved durability
- flammability class as per UL 94V-0
- improved resistance to chemical substances
- labeling on plug housing
- snap-on clip for color coding after assembly
- cable can be pushed through preassembled plug housing
- matching plug inserts: E-DAT Industry RJ45 field plug insert, E-DAT Industry RJ45 plug insert, OpDAT Industry 2LC plug insert, OpDAT Industry 2SC plug insert
- variants: plug housing, bend-protected plug housing

Industry IP67 V4 plug housing bend protected

P/N

1401055002KE

EAN 4250184114017

2017-13-04

Technical Data

General Data

Fields of application	Harsh environment
Design	Plug housings
Color	black
Dimensions	
Dimension (L x W x H)	108.00 x 20.20 x 20.1 mm
Dimension (L x W x H)	4.252 x 0.795 x 0.791 in.
Labeling option	on housing
Marking option	by latching clip

Connections/interfaces

Number of ports interface 2	1
Number of ports interface 2 equipped	0
Protective housing interface 1	V4
Protective housing interface 2	V4
Cable sheath diameter (min. - max.)	
Cable sheath diameter	5.00 - 10.00 mm
Cable sheath diameter	0.197 - 0.394 in.
Module plug-in direction	straight
Cable access/outlet	180°

Mechanical characteristics

Locking method (protective housing)	Push Pull
Life - Number of mating cycles	min. 750
Strain relief	PG gland

Materials and material properties

Material - Protective housing	PA UL94 V0
Material - Protective housing seal	EPDM (ethylene-propylene-diene)
Material - Moulded seal	NBR (nitrile butadiene rubber)
Halogen free	yes



Technical Data

Environmental conditions

Temperature (min. - max.)	
Temperature - Storage °C	-40 - 70 °C
Temperature - Storage °F	-40 - 158 °F
Temperature - Operating °C	-40 - 70 °C
Temperature - Operating °F	-40 - 158 °F
Particulate ingress	IP6X
Liquid ingress/immersion	IPX6 and IPX7
Rapid change of temperature	-40°C / -40°F - +70°C / +158°F / 25 cycles t=30min
Damp heat	+25°C / +77°F / +65°C / 149°F / 93% RH // -10°C / 14°F / 21 cycles
Salt spray fog test (NSS Test)	+35°C / +95 / 4 days 5% NaCL
Resistance to welding beads	yes
Increased robustness	yes
Increased chemical resistance	yes

Approvals

RoHS	compliant
UL listed (file no.)	DUXR.E178484



The product meets the following standards

Generic cabling systems	
Industrial area	ISO/IEC 24702
Expansion of Communication Circuit Accessories (DUXR) Category	UL 1863
Degrees of Protection Provided by Enclosures	IEC 60529
Connectors for electronic equipment	
Rectangular connectors	DIN EN 61076-3-106

Industry IP67 V4 plug housing bend protected

P/N

1401055002KE

EAN 4250184114017

2017-13-04

Technical Data**Classifications**

ETIM 5.0	EC001121
ETIM 6.0	EC001121

Packing details

Type of packaging	5 pc(s) / box
Packaging unit - Weight (gram)	171.00 g
Packaging unit - Weight (pound)	0.38 lb
Packaging dimension (W x H x D)	247.00 x 161.00 x 58.00 mm
Packaging dimension (W x H x D)	9.724 x 6.339 x 2.283 in.



Industry IP67 V4 plug housing bend protected

P/N

1401055002KE

EAN 4250184114017

2017-13-04

Accessories

P/N	Designation
1401500810-I	E-DAT Industry RJ45 plug insert Cat.6 Class E _A
1401400810-I	E-DAT Industry RJ45 field plug insert Cat.6 Class E _A
1402500820-I	OpDAT Industry 2SC MM plug insert
1401048002KI	Industry IP67 V4 plug protective cap
1402600820-I	OpDAT Industry 2SC SM plug insert
1402700820-I	OpDAT Industry 2SC POF plug insert
1402800820-I	OpDAT Industry 2LC MM plug insert
1402900820-I	OpDAT Industry 2LC SM plug insert
1401009001-I	Industry color coding ring V1/V4/V14 orange
1401009003-I	Industry color coding ring V1/V4/V14 light grey
1401009004-I	Industry color coding ring V1/V4/V14 white
1401009005-I	Industry color coding ring V1/V4/V14 yellow
1401009006-I	Industry color coding ring V1/V4/V14 blue
1401009007-I	Industry color coding ring V1/V4/V14 green
1402500822-I	OpDAT Industry 2SC MM plug insert
1402600822-I	OpDAT Industry 2SC SM plug insert
1402700822-I	OpDAT Industry 2SC POF plug insert



Data sheet
Industry IP67 V4 plug housing bend protected

Page 6/6

P/N
1401055002KE
EAN 4250184114017

2017-13-04

Illustrations

Dimensional drawing

