

Data sheet

E-DAT Industry RJ45 plug insert Cat.6 Class E_A

Page 1/6

P/N

1401500810-I

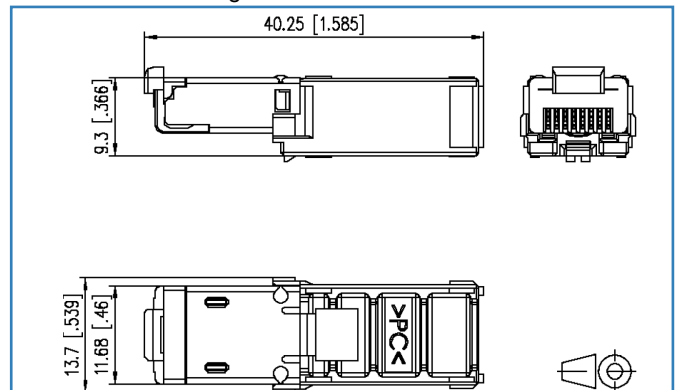
EAN 4250184114109

2017-13-04

Illustrations



Dimensional drawing



See enlarged drawings at the end of document



Product specification

- Cat.6 class E_A plug to be mounted in IP67 plug housings of variants 1, 4, 5 and 14
- compliance with class E_A to ISO/IEC 11801 Ed.2.2:2011-06, DIN EN 50173-1:2011-09
- suitable for 10 GBit Ethernet(IEEE 802.3an), Remote Powering (PoE, PoE plus and UPoE) and HDBaseT
- connection of AWG 27/7 - 24/7 and AWG 24/1 possible
- solid copper wire diameter from 0.36 to 0.51 mm
- solid copper wire diameter from 0.46 to 0.61 mm
- conductor diameter 0.85 mm to 1.05 mm
- cable jacket up to 7.3 mm
- without lock lever
- connection of crimp contacts and shield in one step using crimping tool
- color may differ from figure

Technical Data

General Data

Fields of application	Industrial Ethernet
Design	Plugs
Shielding	unshielded
Transmission technology	Copper
Dimensions	
Dimension (L x W x H)	40.25 x 13.7 x 9.30 mm
Dimension (L x W x H)	1.585 x 0.539 x 0.366 in.
Labeling option	firmly printed label areas

Transmission characteristics

Category (ISO)	6
Class (ISO/IEC)	E _A
Category (TIA)	6
Remote Powering	yes
PoE	IEEE 802.3af
PoE plus	IEEE 802.3at
UPoE	yes
HDBaseT	yes
Transmission rate up to 10 GBit	IEEE 802.3an

Connections/interfaces

Connector technology interface 1	IDC-connection
Connector technology interface 2	RJ45 plug
Number of ports interface 2	1
Number of ports interface 2 equipped	1
Number of positions/contacts interface 1	8
Number of positions/contacts interface 2	8P/8C
Termination data, solid wire (min. - max.)	
Conductor cross section, solid wire	AWG 26/1 - 24/1
Conductor cross section, solid wire	0.128 - 0.205 mm ²
Conductor diameter, solid wire (bare copper)	0.409 - 0.511 mm
Conductor diameter, solid wire (bare copper)	0.016 - 0.020 in.



Technical Data

Connections/interfaces

Termination data, stranded wire (min. - max.)

Conductor cross section, stranded wire	AWG 27/7 - 24/7
Conductor cross section, stranded wire	0.111 - 0.227 mm ²
Conductor diameter, stranded wire (bare copper)	0.457 - 0.610 mm
Conductor diameter, stranded wire (bare copper)	0.018 - 0.024 in.
Core diameter (min. - max.)	
Core diameter (conductor with insulation)	0.85 - 1.05 mm
Core diameter (conductor with insulation)	0.033 - 0.041 in.
Cable sheath diameter (min. - max.)	
Cable sheath diameter	7.30 mm
Cable sheath diameter	0.287 in.
Cable access/outlet	180°

Electrical characteristics

Current carrying capacity	max. 1 A
Contact resistance	max. 20 mOhm
Insulation resistance	min. 500 MOhm
Dielectric strength conductor-conductor (secondary)	min. 1000 V DC

Mechanical characteristics

Mounting method	snap-in function
Insertion and withdrawal force	max. 30 N

Materials and material properties

Material - Housing	PC UL94-V0
Material - Contact	PhBr (phosphor bronze)
Material - Contact finish	Ni + Au (nickel-gold)
Material - Shield	brass
Material - Shield finish	Ni (nickel)
Material - Latch	Plastics



Technical Data

Environmental conditions

Temperature (min. - max.)	
Temperature - Storage °C	-40 - 70 °C
Temperature - Storage °F	-40 - 158 °F
Temperature - Operating °C	-40 - 70 °C
Temperature - Operating °F	-40 - 158 °F
Rapid change of temperature	-40°C / -40°F - +70°C / 158°F / 25 cycles t=30 min
Damp heat	+25°C / +77°F / +65°C / +149°F / 93% RH // -10°C / -14°F / 21 cycles
Flowing mixed gas	+25 °C / +77°F / 73% RH / 4 days, H2S / SO2
Electromagnetic measurement	E ₁
Vibration	50 m/s ²
Shock	250 m/s ²

Approvals

RoHS	compliant
UL listed (file no.)	 DUXR.E178484

The product meets the following standards

Generic cabling systems	
General requirements	ISO/IEC 11801 Ed.2.2: 2011-06 DIN EN 50173-1: 2011-09 TIA/EIA 568-C
Expansion of Communication Circuit Accessories (DUXR) Category	UL 1863
Connectors for electronic equipment	
Free and fixed connectors	DIN EN 60603-7-41:2011-01
Interference proof	
Immunity for industrial environments	DIN EN 61000-6-2:2006-03
Emission proof	
Electromagnetic emission for residential, commercial and light-industrial environments	DIN EN 61000-6-3:2011-09
Climate tests	IEC 60512-11

E-DAT Industry RJ45 plug insert Cat.6 Class E_A

P/N

1401500810-I

EAN 4250184114109

2017-13-04

Technical Data**Classifications**

ETIM 5.0	EC001121
ETIM 6.0	EC001121

Packing details

Type of packaging	10 pc(s) / box
Packaging unit - Weight (gram)	82.00 g
Packaging unit - Weight (pound)	0.18 lb
Packaging dimension (W x H x D)	250.00 x 105.00 x 89.00 mm
Packaging dimension (W x H x D)	9.843 x 4.134 x 3.504 in.



Illustrations

Dimensional drawing

