

## TECHNICAL SPECIFICATIONS

<b>Material:</b>	Zinc, Nickel Plated
<b>Operating Temperature:</b>	-40°C to +120°C
<b>Cable Entry:</b>	Top Entry
<b>Thumbscrews:</b>	UNC 4-40 (Standard) M2,5 or M3 on request
<b>Cable O.D.:</b>	Up to 13mm
<b>Accessories:</b>	See page 186-190
<b>Assembly Instruction:</b>	See page 199-201

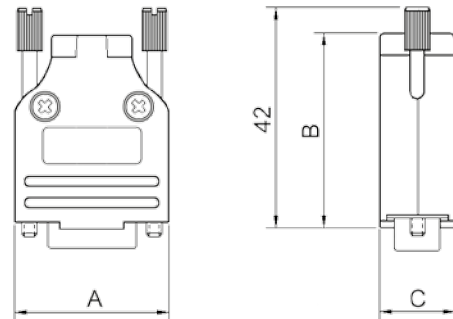


### Features:

- Available in sizes 9-15-25-37
- 360° EMI Shielding
- 3 versions of same concept
- Quick assembly
- Supports all types of cables
- Suitable for any common D-Sub connector

### Types available:

- MHC: Crimp Version
- MHDM: Metalized Grommet Kit + Clamp
- MHEE: Metalized Cone + Clamp



Size:	Dim A	Dim B	Dim C
9-way	32,2	41,3	15,4
15-way	40,6	43,3	15,4
25-way	54,5	49,5	15,4
37-way	70,7	54,3	15,4

## Ordering information:

Size:	P/N - Kitted:	Product Code:
9-way	6560-0135-01	MHC-9-K
15-way	6560-0135-02	MHC-15-K
25-way	6560-0135-03	MHC-25-K
37-way	6560-0135-04	MHC-37-K

Size:	P/N - Kitted:	Product Code:
9-way	6560-0136-01	MHDM-9-K
15-way	6560-0136-02	MHDM-15-K
25-way	6560-0136-03	MHDM-25-K
37-way	6560-0136-04	MHDM-37-K

Size:	P/N - Kitted:	Product Code:
9-way	6560-0137-01	MHEE-9-K
15-way	6560-0137-02	MHEE-15-K
25-way	6560-0137-03	MHEE-25-K
37-way	6560-0137-04	MHEE-37-K

### MHC-Series



Size:	P/N:	Product Code:
5,3mm	6522-0119-11	MHC-5,3
6,0mm	6522-0119-12	MHC-6,0
7,0mm	6522-0119-13	MHC-7,0
7,5mm	6522-0119-14	MHC-7,5
8,6mm	6522-0119-15	MHC-8,6

### MHDM-Series



Included when ordering

### MHEE-Series



Included when ordering