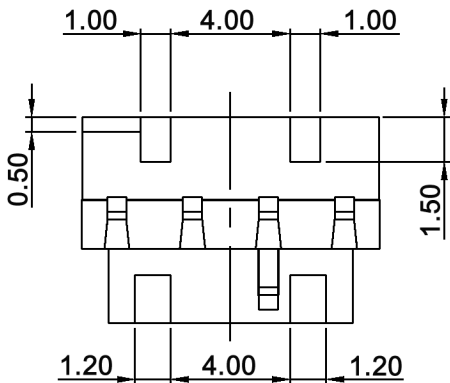
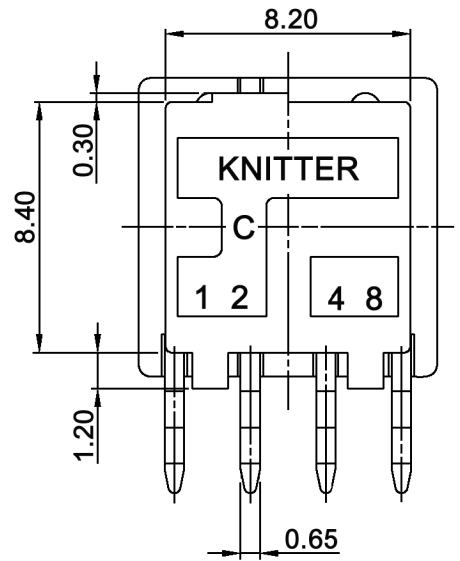
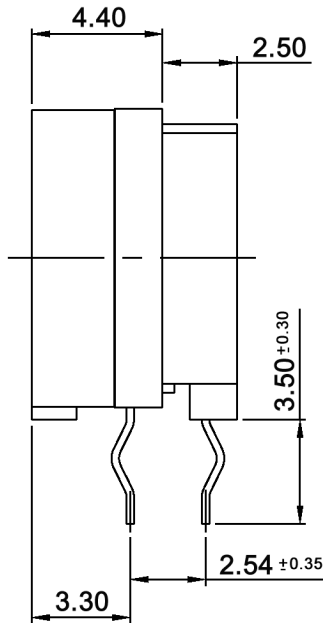
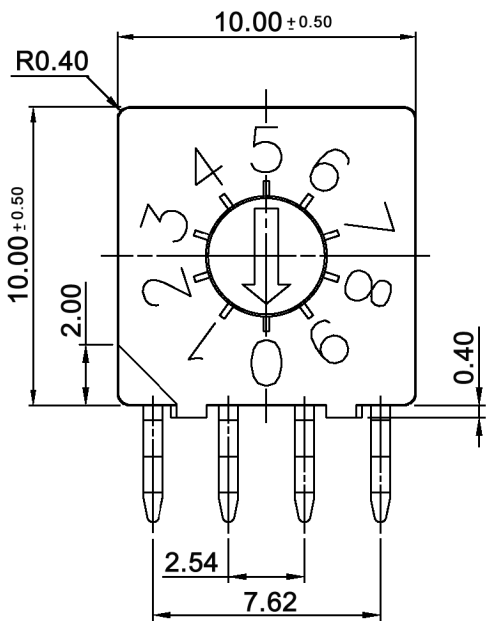
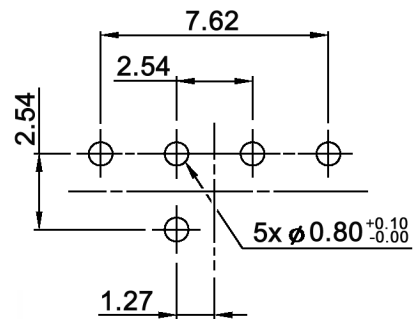


DRR 3000:



P.C.B. LAYOUT



Tolerances:	Date	Name
	05/84	Ey
Revised	08/09	dr
Operating temperature	04/08	dr
RoHS compliant	09/05	dr
Modifications	Date	Name

DRR 3000 / DRR 4000

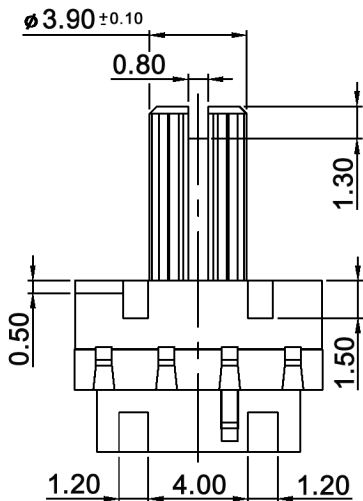
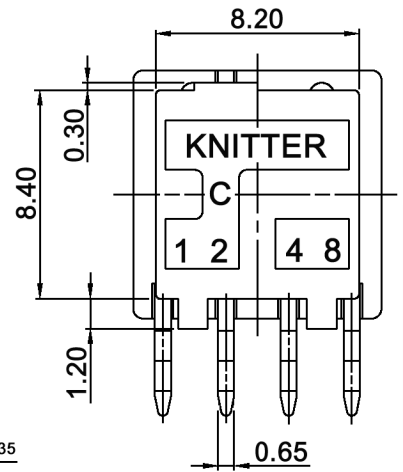
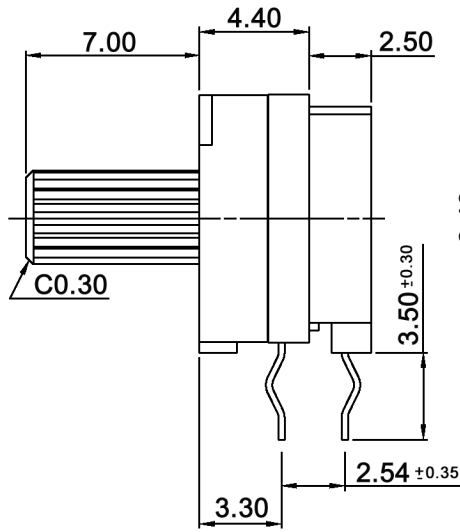
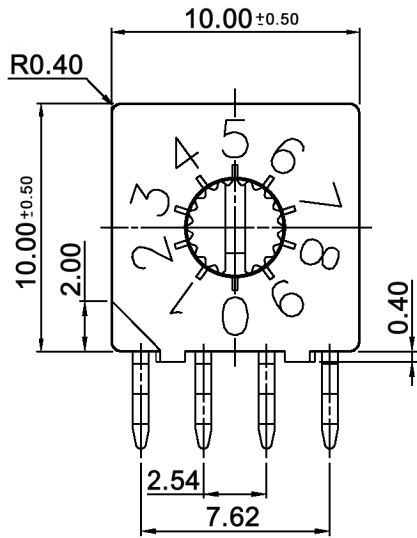
**knitter-switch**

**20 25 14**

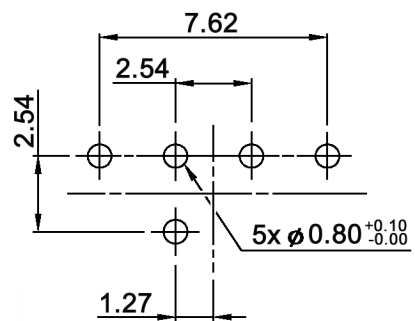
Page

1/3

DRR 4000:



P.C.B. LAYOUT



Tolerances:	Date	Name
	05/84	Ey
Modifications	Date	Name

DRR 3000 / DRR 4000

knitter-switch

20 25 14

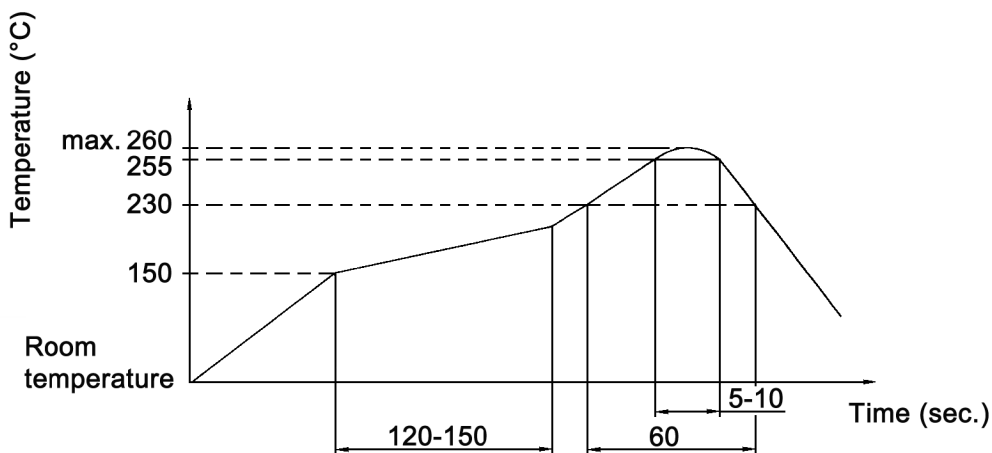
Page

2/3

**Specifications:**

**Contact rating:** non-switching: 100mA, 50V DC  
 switching: 30mA, 15V DC  
**Contact resistance:** 100mOhm max.  
**Insulation resistance:** 1 000MOhm min. at 250V DC  
**Dielectric strength:** 250V AC for 1 minute  
**Operating temperature:** -40°C to +85°C  
**Mechanical life:** 20 000 cycles min.  
**Operating force:** 250 gf.cm max.  
**Material:** Base / cover: high-temp. thermoplastic nylon UL94V-0, molded black  
 Movable contact: alloy copper, gold plated  
 Actuator: high-temp. thermoplastic nylon UL94V-0, color: yellow  
 O-ring: silicone  
 Spring: stainless steel  
 Terminal: brass, gold plated

**Soldering conditions:** wave soldering: 260°C, 5sec. max.  
 through hole reflow: 260 +/-5°C, 4-6sec.



Tolerances:			Date	Name	<b>DRR 3000 / DRR 4000</b>	<b>20 25 14</b>	Page
			05/84	Ey			
			<b>knitter-switch</b>	3/3			
Modifications	Date	Name					