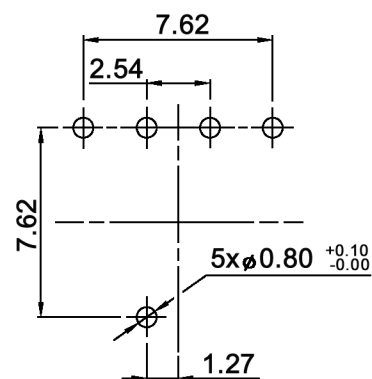


P.C.B. LAYOUT



TYPE	CIRCUIT CHARACTERISTIC																
	CODE	POSITION ● ON															
		0	1	2	3	4	5	6	7	8	9	A	B	C	D	E	F
DRS 4016	1		●		●		●		●		●		●		●		●
	2			●	●			●	●			●	●			●	●
	4					●	●	●	●					●	●	●	●
	8									●	●	●	●	●	●	●	●



Tolerances: ±0.20mm max.	Date	Name
	01/08	dr
Dimensions	04/09	dr
Dimensions	02/09	dr
RoHS	07/08	dr
Dimensions	06/08	dr
Operating temperature	04/08	dr
Modifications	Date	Name

DRS 4016

30 13 24

Page

1/2

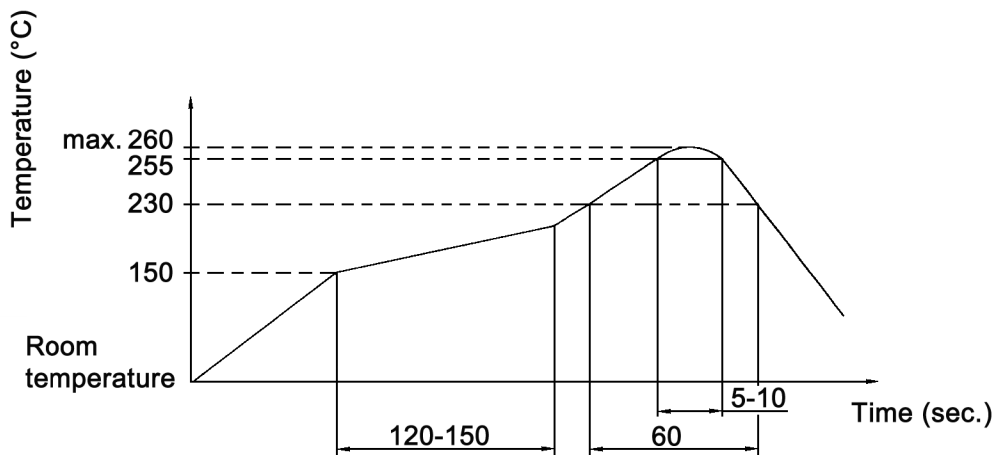
knitter-switch

**Specifications:**

**Contact rating:** non-switching: 100mA, 50V DC  
 switching: 30mA, 15V DC  
**Contact resistance:** 100mOhm max.  
**Insulation resistance:** 1 000MOhm min. at 250V DC  
**Dielectric strength:** 250V AC for 1 minute  
**Operating temperature:** -40°C to +85°C  
**Mechanical life:** 20 000 cycles min.  
**Operating force:** 250 gf.cm max.  
**Material:** Base / cover: high-temp. thermoplastic nylon UL94V-0,  
 molded black  
 Movable contact: alloy copper, gold plated  
 Actuator: high-temp. thermoplastic nylon UL94V-0,  
 color: yellow  
 O-ring: silicone  
 Spring: stainless steel  
 Terminal: brass, gold plated

RoHS compliant and free from DecaBDE

**Soldering conditions:** wave soldering: 260°C, 5sec. max.  
 through hole reflow: 260 +/-5°C, 4-6sec.



Tolerances: ±0.20mm max.	Date	Name	<b>DRS 4016</b>	<b>30 13 24</b>	Page
	12/07	dr			
			<b>knitter-switch</b>		2/2
Modifications	Date	Name			