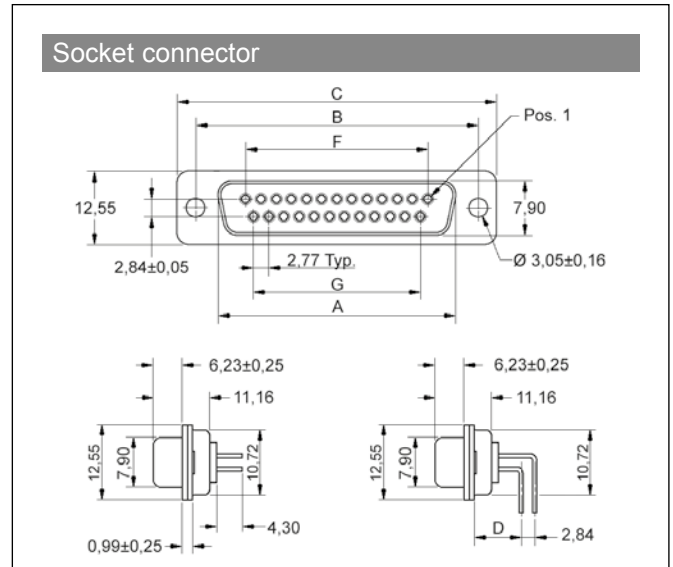
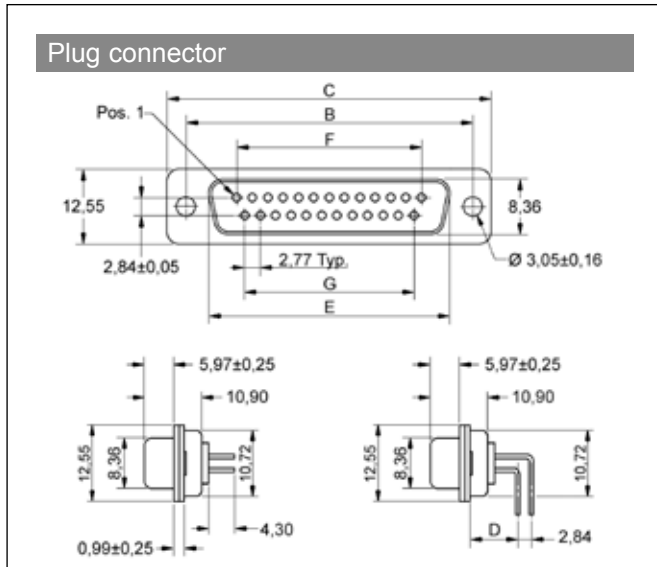
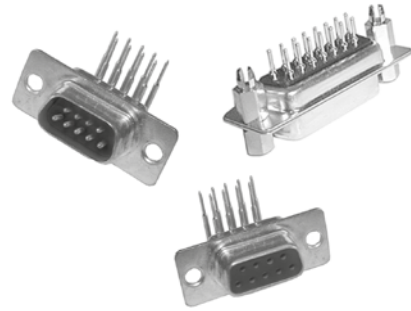


MHDD-Series – PCB Mount Straight & Angled D Connectors, 9.4mm

Material Specification:

- Insulator: Glass filled Polyester, Black
UL94 V-0
 - Shell: Stamped Steel, Tin Plated
 - Contact pins: Copper Alloy, Machined
Class 1, 500 inserts min.
 - Contact Plating: Selective Gold over Nickel
- 7.2mm (RAM) available on request.
Size 50 available on request.



06

Size	A	B	C	D: RAM/ RBM	E	F	G
9	16,33	24,99	30,81	7,2 / 9,4	16,92	11,08	8,31
15	24,66	33,32	39,14	7,2 / 9,4	25,25	19,39	16,62
25	38,38	47,04	53,04	7,2 / 9,4	38,96	33,24	30,47
37	54,84	63,50	69,32	7,2 / 9,4	55,25	49,86	47,09
50*	Available on request						

Order Codes:

Plug Connector		Straight PCB Mount	
09	2103-0100-01	MHDD09-M-T-B-S	
15	2103-0100-02	MHDD15-M-T-B-S	
25	2103-0100-03	MHDD25-M-T-B-S	
37	2103-0100-04	MHDD37-M-T-B-S	
50	On request		

Socket Connector		Straight PCB Mount	
09	2103-0100-11	MHDD09-F-T-B-S	
15	2103-0100-12	MHDD15-F-T-B-S	
25	2103-0100-13	MHDD25-F-T-B-S	
37	2103-0100-14	MHDD37-F-T-B-S	
50	On request		

Plug Connector		Angled RBM (9.4mm)	
09	2103-2100-01	MHDD09-M-T-B-S-RBM	
15	2103-2100-02	MHDD15-M-T-B-S-RBM	
25	2103-2100-03	MHDD25-M-T-B-S-RBM	
37	2103-2100-04	MHDD37-M-T-B-S-RBM	
50	On request		

Socket Connector		Angled RBM (9.4mm)	
09	2103-2100-11	MHDD09-F-T-B-S-RBM	
15	2103-2100-12	MHDD15-F-T-B-S-RBM	
25	2103-2100-13	MHDD25-F-T-B-S-RBM	
37	2103-2100-14	MHDD37-F-T-B-S-RBM	
50	On request		