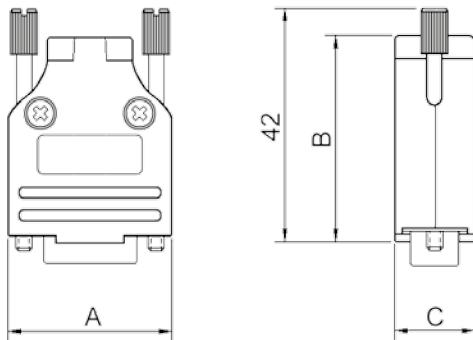


**TECHNICAL SPECIFICATIONS**

**Material:** UL 94 V-0 Plastic Material  
**Operating Temperature:** -55°C to +110°C  
**Cable Entry:** Top  
**Thumbscrews:** UNC 4-40 (Standard)  
 M2,5 or M3 on request  
**Cable O.D.:** Up to 13mm  
**Colour:** Black  
**Accessories:** See page 186-190  
**Assembly Instruction:** See page 193



Grommet Sizes MHDTPPK 9-37:

Size MHDTPPK	Dim A	Dim B	Dim C
9-way	31,2	39,9	15,0
15-way	39,5	41,5	15,0
25-way	53,4	48,6	15,0
37-way	69,7	53,6	15,0

**Features:**

- Available in sizes 9-15-25-37
- Suitable for any common Sub-D connector
- Strain relief inserts ensure a secure termination
- Re-openable
- Also available in Metalized Version, See page 18

**Ordering information:**

Size:	P/N - Kitted:	Product Code:
9-way	6560-0108-01	MHDTPPK-9-BK-K
15-way	6560-0108-02	MHDTPPK-15-BK-K
25-way	6560-0108-03	MHDTPPK-25-BK-K
37-way	6560-0108-04	MHDTPPK-37-BK-K

Size:	P/N - BULK:	Product Code:
9-way	6561-0108-01	MHDTPPK-9-BK
15-way	6561-0108-02	MHDTPPK-15-BK
25-way	6561-0108-03	MHDTPPK-25-BK
37-way	6561-0108-04	MHDTPPK-37-BK