

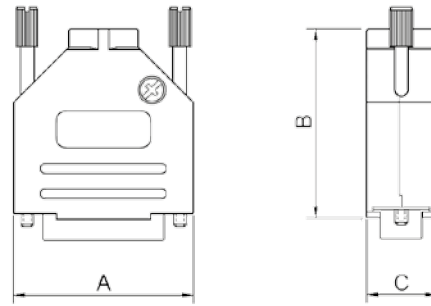
## TECHNICAL SPECIFICATIONS

|                               |  |
|-------------------------------|--|
| <b>Material:</b>              | Zinc, Nickel Plated                            |
| <b>Operating Temperature:</b> | -40°C to +120°C                                |
| <b>Cable Entry:</b>           | Top Entry                                      |
| <b>Thumbscrews:</b>           | UNC 4-40 (Standard)<br>M2,5 or M3 on request   |
| <b>Cable O.D.:</b>            | Up to 13mm (Size 9-37)<br>Up to 17mm (Size 50) |
| <b>Accessories:</b>           | See page 186-190                               |
| <b>Assembly Instruction:</b>  | See page 197                                   |



### Features:

- Available in sizes 9-15-25-37-50\*
- Excellent EMI Shielding
- Re-openable
- Strain relief inserts ensure a secure termination
- Full Metal Jackscrew as standard.
- Metalized (RAHI) grommets on request - See page 186

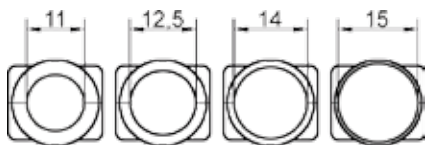


NEW: Size 50 now available

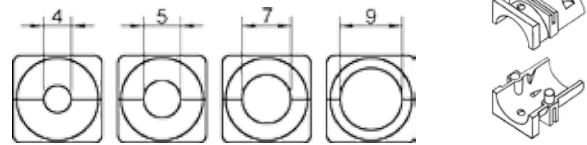


| Size MHDTZK | Dim A | Dim B | Dim C |
|-------------|-------|-------|-------|
| 9-way       | 31,0  | 39,5  | 15,0  |
| 15-way      | 39,5  | 41,5  | 15,0  |
| 25-way      | 53,5  | 48,5  | 15,0  |
| 37-way      | 71,0  | 53,0  | 15,0  |
| 50-way      | 67,5  | 54,0  | 18,7  |

Grommet Sizes / DTZK50:



Grommet Sizes / DTZK09-37:



### Ordering information:

| Size:  | P/N - Kitted: | Product Code:    |
|--------|---------------|------------------|
| 9-way  | 6560-0105-01  | MHDTZK-N-09-RA-K |
| 15-way | 6560-0105-02  | MHDTZK-N-15-RA-K |
| 25-way | 6560-0105-03  | MHDTZK-N-25-RA-K |
| 37-way | 6560-0105-04  | MHDTZK-N-37-RA-K |
| 50-way | 6560-0105-05  | MHDTZK-N-50-RA-K |

| Size:  | P/N - BULK:  | Product Code:  |
|--------|--------------|----------------|
| 9-way  | 6561-0105-01 | MHDTZK-N-09-RA |
| 15-way | 6561-0105-02 | MHDTZK-N-15-RA |
| 25-way | 6561-0105-03 | MHDTZK-N-25-RA |
| 37-way | 6561-0105-04 | MHDTZK-N-37-RA |
| 50-way | 6561-0105-05 | MHDTZK-N-50-RA |