

TECHNICAL SPECIFICATIONS

Material: Zinc, Black

Operating Temperature: -40°C to +120°C

Cable Entry: Top Entry

Thumbscrews: UNC 4-40 (Standard)
M2,5 or M3 on request

Cable O.D: Up to 13mm

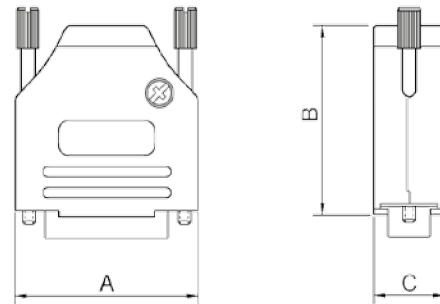
Accessories: See page 186-190

Assembly Instruction: See page 197

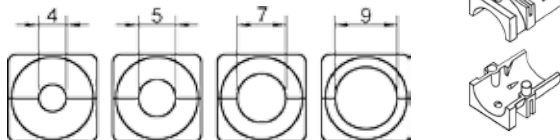


Features:

- Rapid Assembly (RA)
- Available in sizes 9-15-25-37
- Excellent EMI Shielding
- Re-openable
- Strain relief inserts ensure a secure termination
- Full Metal Jackscrew as standard
- Plastic Cap Jackscrew on request



Grommet Sizes / DTZK09-37:



Size MHDTZK	Dim A	Dim B	Dim C
9-way	31,2	39,9	15,0
15-way	39,5	41,5	15,0
25-way	53,4	48,6	15,0
37-way	69,7	53,6	15,0

Ordering information:

Rapid Assembly (RA) Style

Size:	P/N - Kitted:	Product Code:
9-way	6560-0115-01	MHDTZK-9-RA-BK-K
15-way	6560-0115-02	MHDTZK-15-RA-BK-K
25-way	6560-0115-03	MHDTZK-25-RA-BK-K
37-way	6560-0115-04	MHDTZK-37-RA-BK-K

Size:	P/N - BULK:	Product Code:
9-way	6561-0115-01	MHDTZK-9-RA-BK
15-way	6561-0115-02	MHDTZK-15-RA-BK
25-way	6561-0115-03	MHDTZK-25-RA-BK
37-way	6561-0115-04	MHDTZK-37-RA-BK