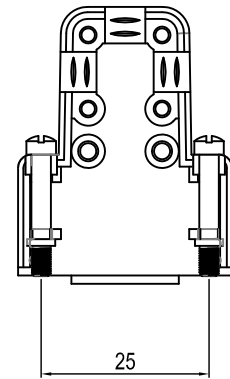
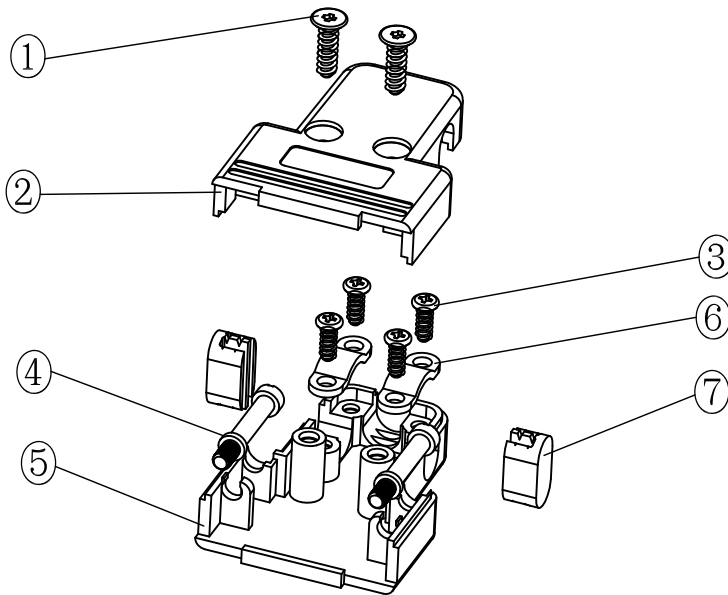
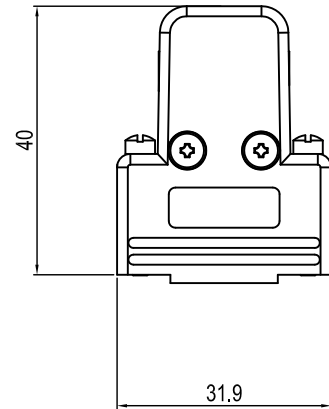
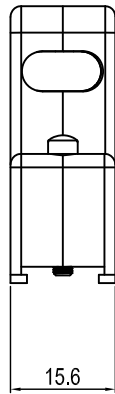


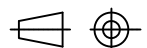
No.	Changes and/or Note No.	Date	Intr	No	Changes and/or Note No.	Date	Intr



Name:	Description:	Pack:	1	2	GB/T 846 ST2.9x10 self Tapping screw	Screw
			2	1	Multi Top MHTRI-M-9	Cover
6550-0100-01	MHTRI-M-9-K	SINGLE	3	4	GB/T 845 ST2.2x6 self Tapping screw	Screw
			4	2	UNC 4-40X18.1	Jack screw
6551-0100-01	MHTRI-M-9	BULK	5	1	Multi Bottom MHD3-9	Cover
			6	2	Cable Clamp	Cable Clamp
			7	2	Multi Large Blank MHD3-9	Blanking Plug
			Item	QTY	Part Number	Description
DATE: 2008-10-29	DRAWN: YGY	SCALE:	MATERIAL TYPE:			
Auditing:	APPROVED:		REPLACES:			

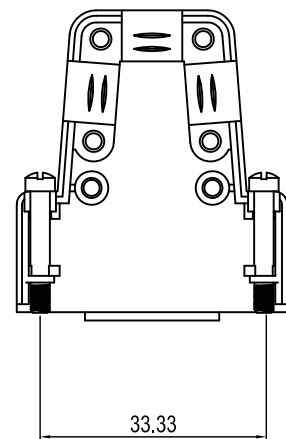
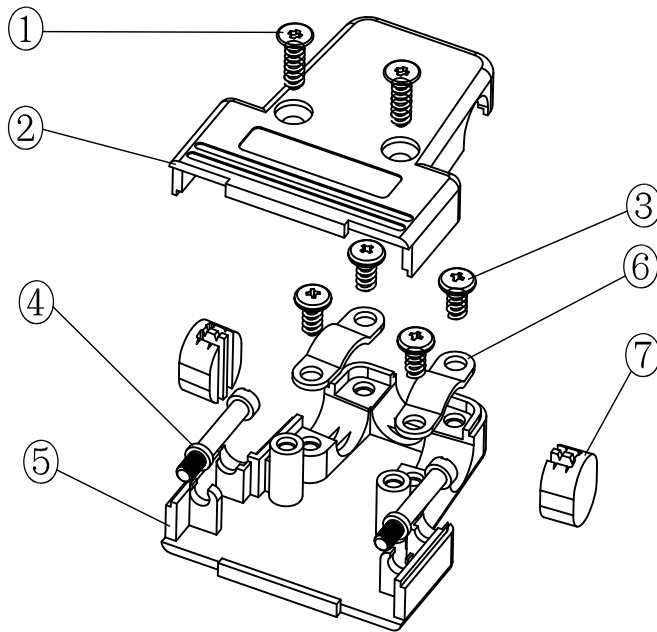
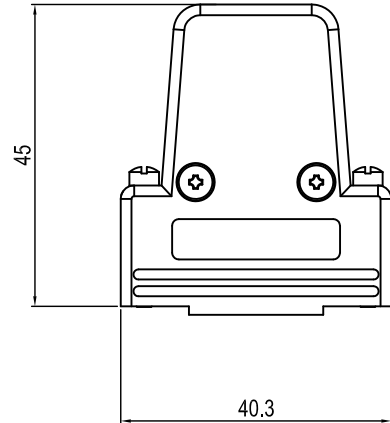
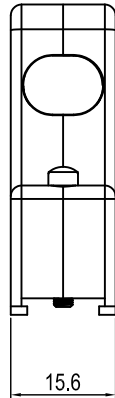


MHTRI-M-SERIES



DRAWING No:

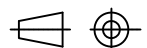
No.	Changes and/or Note No.	Date	Intr	No	Changes and/or Note No.	Date	Intr



Name:	Description:	Pack:	1	2	GB/T 846 ST2.9x10 self Tapping screw	Screw
			2	1	Multi Top MHTRI-M-15	Cover
6550-0100-02	MHTRI-M-15-K	SINGLE	3	4	GB/T 845 ST2.2x6 self Tapping screw	Screw
			4	2	UNC 4-40X18.1	Jack screw
6551-0100-02	MHTRI-M-15	BULK	5	1	Multi Bottom MHD3-15	Cover
			6	2	Cable Clamp	Cable Clamp
			7	2	Multi Large Blank MHD3-9	Blanking Plug
			Item	QTY	Part Number	Description
DATE: 2008-10-29	DRAWN: YGY	SCALE:	MATERIAL TYPE:			
Auditing:	APPROVED:		REPLACES:			

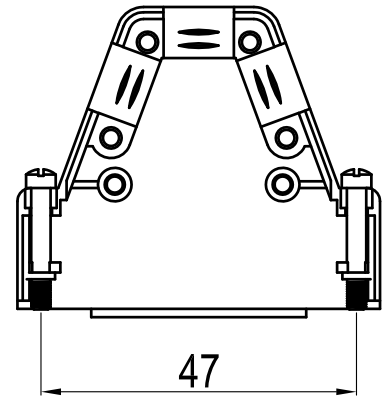
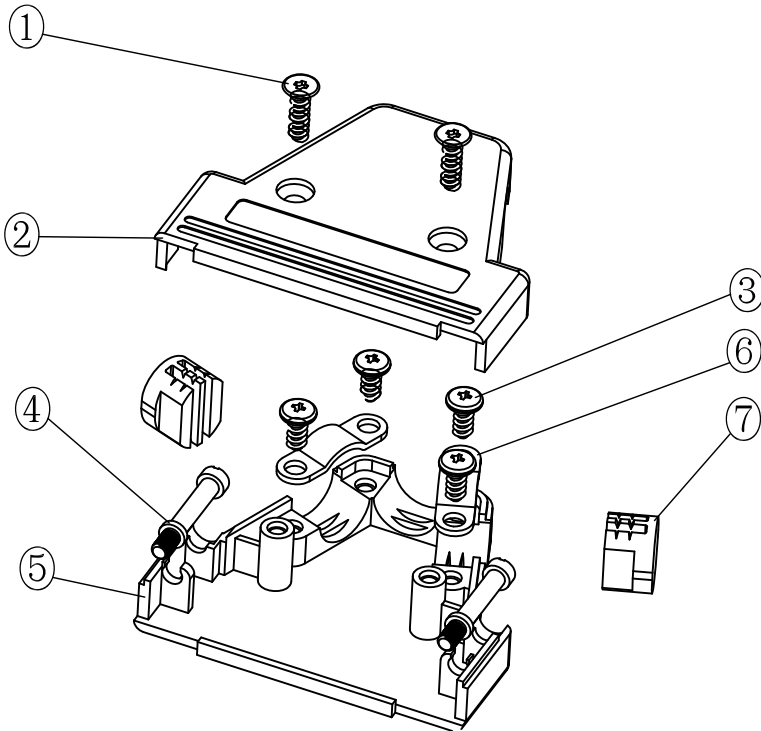
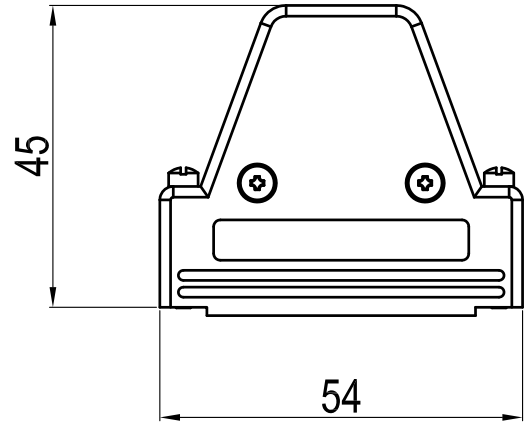
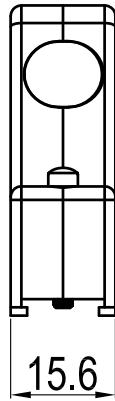





MHTRI-M-SERIES



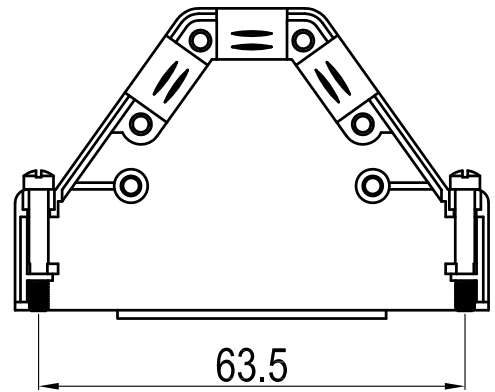
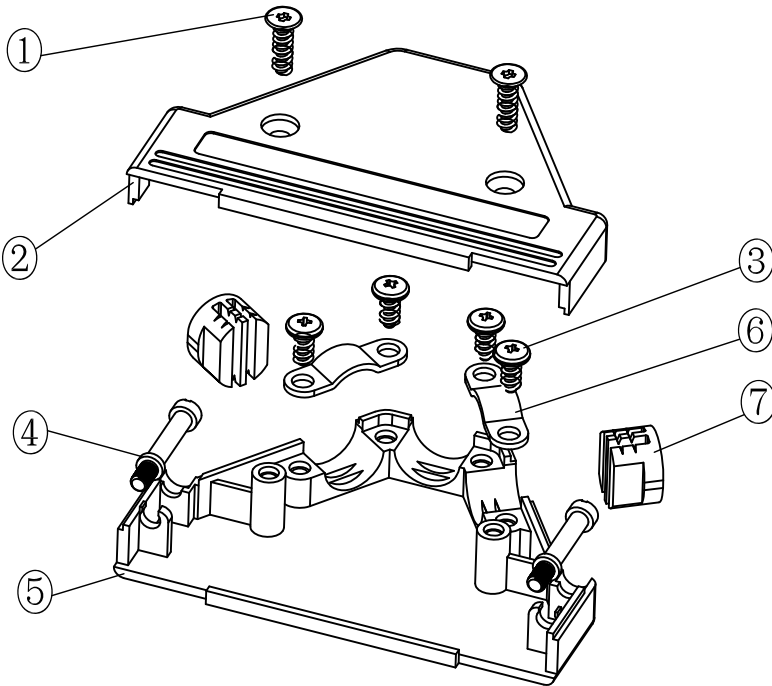
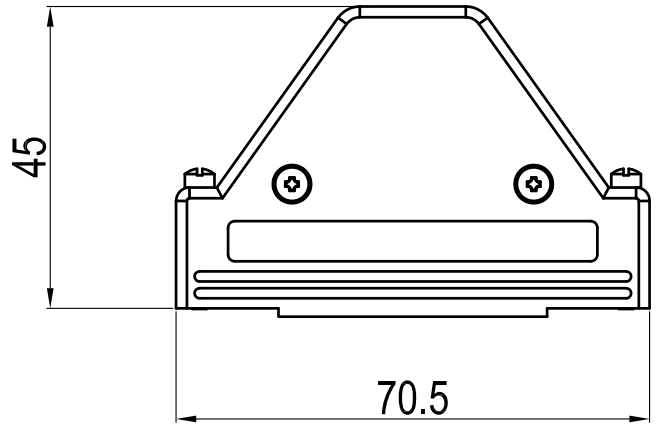
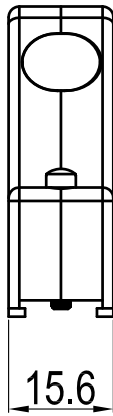
DRAWING No:

No.	Changes and/or Note	Date	Intr	No	Changes end/or Note No.	Date	Intr



Name:	Description:	Pack:	1	2	GB/T 846 ST2.9x10 self Tapping screw	Screw
			2	1	Multi Top MHDTRI-M-25	Cover
6550-0100-03	MHTRI-M-25-K	SINGLE	3	4	GB/T 845 ST2.9x6 self Tapping screw	Screw
			4	2	UNC 4-40X18.1	Jack screw
6551-0100-03	MHTRI-M-25	BULK	5	1	Multi Bottom MHD3-25	Cover
			6	2	Cable Clamp	Cable Clamp
			7	2	Multi Large Blank MHD3-9	Blanking Plug
			Item	QTY	Part Number	Description
DATE: 2008-10-28	DRAWN: YGY	SCALE:	MATERIAL TYPE:			
Auditing:	APPROVED:		REPLACES:			
	<h1>MHTRI-M-SERIES</h1>				 	
			DRAWING No:			

No.	Changes and/or Note No.	Date	Intr	No	Changes and/or Note No.	Date	Intr

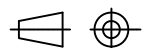


Name:	Description:	Pack:	1	2	GB/T 846 ST2.9x10 self Tapping screw	Screw
			2	1	Multi Top MHTRI-M-37	Cover
6550-0100-04	MHTRI-M-37-K	SINGLE	3	4	GB/T 845 ST2.9x6 self Tapping screw	Screw
			4	2	UNC 4-40X18.1	Jack screw
6551-0100-04	MHTRI-M-37	BULK	5	1	Multi Bottom MHD3-37	Cover
			6	2	Cable Clamp	Cable Clamp
			7	2	Multi Large Blank MHD3-9	Blanking Plug
			Item	QTY	Part Number	Description

DATE: 2008-10-28	DRAWN: YGY	SCALE:	MATERIAL TYPE:
Auditing:	APPROVED:		REPLACES:



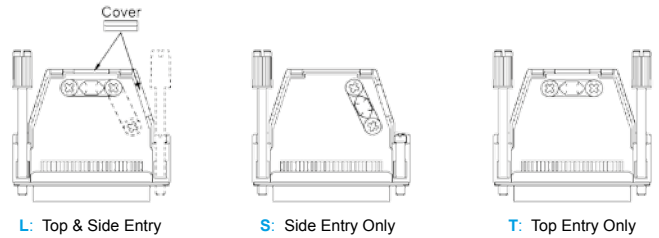
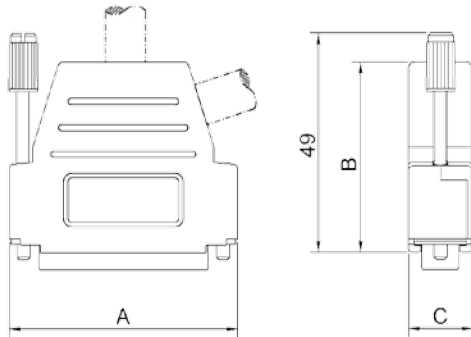
MHTRI-M-SERIES



DRAWING No:

TECHNICAL SPECIFICATIONS

- Material:** UL 94 V-0 Plastic Material
- Plating:** Nickel over Copper
- Operating Temperature:** -55°C to +110°C
- Cable Entry:** Side and Top (L)
Side Only (S)
Top Only (T)
- Thumbscrews:** UNC 4-40 (Standard)
M2,5 or M3 on request
- Cable O.D:** Up to 11,5mm
- Accessories:** See page 186-190
- Assembly Instruction:** See page 194



Size DSSK-T/P	Dim A	Dim B	Dim B	DimC
9-way	31,5	40,0	43,0*	15,0
15-way	40,0	40,0	-	15,0
25-way	53,5	43,0	-	15,0
37-way	71,3	40,0	-	15,0

* Top only

Features:

- Available in sizes 9-15-25-37
- Suitable for any common Sub-D connector
- Quick-snap locking system
- Re-openable
- Company logo available upon request
- Also available in Unshielded Version, See page 8
- Recyclable

Ordering information:

Size:	P/N - Kitted:	Product Code:	L
9-way	6260-0106-01	MHDSSK-M-09-L-K	
15-way	6260-0106-02	MHDSSK-M-15-L-K	
25-way	6260-0106-03	MHDSSK-M-25-L-K	

Size:	P/N - BULK:	Product Code:	L
9-way	6261-0106-01	MHDSSK-M-09-L	
15-way	6261-0106-02	MHDSSK-M-15-L	
25-way	6261-0106-03	MHDSSK-M-25-L	

Size:	P/N - Kitted:	Product Code:	S
9-way	6260-0106-11	MHDSSK-M-09-S-K	
15-way	6260-0106-12	MHDSSK-M-15-S-K	
25-way	6260-0106-13	MHDSSK-M-25-S-K	
37-way	6260-0106-14	MHDSSK-M-37-S-K	

Size:	P/N - BULK:	Product Code:	S
9-way	6261-0106-11	MHDSSK-M-09-S	
15-way	6261-0106-12	MHDSSK-M-15-S	
25-way	6261-0106-13	MHDSSK-M-25-S	
37-way	6261-0106-14	MHDSSK-M-37-S	

Size:	P/N - Kitted:	Product Code:	T
9-way	6260-0106-21	MHDSSK-M-09-T-K	
15-way	6260-0106-22	MHDSSK-M-15-T-K	
25-way	6260-0106-23	MHDSSK-M-25-T-K	

Size:	P/N - BULK:	Product Code:	T
9-way	6261-0106-21	MHDSSK-M-09-T	
15-way	6261-0106-22	MHDSSK-M-15-T	
25-way	6261-0106-23	MHDSSK-M-25-T	