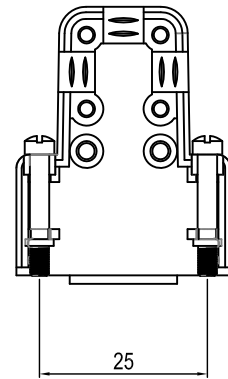
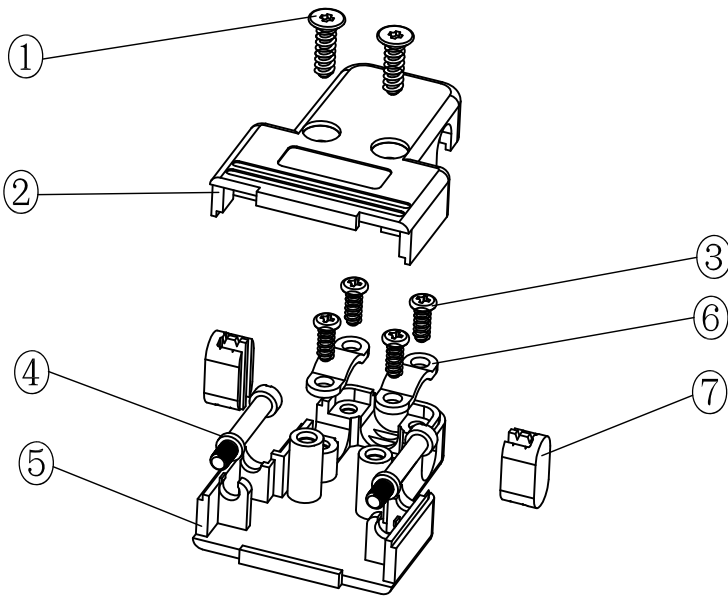
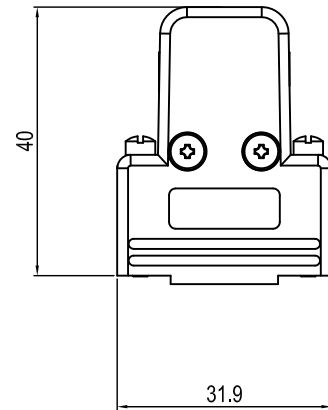
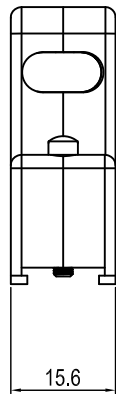


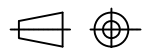
No.	Changes and/or Note No.	Date	Intr	No	Changes and/or Note No.	Date	Intr



Name:	Description:	Pack:	1	2	GB/T 846 ST2.9x10 self Tapping screw	Screw
			2	1	Multi Top MHD3-9	Cover
6550-0101-01	MHTRI-P-9-K	SINGLE	3	4	GB/T 845 ST2.2x6 self Tapping screw	Screw
			4	2	UNC 4-40X18.1	Jack screw
6551-0101-01	MHTRI-P-9	BULK	5	1	Multi Bottom MHD3-9	Cover
			6	2	Cable Clamp	Cable Clamp
			7	2	Multi Large Blank MHD3-9	Blanking Plug
DATE:	DRAWN:	SCALE:	Item	QTY	Part Number	Description
2008-10-29	YG Y					
Auditing:	APPROVED:		REPLACES:			

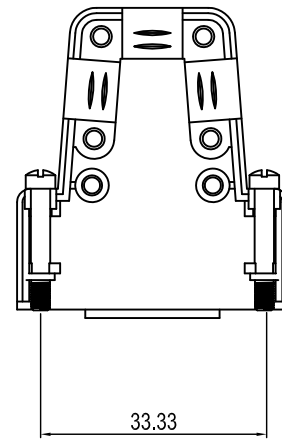
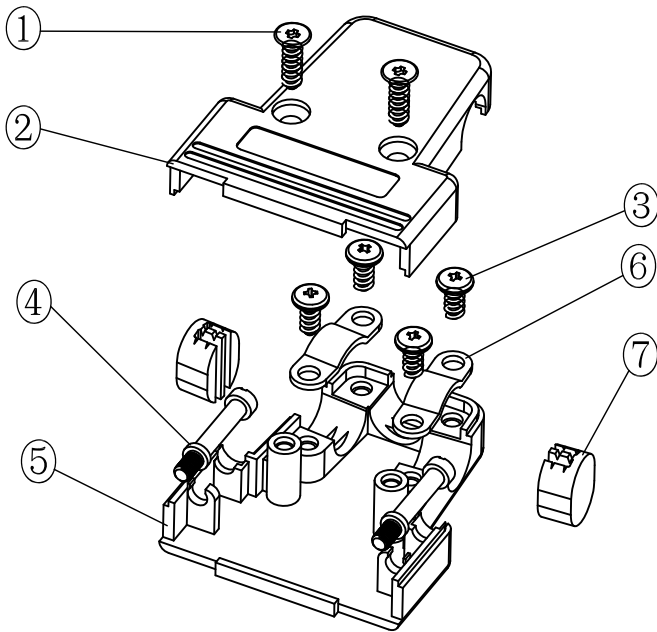
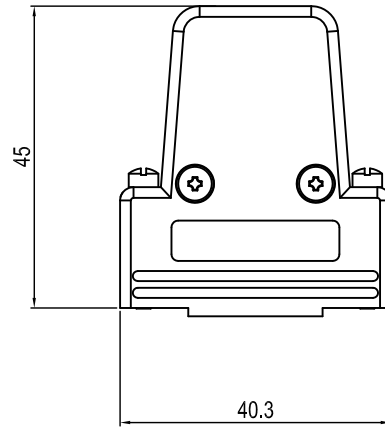
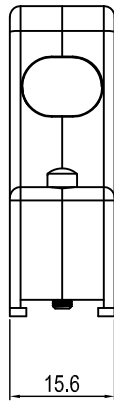


MHTRI-P-SERIES



DRAWING No: 200801029\_9

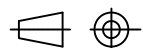
No.	Changes and/or Note No.	Date	Intr	No	Changes and/or Note No.	Date	Intr



Name:	Description:	Pack:	1	2	GB/T 846 ST2.9x10 self Tapping screw	Screw
			2	1	Multi Top MHD3-15	Cover
6550-0101-02	MHTRI-P-15-K	SINGLE	3	4	GB/T 845 ST2.2x6 self Tapping screw	Screw
			4	2	UNC 4-40X18.1	Jack screw
6551-0101-02	MHTRI-P-15	BULK	5	1	Multi Bottom MHD3-15	Cover
			6	2	Cable Clamp	Cable Clamp
			7	2	Multi Large Blank MHD3-9	Blanking Plug
			Item	QTY	Part Number	Description
DATE: 2008-10-29	DRAWN: YGY	SCALE:	MATERIAL TYPE:			
Auditing:	APPROVED:		REPLACES:			

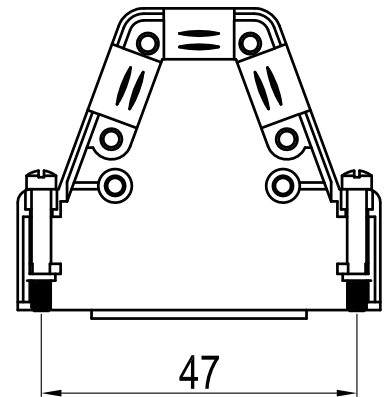
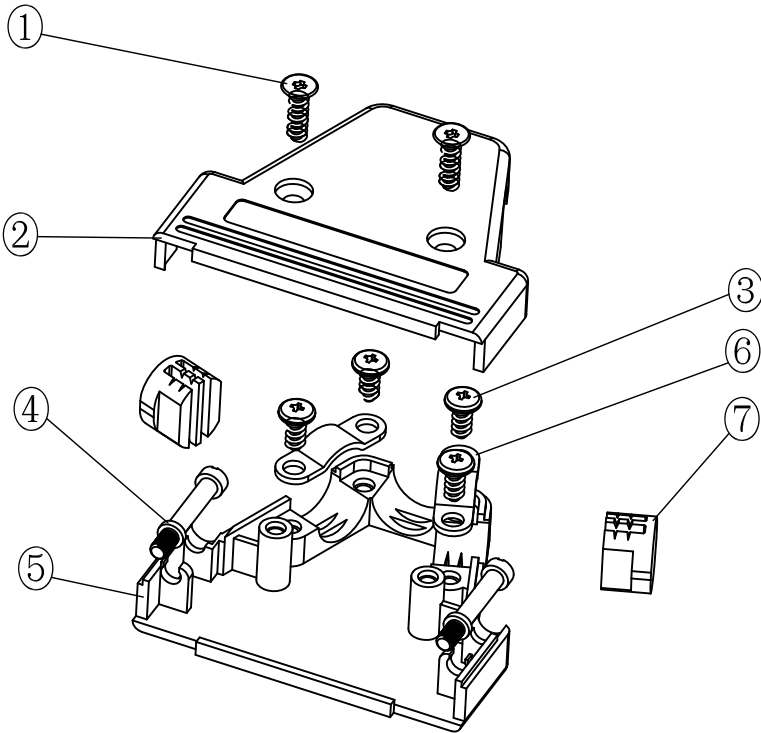
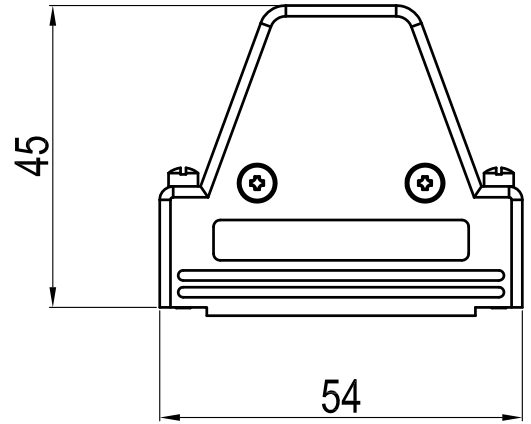
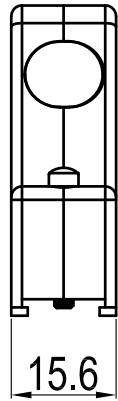


MHTRI-P-SERIES



DRAWING No: 200801029\_15

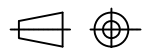
No.	Changes and/or Note No.	Date	Intr	No	Changes and/or Note No.	Date	Intr



Name:	Description:	Pack:	1	2	GB/T 846 ST2.9x10 self Tapping screw	Screw
			2	1	Multi Top MHD3-25	Cover
6550-0101-03	MHTRI-P-25-K	SINGLE	3	4	GB/T 845 ST2.9x6 self Tapping screw	Screw
			4	2	UNC 4-40X18.1	Jack screw
6551-0101-03	MHTRI-P-25	BULK	5	1	Multi Bottom MHD3-25	Cover
			6	2	Cable Clamp	Cable Clamp
			7	2	Multi Large Blank MHD3-9	Blanking Plug
			Item	QTY	Part Number	Description
DATE: 2008-10-28	DRAWN: YGY	SCALE:	MATERIAL TYPE:			
Auditing:	APPROVED:		REPLACES:			

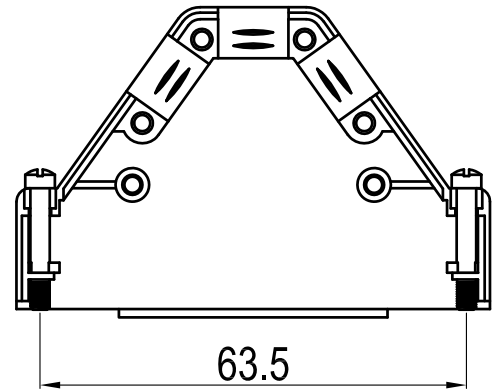
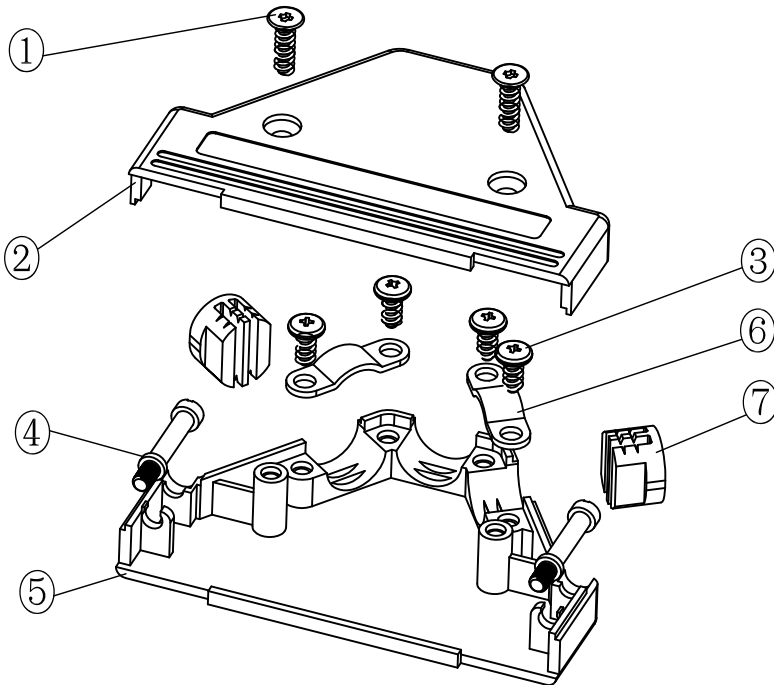
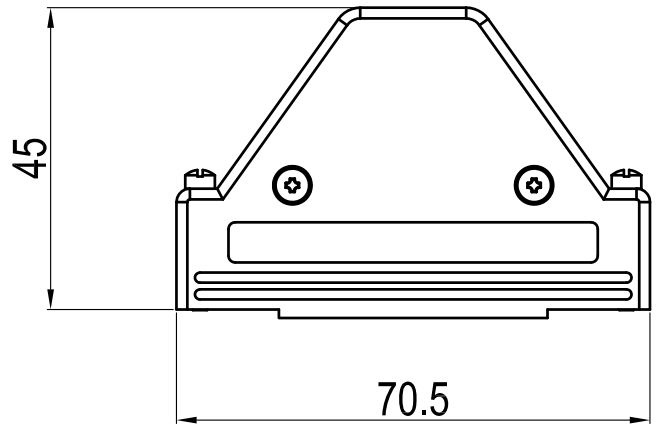
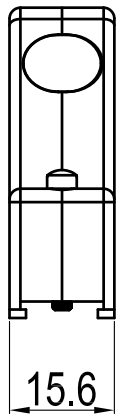


MHTRI-P-SERIES



DRAWING No: 200801028\_25

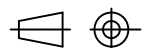
No.	Changes and/or Note No.	Date	Intr	No	Changes and/or Note No.	Date	Intr



Name:	Description:	Pack:	1	2	GB/T 846 ST2.9x10 self Tapping screw	Screw
			2	1	Multi Top MHD3-37	Cover
6550-0101-04	MHTRI-P-37-K	SINGLE	3	4	GB/T 845 ST2.9x6 self Tapping screw	Screw
			4	2	UNC 4-40X18.1	Jack screw
6551-0101-04	MHTRI-P-37	BULK	5	1	Multi Bottom MHD3-37	Cover
			6	2	Cable Clamp	Cable Clamp
			7	2	Multi Large Blank MHD3-9	Blanking Plug
			Item	QTY	Part Number	Description
DATE: 2008-10-28	DRAWN: YGY	SCALE:	MATERIAL TYPE:			
Auditing:	APPROVED:		REPLACES:			



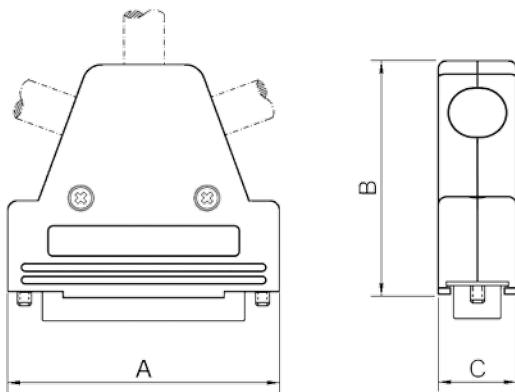
MHTRI-P-SERIES



DRAWING No: 200801028\_37

**TECHNICAL SPECIFICATIONS**

**Material:** UL 94 V-0 Plastic Material  
**Operating Temperature:** -55°C to +110°C  
**Cable Entry:** Side / Top / Side  
**Thumbscrews:** UNC 4-40 (Standard)  
 M2,5 or M3 on request  
**Cable O.D:** Up to 11,5mm  
**Colour:** Black



Size MHTRI-P	Dim A	Dim B	Dim C
9-way	31,0	45,2	15,0
15-way	40,3	45,2	15,0
25-way	53,5	45,2	15,0
37-way	70,0	45,2	15,0

**Features:**

- Available in sizes 9-15-25-37
- All sizes feature 3-Way Entry solution
- Re-openable
- Hood is supplied with 2 Blanking Plates and 2 Strain Relief Clamps. Extra Blanking Plates and/or Strain Reliefs are available on request.
- Also available in Metalized Version, See page 20

**Ordering information:**

Size:	P/N - Kitted:	Product Code:
9-way	6550-0101-01	MHTRI-P-09-K
15-way	6550-0101-02	MHTRI-P-15-K
25-way	6550-0101-03	MHTRI-P-25-K
37-way	6550-0101-04	MHTRI-P-37-K

Size:	P/N - BULK:	Product Code:
9-way	On Request	
15-way	On Request	
25-way	On Request	
37-way	On Request	