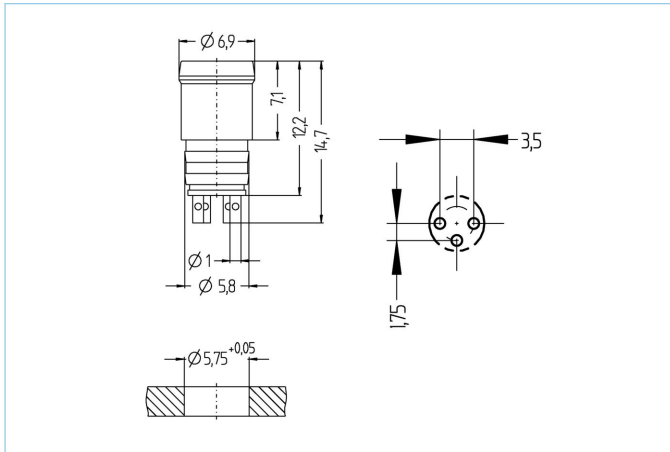


Panel connector, 8mm snap



Product data

Item description	ESP3SL
Item-No.	8008163
Customs tariff-No.	85366990

Technical data

Connector	Male, $\varnothing 8$ mm snap, straight
Number of pins	3
Pin assignment	1 BN, 3 BU, 4 BK
Rated voltage	60V
Current load (at 40°C)	4A
Insulation resistance	$\geq 10^8 \Omega$
Ambient temperature product	-30°C...+90°C
Contact material	Metal, CuZn, gold-plated
Contact-carrier material	Plastic, PA, BK
Connecting type	Soldering contact
Standards	IEC 61076-2-104
Degree of protection (mounted)	IP65, IP67, IP68
Mechanical life-cycle	>100 mating cycles
Degree of pollution	3