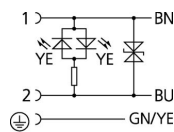
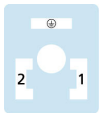
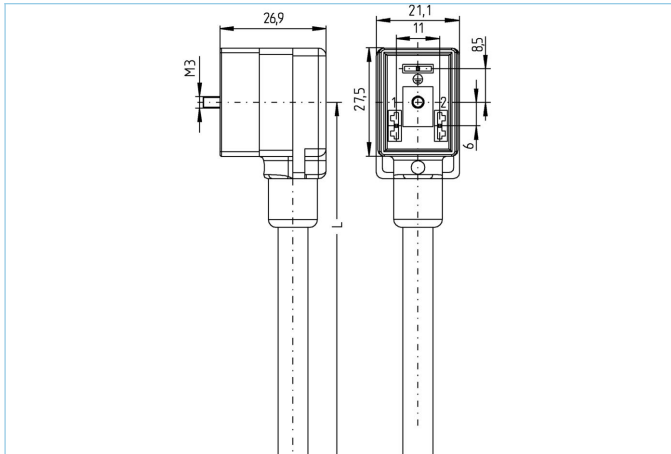


**Extension cable, Valve connector, B/BI**



**Product data**

Item description	VBI21-24.3-5/P01
Item-No.	8047830
Length	5m
Customs tariff-No.	85444290

**Technical data**

Connector	Female, Valve BI, straight
Number of pins	2+PE
Pin assignment	1 BN, 2 BU, PE: GY/YE
Rated voltage	24V <sub>AC/DC</sub>
Current load (at 40°C)	4A
Insulation resistance	≥10 <sup>8</sup> Ω
Ambient temperature product	-30°C...+90°C
Signal status-indicator	LED YE
Contact material	Metal, CuSn, silver-plated
Contact-carrier material	Plastic, PA, BK
Grip body material	Plastic, TPU, BK, translucent
Sealing (female) material	Plastic, TPU
Protection circuit	Suppressor diode
Fixing screw	Metal, CuZn, nickel-plated
Housing style	BI
Standards	DIN EN 175301-803
Degree of protection (mounted)	IP65, IP67, IP68
Mechanical life-cycle	>100 mating cycles
Degree of pollution	3

Cable	P01
PVC-cable for measurement and control-, and sensor technology. Suitable for applications in dry areas on packaging machines, assembly- and conveyor technology. High flexibility with unstressed movement (conditional drag-chain application possible). Predestined for applications in food- and beverage industry. P01-cables meet the UL and CSA (UL1729/2464; cULus) requirements.	
Outer diameter of jacket	6,10 +/- 0,2 mm
Cable-jacket material	PVC
Jacket color	window grey, similar RAL7040
Wire cross-section	3 x 0.75 mm <sup>2</sup>
Wire insulation material	PVC
Wire colors	BN, BU, GN/YE
Conductor structure	24 x 0,20 mm
Bending radius (fixed)	5 x Ø-cable
Bending radius (repeated)	10 x Ø-cable
Temperature range (repeated)	0°C...+80°C
Temperature range (fixed)	-25°C...+80°C
Rated voltage cable	≤300 V
Special features	seawater resistant, recyclable, LABS free, RoHs compliant, acid- and alkali resistant, ozone resistant, UV resistant