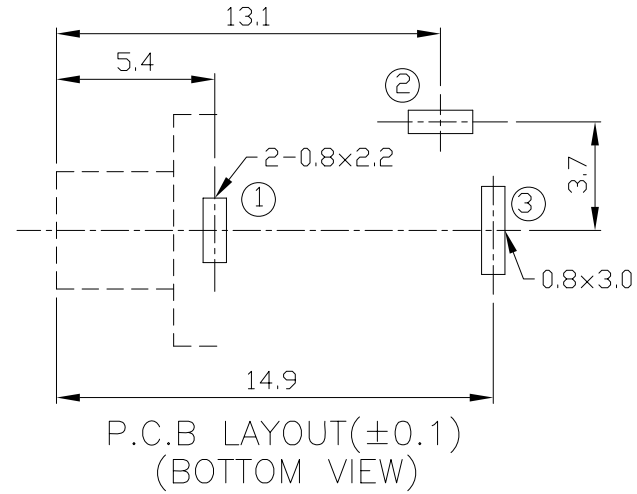
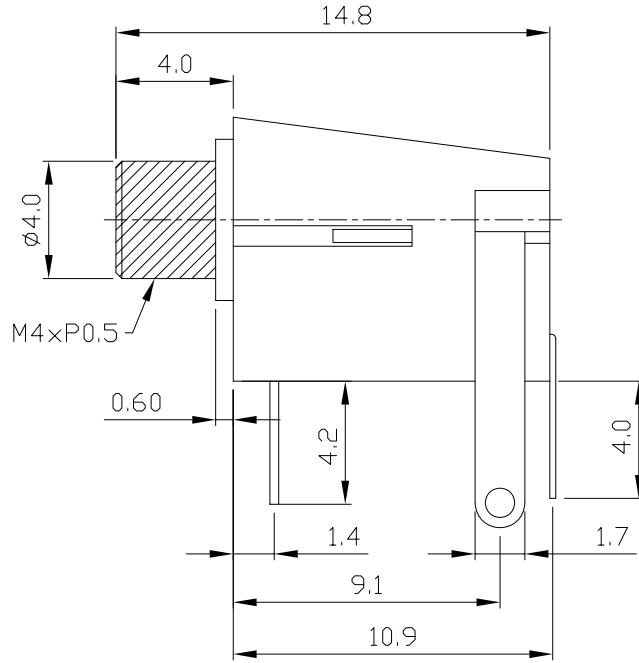
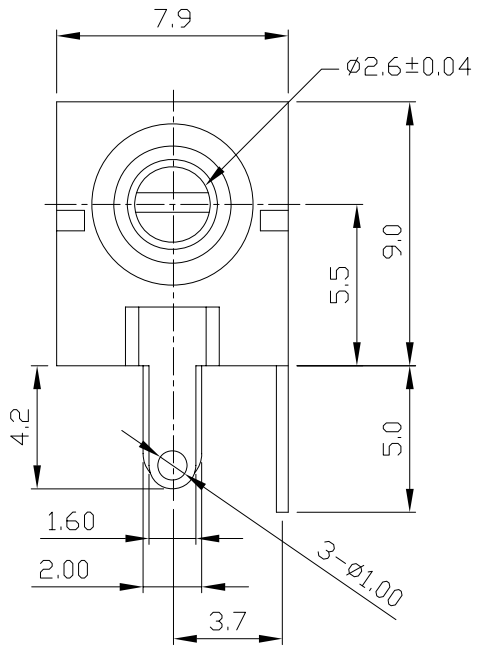
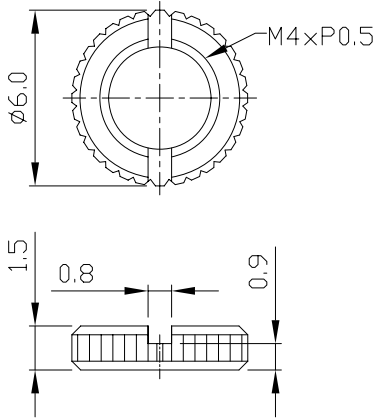




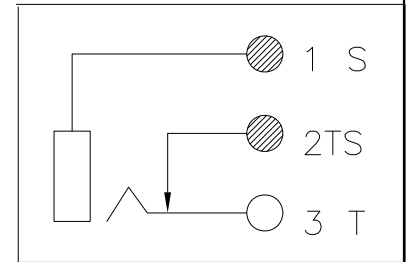
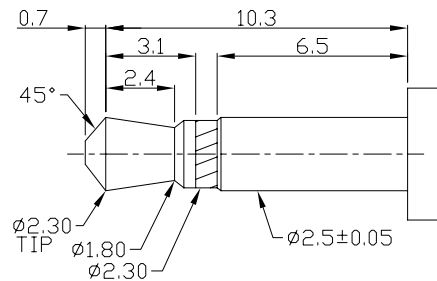
REV.	DESCRIPTION	APPROVED BY	DATE	ECN NO.
A	RELEASE	KUNG	13/12/06	
B				
C				



NUT



PLUG



6	NUT	1	BRASS	NICKEL	
5	HOUSING	1	PBT		BLACK
4	BUSHING	1	BRASS	NICKEL	
3	TIP	1	P.B.S	Matte Tin Δ	
2	TIP SHUNT	1	BRASS	Matte Tin Δ	
1	SLEEVE	1	BRASS	Matte Tin Δ	
NO	PART NAME	Q'TY	MATERIAL	PLATED	REMARK

DRAWN	NEIL	APP'D	KUNG	UNIT	mm	TOLERANCE	
CHK'D	T M			SCALE	1:1	.x ±0.20	
						.xx ±0.10	
						.xxx ±0.05	
						.xxxx ±0.03	
						ANGULA ±1°	

Lumberg
passion for connections

TITLE	2.5MM MONO JACK R/A , DIP TYPE			SHEET	1
PART NO.	1501 09	DWG.	LJE0251	VERSION	A