

5

4

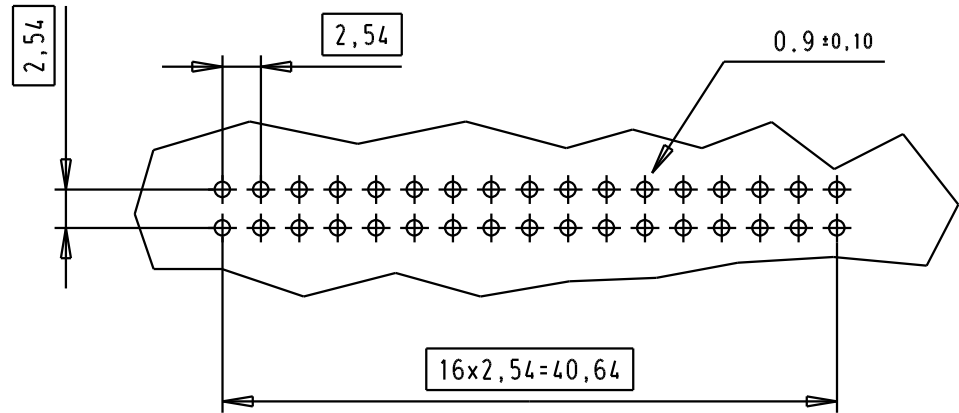
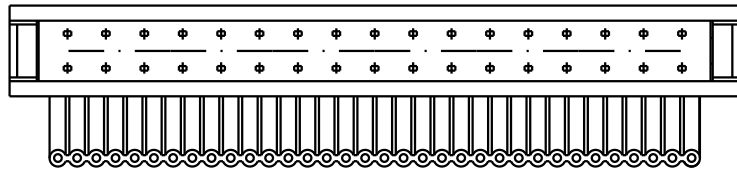
3

2

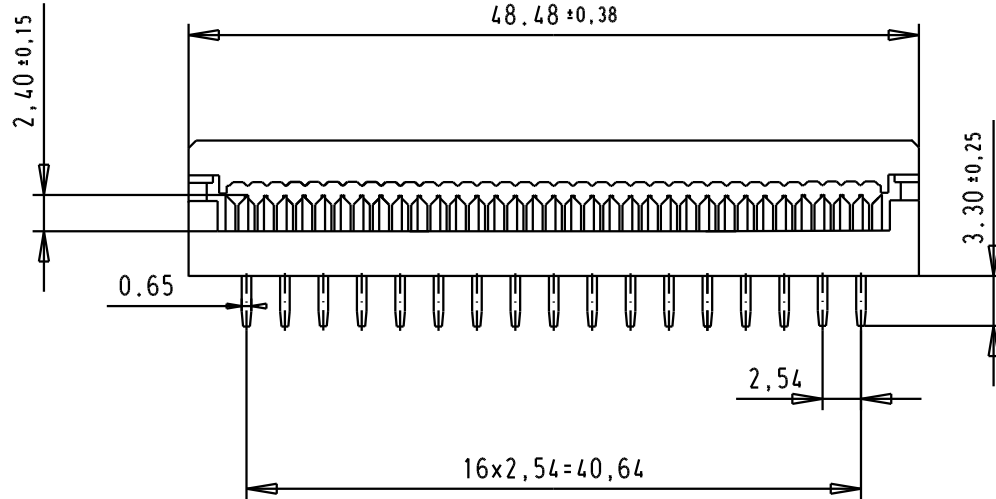
1

Printed board layout, component side

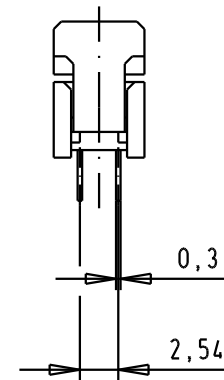
harnessed



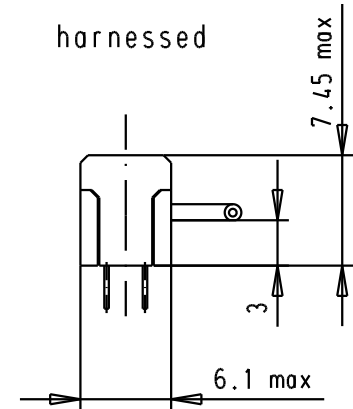
pre assembled



pre assembled

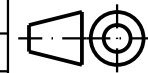


harnessed



A

09 18 134 9621.200		NON-ASSEMBLED					SEK 18, P.C.B Transition 34 poles connector 2 rows	Maßstab/ Scale 2:1
09 18 134 9621		PRE-ASSEMBLED						
Part Number		Cover						
	32151	01/09/04	TR					
	31575	26-NOV-03	SH					
	26573	10.02.00	PP					
	Mod.	Dat.	Name					
			HARTING EURL F-95972 Paris				TB 09181349621	Blatt/ Page 1 / 1
							Sub.	



All Dim. in mm
Orig. Size DIN A 4

