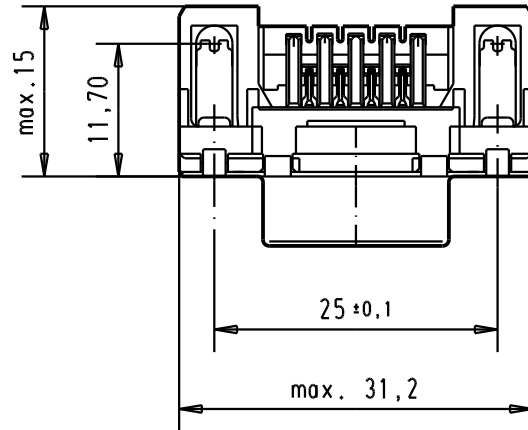
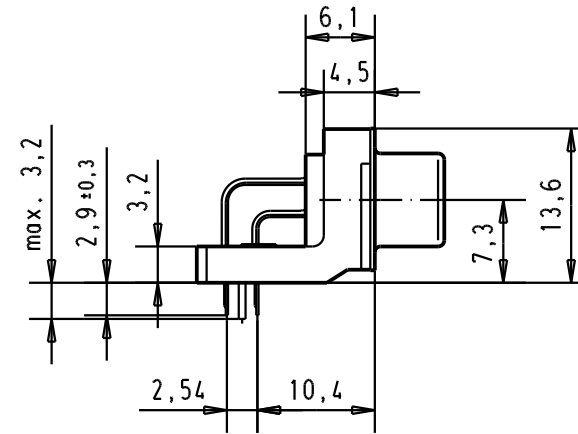
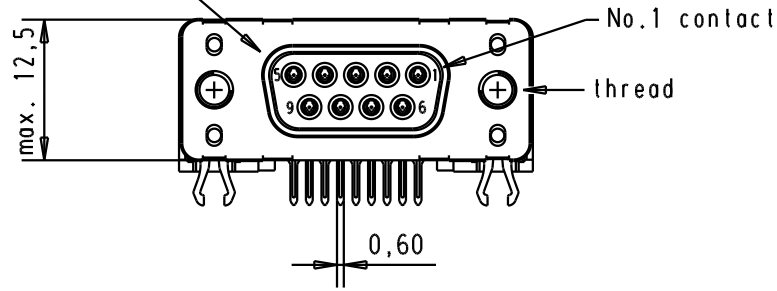
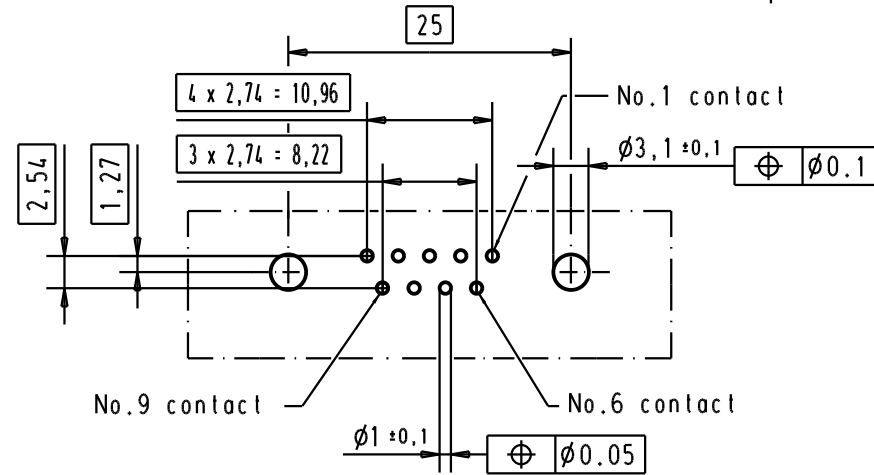


Mating face according to : MIL-C-24308 / DIN 41652 / CECC 75301-802

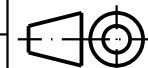


PCB layout hole component side



Connector retention and insertion forces on the PCB = 25 / 80 newtons

09 66 152 3611	M 3	1									
09 66 152 6611	M 3	2									
09 66 152 7611	M 3	3									
09 66 152 3612	4-40 UNC	1	31892	05/05/04	JH						
09 66 152 6612	4-40 UNC	2	31084	04/SEP/02	YT						
09 66 152 7612	4-40 UNC	3	27957	20/nov/00	jfb						
Part number	Nut thread	Performance level	Mod.	Dat.	Name						



All Dim. in mm
Orig. Size DIN A 4

D-Sub 09 poles standard angle female, solder pin with nut and grounding board lock.

Moßstab/
Scale
1.5:1

HARTING EURL
F-95972 Paris



TB 0966152x61x

Blatt/ Page
5 / 5

Sub.