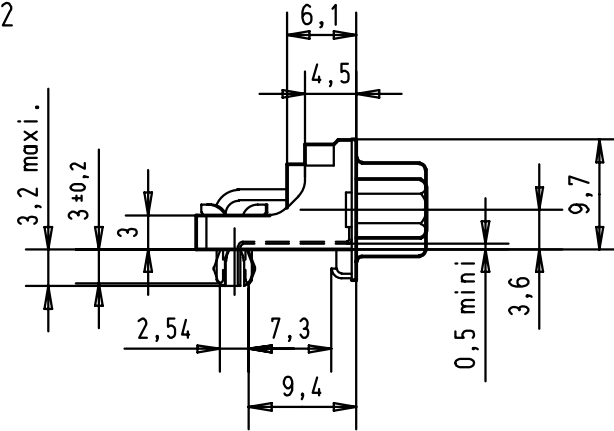
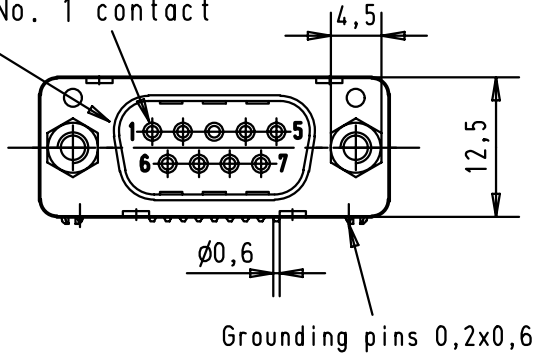


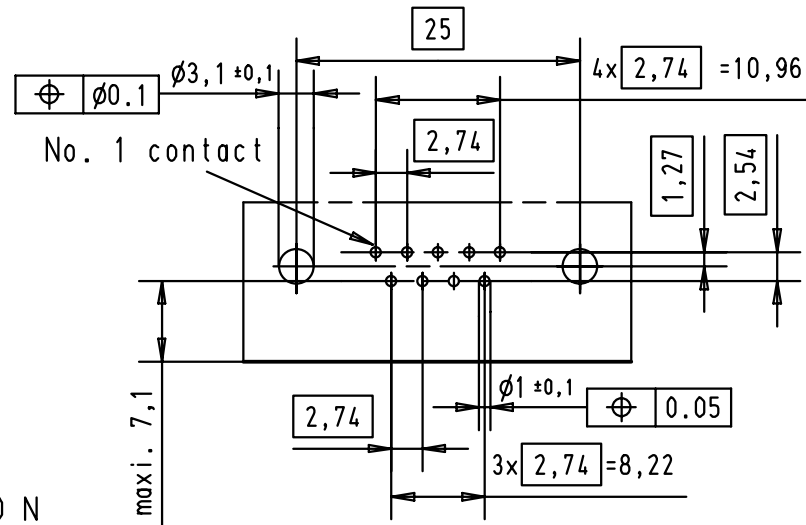
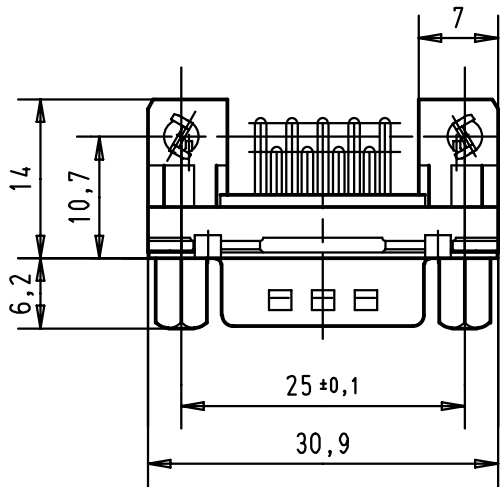
5 4 3 2 1

Mating face according to MIL-C-24308 / DIN 41 652 / CECC 75301-802

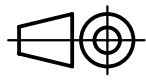

No. 1 contact



Printed board layout (1,6±0,2 thick)  
View component side  
(PCB plating = Tin)



Mounting force on Printed board : 25 - 80 N

					Dat.		Name		 All Dim. in mm Orig. Size DIN A 4	D-Sub male low profile 9 poles with solder pins, screw-lock, board lock and grounding pins	Maßstab/ Scale  1,5:1
					Detail.		JB				
					Insp.						
					Stand.						Blatt/ Page 5
09 66 162 6817		4-40 UNC		2							
09 66 162 7817		4-40 UNC		3		29749		14-FEB-02 JB			
09 66 162 5817		4-40 UNC		0,76 µm Au		29733		23-NOV-01 JB			
Part number		screw-lock		Performance level		Mod.		Dat.		Name	
					HARTING EURL F-95972 Paris					 TB 09 66 162 X81x Sub.	