

5

4

3

2

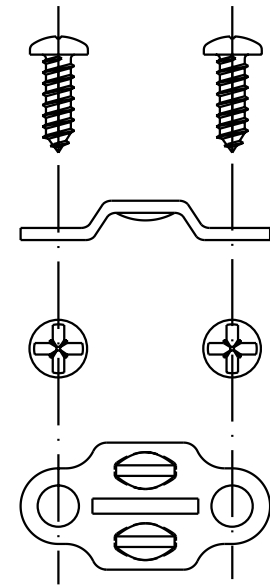
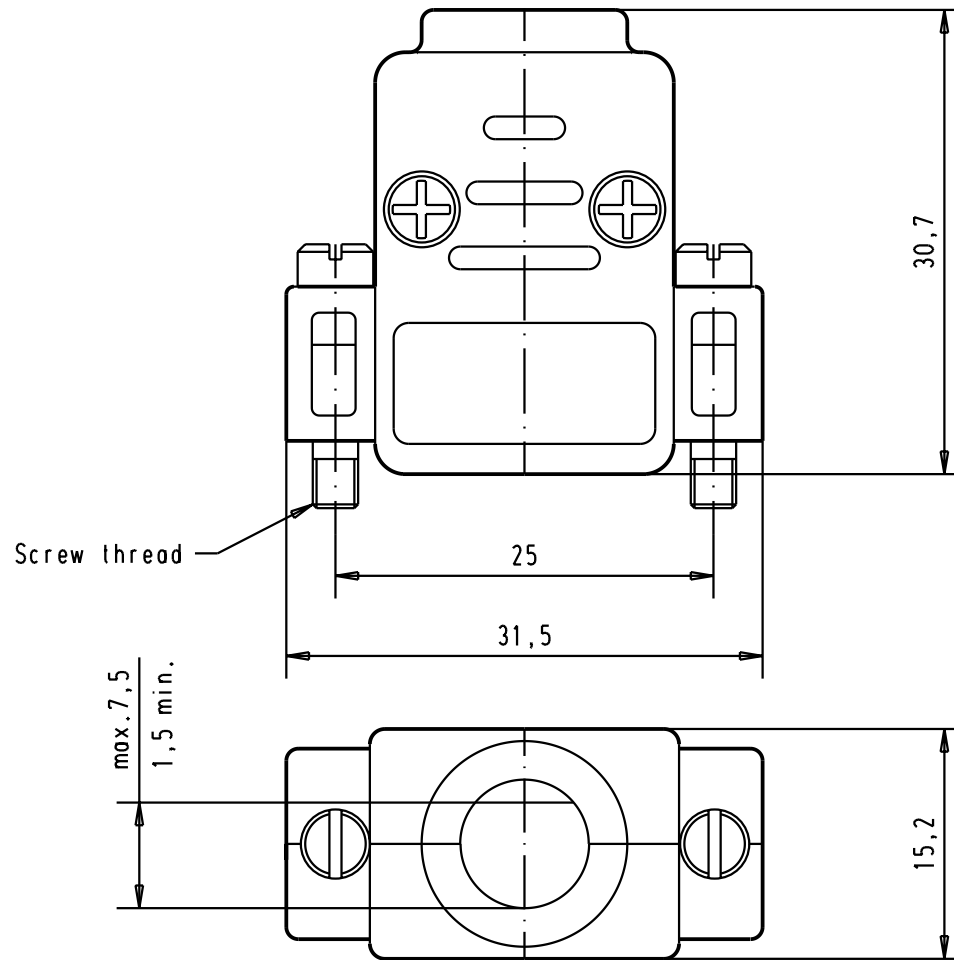
1

D

C

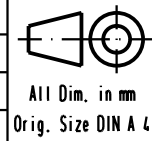
B

A



09 67 009 0423	M3								
09 67 009 0443	4-40 UNC		31085	4-SEP-02	CV				
Part number	Screw thread		Mod.	Dat.	Name				

	Dat.	Name
Detail.	4-SEP-02	CV
Insp.		
Stand.		
HARTING EURL F-95972 Paris		



D-Sub thermoplastic metallized hood 9 poles with short locking screws.	TB 0967 009 04x3
	Sub.

Maßstab/ Scale	2:1
Blatt/ Page	1/