

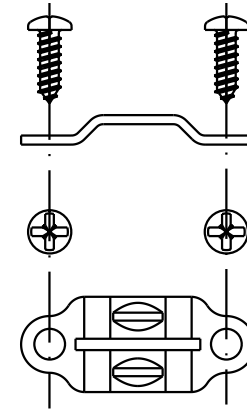
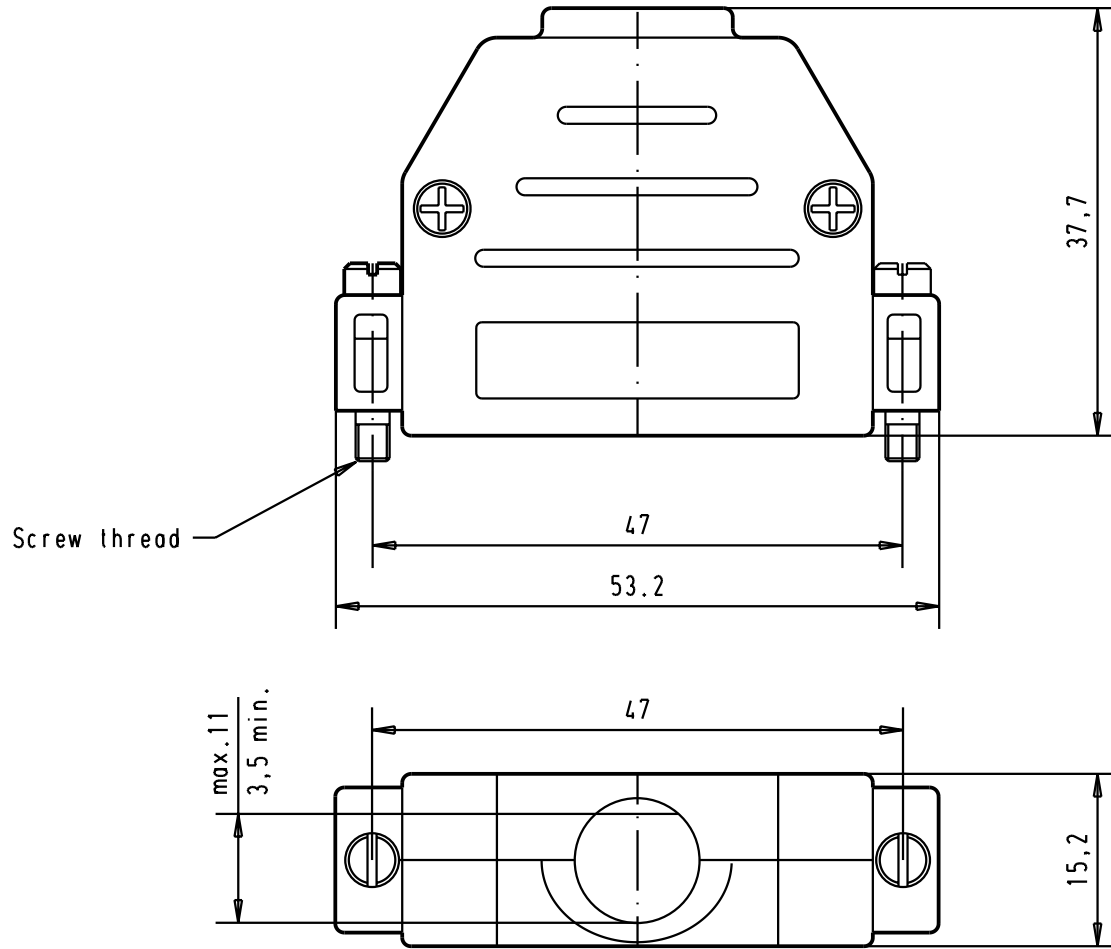
5

4

3

2

1



D
C
B
A

							Detail.	4-SEP-02	CV
							Insp.		
							Stand.		
09 67 025 0423	M3						HARTING EURL F-95972 Paris		
09 67 025 0443	4-40 UNC		31085	4-SEP-02	CV				
Part number	Screw thread		Mod.	Dat.	Name				



All Dim. in mm
Orig. Size DIN A 4



D-Sub, thermoplastic metallized hood, 25 poles with short locking screws.

Moßstab/
Scale
1.5:1

TB 0967 025 04x3

Sub.

Blatt/ Page
1