

BACKSHELL KIT INCLUDES:

(2) BACKSHELL HALVES

(2) 4-40 THUMBSCREWS

(2) HOUSING SCREWS

(1) SET OF COMPRESSION INSERTS - (9 POSITION ~ 37 POSITION)

DIAMETERS: 4mm (.157"), 5mm (.197"), 7mm (.276"), 9mm (.351")

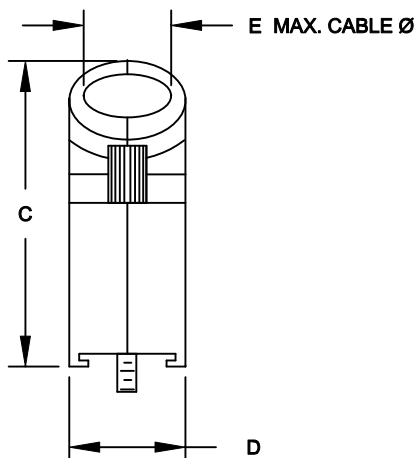
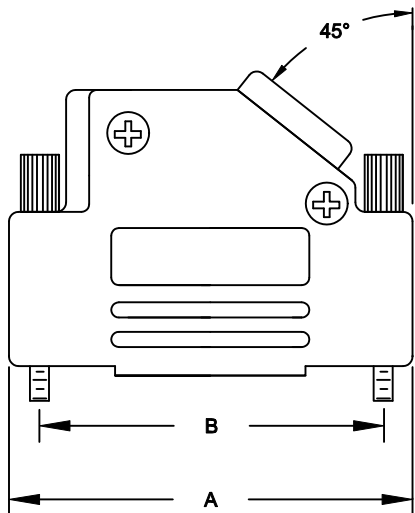
(1) SET OF COMPRESSION INSERTS - (9 POSITION ~ 37 POSITION)

DIAMETERS: 11mm (.433"), 12.5mm (.492"), 14mm (.551"), 15mm (.591")

NOTE: 9 POSITION HAS ONLY 1 THUMBSCREW

(OPPOSITE CABLE ENTRY)

DIMENSIONS (mm/in)					
SIZE:	A $\pm .25$ $\pm .010$	B $\pm .13$ $\pm .005$	C $\pm .25$ $\pm .010$	D $\pm .25$ $\pm .010$	E
9	31.00	24.99	36.30	14.50	13.00
	1.220	0.984	1.429	0.571	0.512
15	39.50	33.32	40.30	14.50	13.00
	1.555	1.312	1.587	0.571	0.512
25	53.20	47.04	40.30	14.50	13.00
	2.094	1.852	1.587	0.571	0.512
37	69.70	63.50	40.30	14.50	13.00
	2.744	2.500	1.587	0.571	0.512
50	67.40	61.11	44.90	17.40	17.00
	2.654	2.406	1.768	0.689	0.669



ORDERING INFORMATION

SIZE:	P/N KITTED:	PRODUCT CODE:
9-WAY	6560-0106-11	MHD45ZK-9-K
15-WAY	6560-0106-12	MHD45ZK-15-K
25-WAY	6560-0106-13	MHD45ZK-25-K
37-WAY	6560-0106-14	MHD45ZK-37-K

SIZE:	P/N BULK:	PRODUCT CODE:
9-WAY	6561-0106-11	MHD45ZK-9
15-WAY	6561-0106-12	MHD45ZK-15
25-WAY	6561-0106-13	MHD45ZK-25
37-WAY	6561-0106-14	MHD45ZK-37

PLASTIC: DIE CAST ZINC ALLOY

NICKEL PLATED

4-40 THUMBSCREWS: STEEL - Zn PLATED

HOOD SCREWS: STEEL - Zn PLATED

COMPRESSION INSERTS: ABS UL RECOGNIZED

OPERATING TEMP: -40°C TO +120°C

THESE DRAWINGS AND SPECIFICATIONS ARE THE PROPERTY OF MH CONNECTORS LTD. AND SHALL NOT BE REPRODUCED, COPIED OR USED AS THE BASIS FOR THE MANUFACTURE OR SALE OF APPARATUS WITHOUT WRITTEN PERMISSION.

DRAWN	DATE
P. JENKINS	03-14-12

APPROVED	DATE
D. CROFT	03-14-12

SCALE	SHEET	OF	REV:
NTS	1	1	A

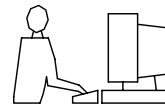
DRAWING No
MHD45ZK SERIES

RoHS COMPLIANT



MH CONNECTORS LTD.

THIS IS A C.A.D. GENERATED DRAWING
DO NOT MAKE MANUAL REVISIONS TO MASTER.



* UNLESS OTHERWISE SPECIFIED TOLERANCES
ON DECIMAL IS: ANGLE $\pm 1^\circ$
.X ± 0.15
.XX ± 0.05

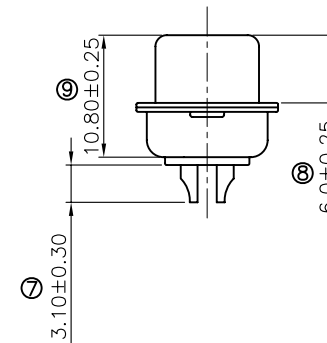
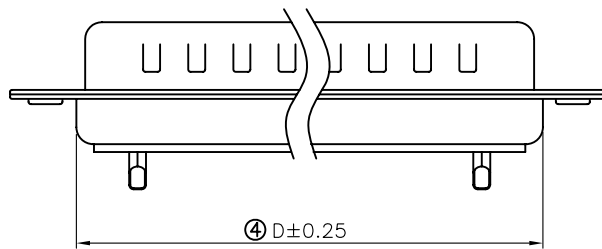
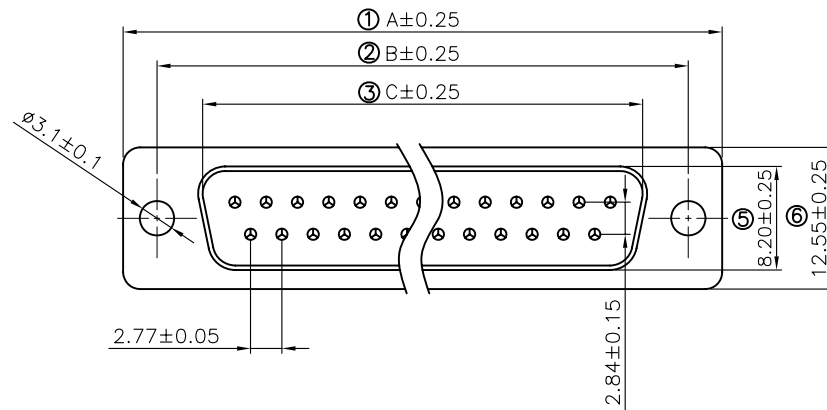
Remark:

1.SPECIFICATION:

Rated voltage:250V
Rates current:5AMP
Contact resistance:20M Ω MAX
Insulation resistance:1000M Ω MIN.at 500V DC
Withstand voltage:500V Per minute
Temperature range:-55 -105 $^\circ$ C

2.MATERIAL:

Plastic:PBT+30% G.F (UL94V-0) BLACK
Terminal:brass ,tin-gold plated
Spcc shell:Spcc front shell is ni plated back shell is tin plated



PN	PIN	A	B	C	D
MHDB9SP	09	30.81	24.99	16.92	19.28
MHDB15SP	15	39.25	33.32	25.25	27.75
MHDB25SP	25	53.03	47.04	38.96	41.30
MHDB37SP	37	69.50	63.50	55.42	57.40

THESE DRAWINGS AND SPECIFICATIONS ARE THE PROPERTY OF MH CONNECTORS LTD. AND SHALL NOT BE REPRODUCED, COPIED OR USED AS THE BASIS FOR THE MANUFACTURE OR SALE OF APPARATUS WITHOUT WRITTEN PERMISSION.

DRAWN Johnny	DATE 07-16-12
APPROVED	DATE

SCALE 1:1	SHEET OF 1 OF 1	REV: 1
--------------	--------------------	-----------

DRAWING No
MHDB SP



THIS SERIES FULLY CONFORMS TO THE
EUROPEAN UNION DIRECTIVES 2002/95/EC
AND 2002/96/EC FOR RoHS COMPLIANCY.



MH CONNECTORS LTD.