

**BACKSHELL KIT INCLUDES:**

(2) BACKSHELL HALVES

(2) 4-40 THUMBSCREWS

(2) HOUSING SCREWS

(1) SET OF COMPRESSION INSERTS - (9 POSITION ~ 37 POSITION)

DIAMETERS: 4mm (.157"), 5mm (.197"), 7mm (.276"), 9mm (.351")

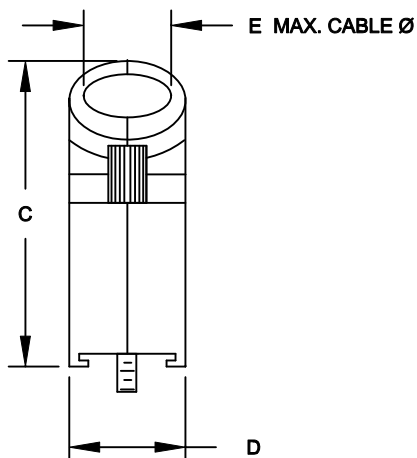
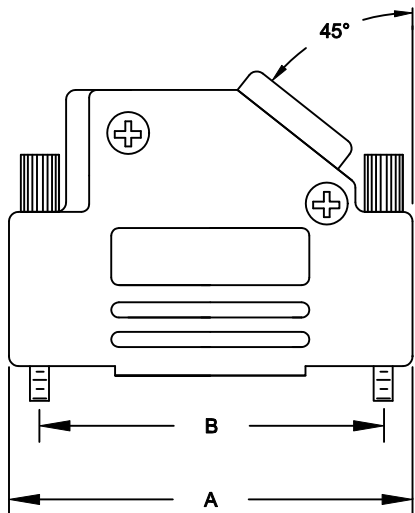
(1) SET OF COMPRESSION INSERTS - (9 POSITION ~ 37 POSITION)

DIAMETERS: 11mm (.433"), 12.5mm (.492"), 14mm (.551"), 15mm (.591")

**NOTE: 9 POSITION HAS ONLY 1 THUMBSCREW**

(OPPOSITE CABLE ENTRY)

| DIMENSIONS (mm/in) |                           |                           |                           |                           |       |
|--------------------|---------------------------|---------------------------|---------------------------|---------------------------|-------|
| SIZE:              | A $\pm .25$<br>$\pm .010$ | B $\pm .13$<br>$\pm .005$ | C $\pm .25$<br>$\pm .010$ | D $\pm .25$<br>$\pm .010$ | E     |
| 9                  | 31.00                     | 24.99                     | 36.30                     | 14.50                     | 13.00 |
|                    | 1.220                     | 0.984                     | 1.429                     | 0.571                     | 0.512 |
| 15                 | 39.50                     | 33.32                     | 40.30                     | 14.50                     | 13.00 |
|                    | 1.555                     | 1.312                     | 1.587                     | 0.571                     | 0.512 |
| 25                 | 53.20                     | 47.04                     | 40.30                     | 14.50                     | 13.00 |
|                    | 2.094                     | 1.852                     | 1.587                     | 0.571                     | 0.512 |
| 37                 | 69.70                     | 63.50                     | 40.30                     | 14.50                     | 13.00 |
|                    | 2.744                     | 2.500                     | 1.587                     | 0.571                     | 0.512 |
| 50                 | 67.40                     | 61.11                     | 44.90                     | 17.40                     | 17.00 |
|                    | 2.654                     | 2.406                     | 1.768                     | 0.689                     | 0.669 |



**ORDERING INFORMATION**

| SIZE:  | P/N KITTED:  | PRODUCT CODE: |
|--------|--------------|---------------|
| 9-WAY  | 6560-0106-11 | MHD45ZK-9-K   |
| 15-WAY | 6560-0106-12 | MHD45ZK-15-K  |
| 25-WAY | 6560-0106-13 | MHD45ZK-25-K  |
| 37-WAY | 6560-0106-14 | MHD45ZK-37-K  |

| SIZE:  | P/N BULK:    | PRODUCT CODE: |
|--------|--------------|---------------|
| 9-WAY  | 6561-0106-11 | MHD45ZK-9     |
| 15-WAY | 6561-0106-12 | MHD45ZK-15    |
| 25-WAY | 6561-0106-13 | MHD45ZK-25    |
| 37-WAY | 6561-0106-14 | MHD45ZK-37    |

PLASTIC: DIE CAST ZINC ALLOY

NICKEL PLATED

4-40 THUMBSCREWS: STEEL - Zn PLATED

HOOD SCREWS: STEEL - Zn PLATED

COMPRESSION INSERTS: ABS UL RECOGNIZED

OPERATING TEMP: -40°C TO +120°C

THESE DRAWINGS AND SPECIFICATIONS ARE THE PROPERTY OF MH CONNECTORS LTD. AND SHALL NOT BE REPRODUCED, COPIED OR USED AS THE BASIS FOR THE MANUFACTURE OR SALE OF APPARATUS WITHOUT WRITTEN PERMISSION.

|              |             |
|--------------|-------------|
| <b>DRAWN</b> | <b>DATE</b> |
| P. JENKINS   | 03-14-12    |

|                 |             |
|-----------------|-------------|
| <b>APPROVED</b> | <b>DATE</b> |
| D. CROFT        | 03-14-12    |

|              |              |           |             |
|--------------|--------------|-----------|-------------|
| <b>SCALE</b> | <b>SHEET</b> | <b>OF</b> | <b>REV:</b> |
| NTS          | 1            | 1         | A           |

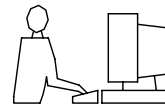
**DRAWING No**  
MHD45ZK SERIES

**RoHS COMPLIANT**



**MH CONNECTORS LTD.**

THIS IS A C.A.D. GENERATED DRAWING  
DO NOT MAKE MANUAL REVISIONS TO MASTER.



\* UNLESS OTHERWISE SPECIFIED TOLERANCES  
ON DECIMAL IS: ANGLE  $\pm 1^\circ$   
.X  $\pm 0.15$   
.XX  $\pm 0.05$

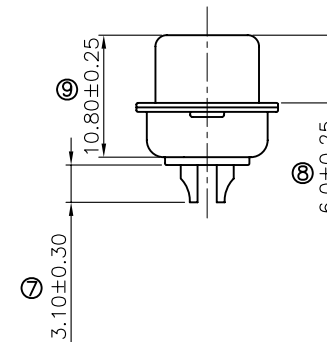
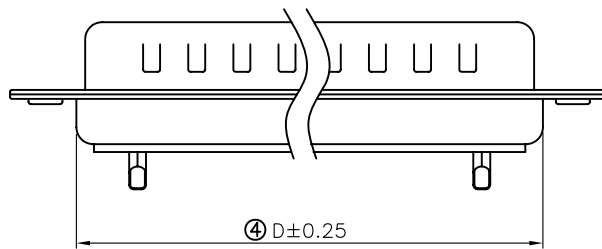
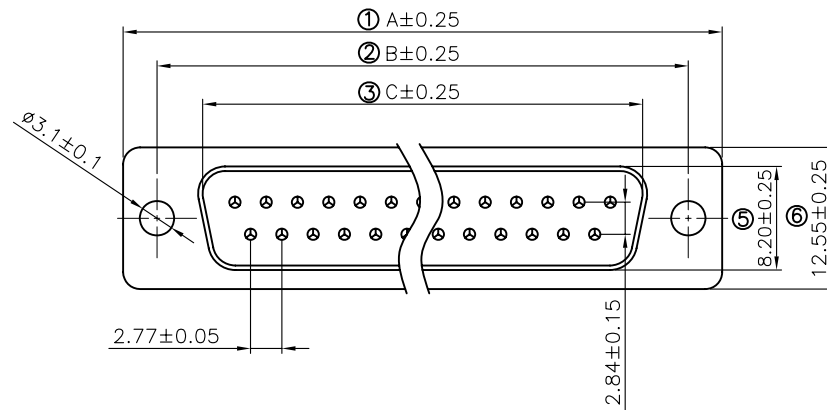
Remark:

1.SPECIFICATION:

Rated voltage:250V  
Rates current:5AMP  
Contact resistance:20MΩ MAX  
Insulation resistance:1000MΩ MIN.at 500V DC  
Withstand voltage:500V Per mintute  
Temperature range:-55 -105°C

2.MATERIAL:

Plastic:PBT+30% G.F (UL94V-0) BLACK  
Terminal:brass ,tin-gold plated  
Spcc shell:Spcc front shell is ni plated back shell is tin plated



| PN       | PIN | A     | B     | C     | D     |
|----------|-----|-------|-------|-------|-------|
| MHDB9SP  | 09  | 30.81 | 24.99 | 16.92 | 19.28 |
| MHDB15SP | 15  | 39.25 | 33.32 | 25.25 | 27.75 |
| MHDB25SP | 25  | 53.03 | 47.04 | 38.96 | 41.30 |
| MHDB37SP | 37  | 69.50 | 63.50 | 55.42 | 57.40 |

THESE DRAWINGS AND SPECIFICATIONS ARE THE PROPERTY OF MH CONNECTORS LTD. AND SHALL NOT BE REPRODUCED, COPIED OR USED AS THE BASIS FOR THE MANUFACTURE OR SALE OF APPARATUS WITHOUT WRITTEN PERMISSION.

|                 |                  |
|-----------------|------------------|
| DRAWN<br>Johnny | DATE<br>07-16-12 |
| APPROVED        | DATE             |

|              |                    |           |
|--------------|--------------------|-----------|
| SCALE<br>1:1 | SHEET OF<br>1 OF 1 | REV:<br>1 |
|--------------|--------------------|-----------|

DRAWING No  
MHDB SP



THIS SERIES FULLY CONFORMS TO THE  
EUROPEAN UNION DIRECTIVES 2002/95/EC  
AND 2002/96/EC FOR RoHS COMPLIANCY.



MH CONNECTORS LTD.