

# Female connector - V-RC/TGUM 11/KVD 11/LBL 12 - 1000041

Please be informed that the data shown in this PDF Document is generated from our Online Catalog. Please find the complete data in the user's documentation. Our General Terms of Use for Downloads are valid (<http://download.phoenixcontact.com>)



M23 socket, 12-pos., straight, freely configurable, with solder connection, for external cable diameter of 8 mm ... 12 mm

## Key commercial data

|                         |               |
|-------------------------|---------------|
| <b>package_quantity</b> | 1             |
| <b>GTIN</b>             | 4017918399832 |

## Technical data

### General

|  |  |
|--|--|
| <b>Rated voltage</b>                           | 150 V  |
| <b>Total rated current</b>                     | 8 A (with 1 mm <sup>2</sup> conductor cross section) |
| <b>Number of positions</b>                     | 12   |
| <b>Inflammability class according to UL 94</b> | V0   |

### Ambient conditions

|  |                  |
|--|------------------|
| <b>Degree of protection</b>            | IP65             |
| <b>Degree of protection</b>            | IP67             |
| <b>Ambient temperature (operation)</b> | -20 °C ... 80 °C |

### Master cable data/connection data

|  |                   |
|--|-------------------|
| <b>Connection method</b>                     | M23 screw locking |
| <b>Conductor cross section max. (signal)</b> | 1 mm <sup>2</sup> |
| <b>Conductor cross section max. (energy)</b> | 1 mm <sup>2</sup> |
| <b>External cable diameter min.</b>          | 8 mm              |
| <b>External cable diameter max.</b>          | 12 mm             |

### Insulation material

|                                 |               |
|---------------------------------|---------------|
| <b>Housing material</b>         | GD-Zn         |
| <b>Housing surface material</b> | Nickel-plated |
| <b>Contact material</b>         | CuZn          |
| <b>Contact surface material</b> | Gold-plated   |
| <b>Contact carrier material</b> | PBT           |

### Connection assignment

|  |                    |
|--|--------------------|
| <b>Slot/position = pin = conductor color</b> | 1 / 4 (A) = 1 = WH |
| <b>Slot/position = pin = conductor color</b> | 2 / 4 (A) = 2 = GN |

# Female connector - V-RC/TGUM 11/KVD 11/LBL 12 - 1000041

## Technical data

### Connection assignment

|                                       |                             |
|---------------------------------------|-----------------------------|
| Slot/position = pin = conductor color | 3 / 4 (A) = 3 = YE          |
| Slot/position = pin = conductor color | 4 / 4 (A) = 4 = GY          |
| Slot/position = pin = conductor color | 5 / 4 (A) = 5 = PK          |
| Slot/position = pin = conductor color | 6 / 4 (A) = 6 = RD          |
| Slot/position = pin = conductor color | 7 / 4 (A) = 7 = BK          |
| Slot/position = pin = conductor color | 8 / 4 (A) = 8 = VT          |
| Slot/position = pin = conductor color | 1-8 / 1 (+ 120 V) = 11 = BN |
| Slot/position = pin = conductor color | 1-8 / 3 (0 V) = 9+10 = BU   |
| Slot/position = pin = conductor color | 1-8 / 5 (PE) = 12 = GN/YE   |

## classifications

### eCl@ss

|            |          |
|------------|----------|
| eCl@ss 4.0 | 272607xx |
| eCl@ss 4.1 | 27260701 |
| eCl@ss 5.0 | 27260701 |
| eCl@ss 5.1 | 27260701 |
| eCl@ss 6.0 | 27061801 |
| eCl@ss 7.0 | 27061801 |
| eCl@ss 8.0 | 27061801 |

### ETIM

|          |          |
|----------|----------|
| ETIM 2.0 | EC000437 |
| ETIM 3.0 | EC001121 |
| ETIM 4.0 | EC001121 |
| ETIM 5.0 | EC002641 |

### UNSPSC

|               |          |
|---------------|----------|
| UNSPSC 6.01   | 31261502 |
| UNSPSC 7.0901 | 31261502 |
| UNSPSC 11     | 31261502 |
| UNSPSC 12.01  | 31261502 |
| UNSPSC 13.2   | 31261502 |

## accessories

### Assembly tool

PLUSCON-RCS - 1665062



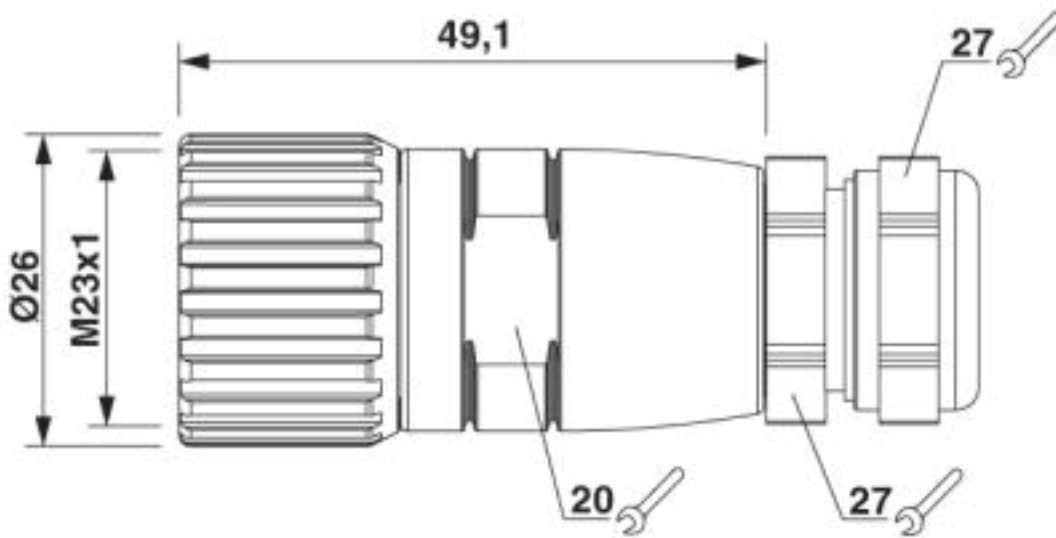
# Female connector - V-RC/TGUM 11/KVD 11/LBL 12 - 1000041

accessories

---

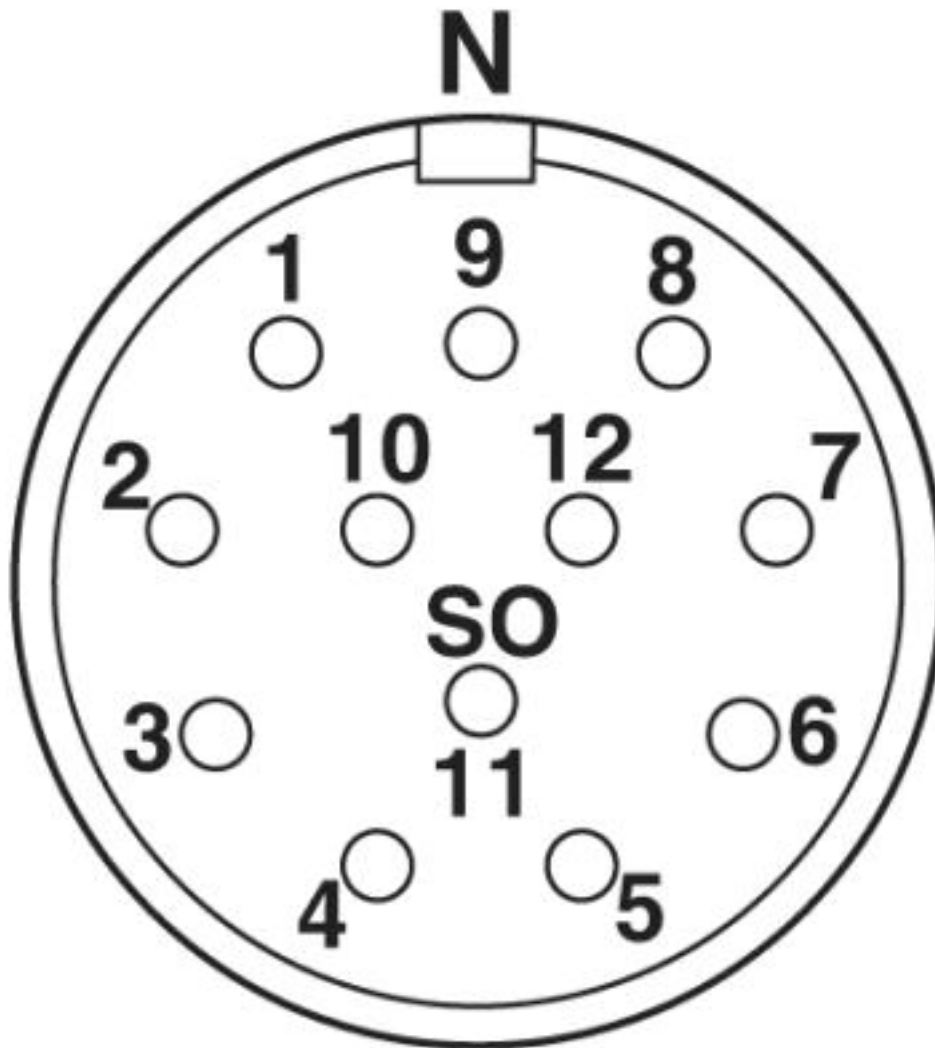
## Drawings

Dimensioned drawing



# Female connector - V-RC/TGUM 11/KVD 11/LBL 12 - 1000041

Schematic diagram



Pin assignment M23 socket, 12-pos., female side view

© Phoenix Contact 2013 - all rights reserved  
<http://www.phoenixcontact.com>