

# Female connector - V-RC/TWUM 11/KVD 11/LBL 12 - 1000043

Please be informed that the data shown in this PDF Document is generated from our Online Catalog. Please find the complete data in the user's documentation. Our General Terms of Use for Downloads are valid (<http://download.phoenixcontact.com>)



M23 socket, 12-pos., angled, freely configurable, with solder connection, for external cable diameter of 8 mm ... 12 mm

## Key commercial data

<b>package_quantity</b>	1
<b>GTIN</b>	4017918399856

## Technical data

### General

<b>Rated voltage</b>	150 V
<b>Total rated current</b>	8 A (with 1 mm <sup>2</sup> conductor cross section)
<b>Number of positions</b>	12
<b>Inflammability class according to UL 94</b>	V0

### Ambient conditions

<b>Degree of protection</b>	IP65
<b>Degree of protection</b>	IP67
<b>Ambient temperature (operation)</b>	-20 °C ... 80 °C

### Master cable data/connection data

<b>Connection method</b>	M23 screw locking
<b>Conductor cross section max. (signal)</b>	1 mm <sup>2</sup>
<b>Conductor cross section max. (energy)</b>	1 mm <sup>2</sup>
<b>External cable diameter min.</b>	8 mm
<b>External cable diameter max.</b>	12 mm

### Insulation material

<b>Housing material</b>	GD-Zn
<b>Housing surface material</b>	Nickel-plated
<b>Contact material</b>	CuZn
<b>Contact surface material</b>	Gold-plated
<b>Contact carrier material</b>	PBT

### Connection assignment

<b>Slot/position = pin = conductor color</b>	1 / 4 (A) = 1 = WH
<b>Slot/position = pin = conductor color</b>	2 / 4 (A) = 2 = GN

# Female connector - V-RC/TWUM 11/KVD 11/LBL 12 - 1000043

## Technical data

### Connection assignment

Slot/position = pin = conductor color	3 / 4 (A) = 3 = YE
Slot/position = pin = conductor color	4 / 4 (A) = 4 = GY
Slot/position = pin = conductor color	5 / 4 (A) = 5 = PK
Slot/position = pin = conductor color	6 / 4 (A) = 6 = RD
Slot/position = pin = conductor color	7 / 4 (A) = 7 = BK
Slot/position = pin = conductor color	8 / 4 (A) = 8 = VT
Slot/position = pin = conductor color	1-8 / 1 (+ 120 V) = 11 = BN
Slot/position = pin = conductor color	1-8 / 3 (0 V) = 9+10 = BU
Slot/position = pin = conductor color	1-8 / 5 (PE) = 12 = GN/YE

## classifications

### eCl@ss

eCl@ss 4.0	272607xx
eCl@ss 4.1	27260701
eCl@ss 5.0	27260701
eCl@ss 5.1	27260701
eCl@ss 6.0	27061801
eCl@ss 7.0	27061801
eCl@ss 8.0	27061801

### ETIM

ETIM 2.0	EC000437
ETIM 3.0	EC001121
ETIM 4.0	EC001121
ETIM 5.0	EC002641

### UNSPSC

UNSPSC 6.01	31261502
UNSPSC 7.0901	31261502
UNSPSC 11	31261502
UNSPSC 12.01	31261502
UNSPSC 13.2	31261502

## accessories

### Assembly tool

PLUSCON-RCS - 1665062

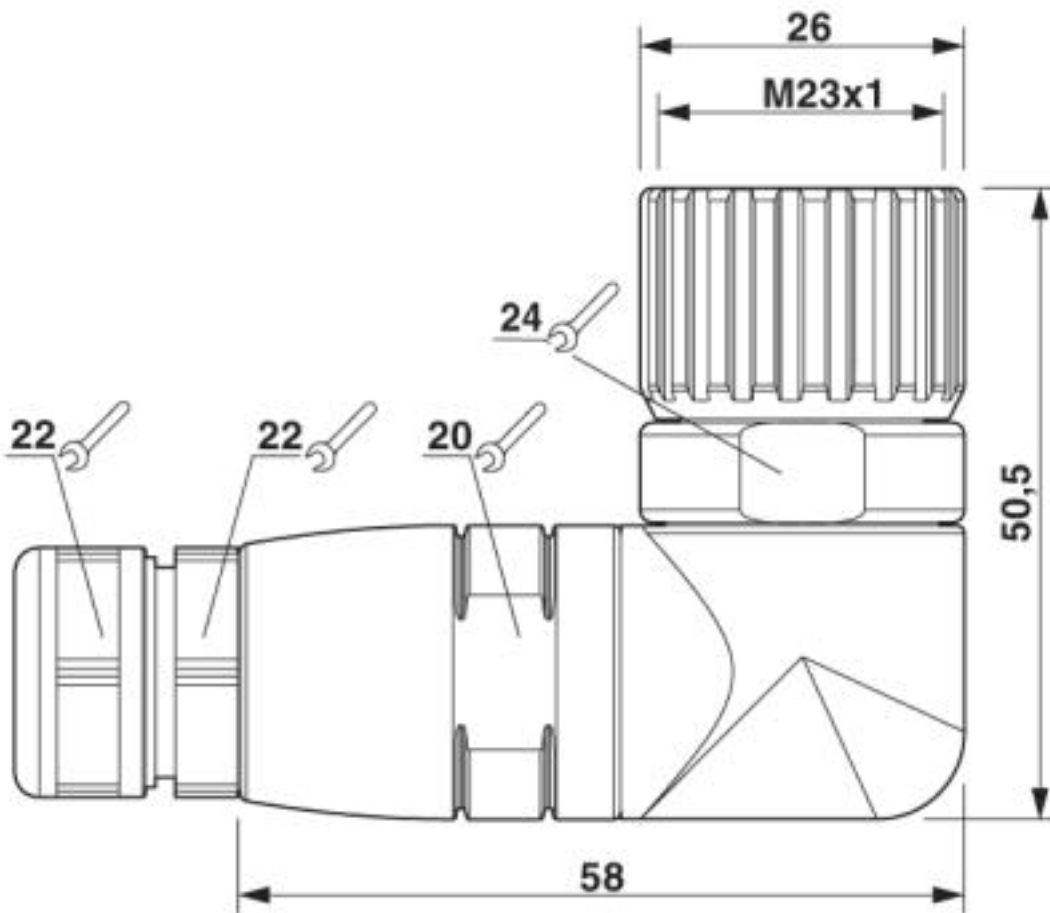


# Female connector - V-RC/TWUM 11/KVD 11/LBL 12 - 1000043

accessories

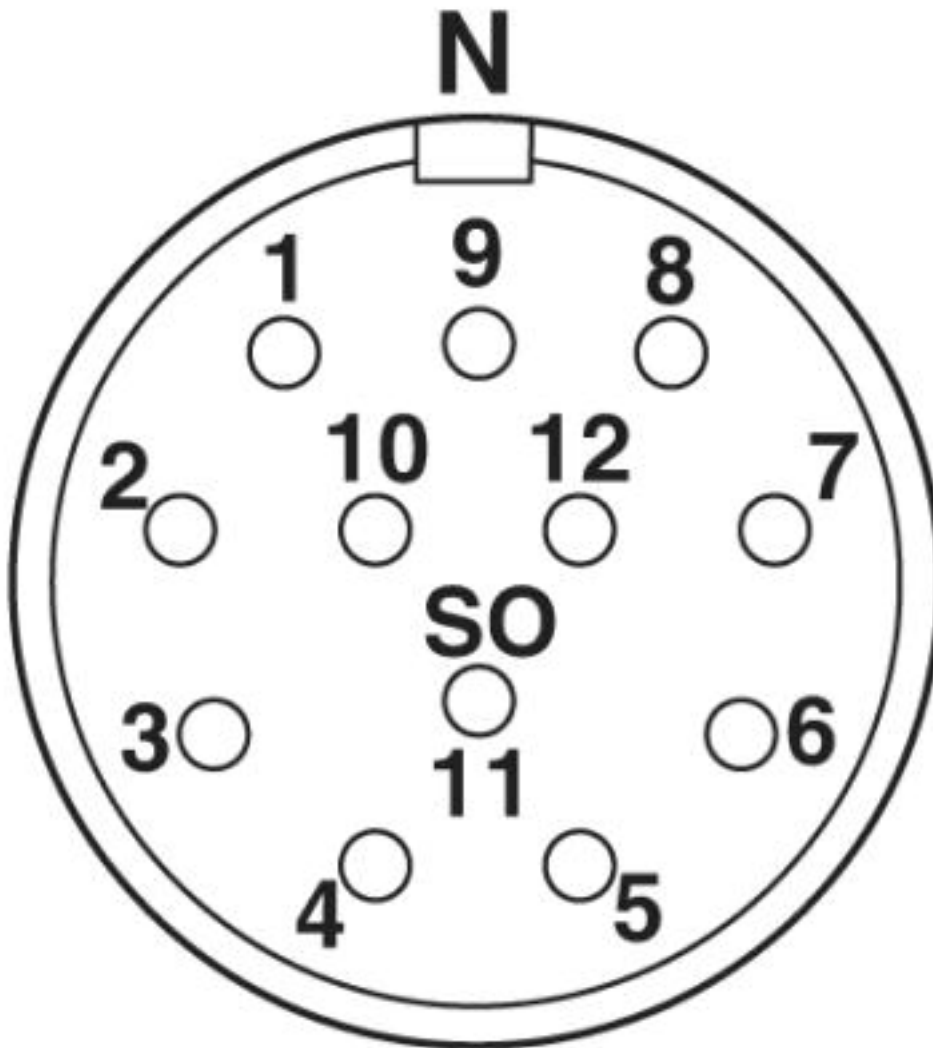
## Drawings

Dimensioned drawing



## Female connector - V-RC/TWUM 11/KVD 11/LBL 12 - 1000043

Schematic diagram



Pin assignment M23 socket, 12-pos., female side view

© Phoenix Contact 2013 - all rights reserved  
<http://www.phoenixcontact.com>