

Panel mounting frames - VS-PPC-F1-RJ45-MNNA-1C-F - 1405222

Please be informed that the data shown in this PDF Document is generated from our Online Catalog. Please find the complete data in the user's documentation. Our General Terms of Use for Downloads are valid (<http://download.phoenixcontact.com>)



RJ45 panel mounting frame, IP67, for push-pull interlocking, metal, with Freenet system, for round mounting cutout, with seal



Key commercial data

package_quantity	1
GTIN	4046356334792

Technical data

Mechanical characteristics

Locking type	Push Pull
Insertion/withdrawal cycles	>= 100
Color	silver

Ambient conditions

Ambient temperature (operation)	-40 °C ... 70 °C
Degree of protection	IP65/67

Material data

Housing material	Zinc die-cast
Housing surface material	Nickel-plated
Material	Metal
Sealing material	NBR

Electrical characteristics

Pollution degree	2
------------------	---

classifications

eCl@ss

eCl@ss 4.0	272607xx
eCl@ss 4.1	27260701
eCl@ss 5.0	27260701
eCl@ss 5.1	27260701
eCl@ss 6.0	27261207

Panel mounting frames - VS-PPC-F1-RJ45-MNNA-1C-F - 1405222

classifications

eCl@ss

eCl@ss 7.0	27440210
eCl@ss 8.0	27440210

ETIM

ETIM 3.0	EC002310
ETIM 4.0	EC002310
ETIM 5.0	EC002310

UNSPSC

UNSPSC 6.01	31261501
UNSPSC 7.0901	31261501
UNSPSC 11	31261501
UNSPSC 12.01	31261501
UNSPSC 13.2	31261501

accessories

Female insert

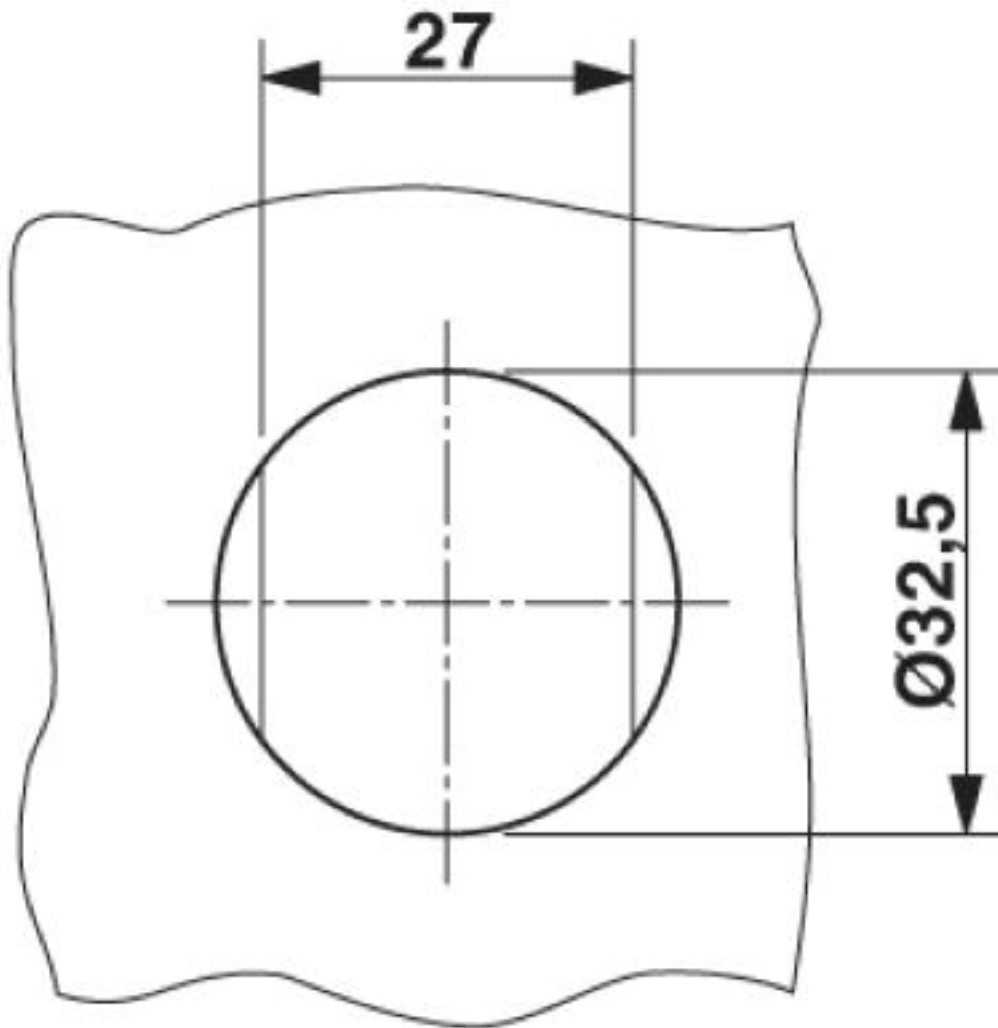
VS-08-BU/BU-RJ45-F - 1405617



Drawings

Panel mounting frames - VS-PPC-F1-RJ45-MNNA-1C-F - 1405222

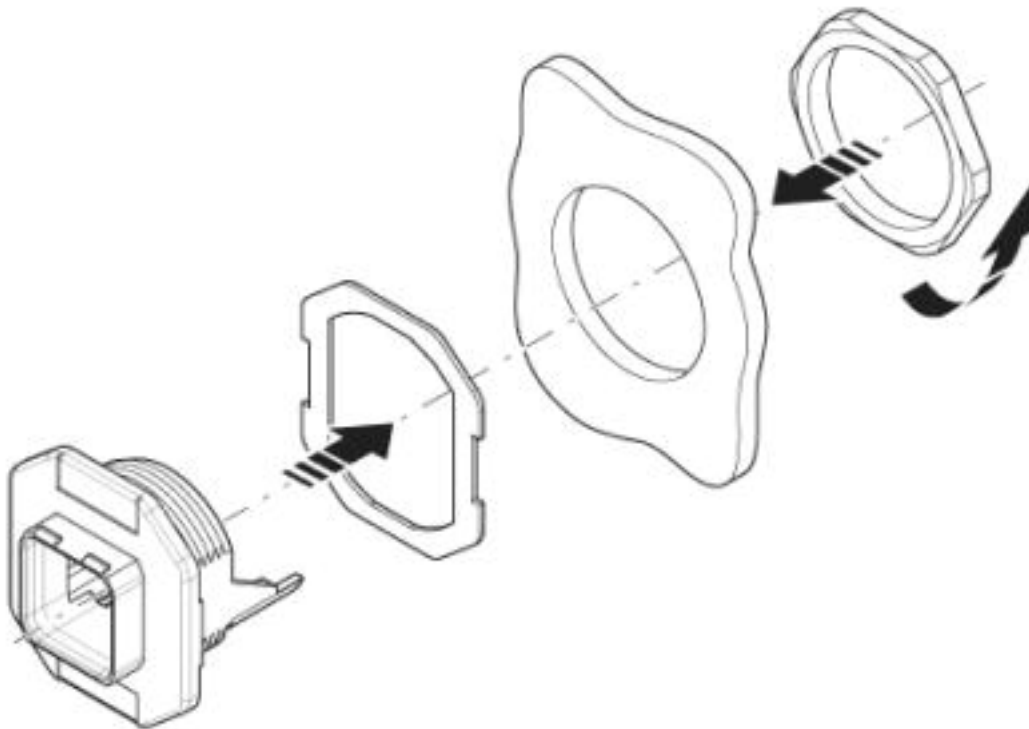
Drilling diagram



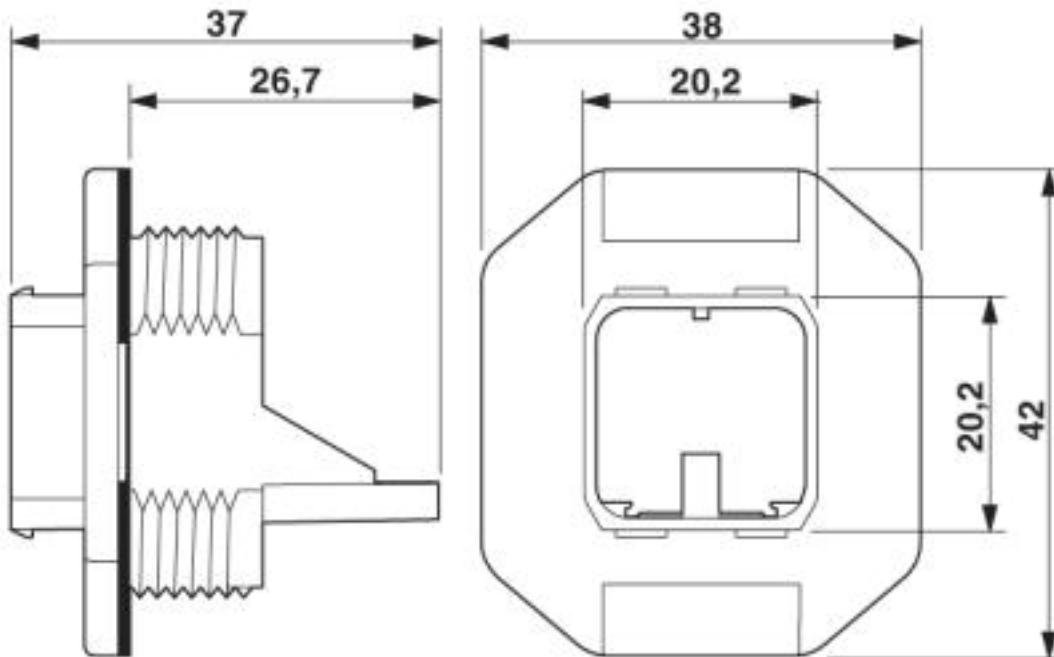
Panel cutout

Panel mounting frames - VS-PPC-F1-RJ45-MNNA-1C-F - 1405222

Explosion drawing



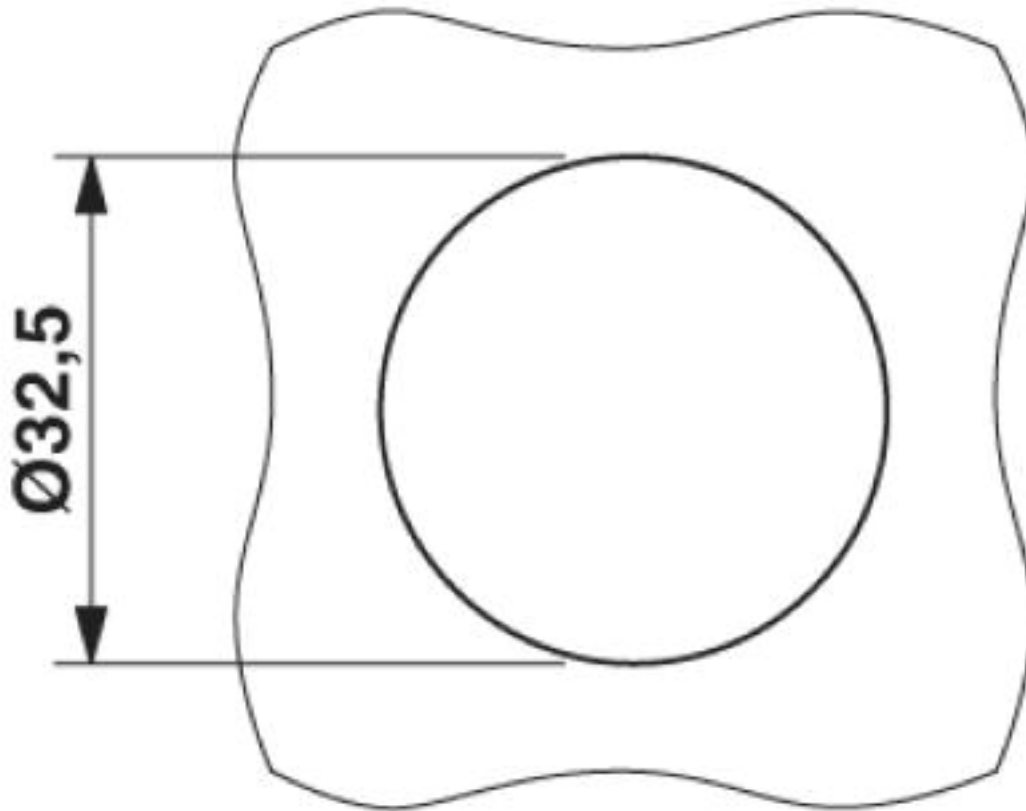
Dimensioned drawing



Push-Pull panel mounting frame, Freenet system, IP67

Panel mounting frames - VS-PPC-F1-RJ45-MNNA-1C-F - 1405222

Dimensioned drawing



Panel cutout

© Phoenix Contact 2013 - all rights reserved
<http://www.phoenixcontact.com>