

Panel mounting frames - VS-PPC-F1-RJ45-MNNA-1R-F - 1405358

Please be informed that the data shown in this PDF Document is generated from our Online Catalog. Please find the complete data in the user's documentation. Our General Terms of Use for Downloads are valid (<http://download.phoenixcontact.com>)



RJ45 panel mounting frame, IP67, for push-pull interlocking, metal, with the Freenet system, for square panel cutout, with grommet, without mounting screws



Key commercial data

package_quantity	1
GTIN	4046356419949

Technical data

Mechanical characteristics

Color	silver
-------	--------

Ambient conditions

Ambient temperature (operation)	-40 °C ... 70 °C
Degree of protection	IP65/67

Material data

Inflammability class according to UL 94	V0
Housing material	Zinc die-cast
Housing surface material	Nickel-plated
Material	Metal

classifications

eCl@ss

eCl@ss 4.0	272607xx
eCl@ss 4.1	27260701
eCl@ss 5.0	27260701
eCl@ss 5.1	27260701
eCl@ss 6.0	27260708
eCl@ss 7.0	27440312
eCl@ss 8.0	27440312

ETIM

ETIM 3.0	EC001121
----------	----------

Panel mounting frames - VS-PPC-F1-RJ45-MNNA-1R-F - 1405358

classifications

ETIM

ETIM 4.0	EC001121
ETIM 5.0	EC002310

UNSPSC

UNSPSC 6.01	31261501
UNSPSC 7.0901	31261501
UNSPSC 11	31261501
UNSPSC 12.01	31261501
UNSPSC 13.2	31261501

accessories

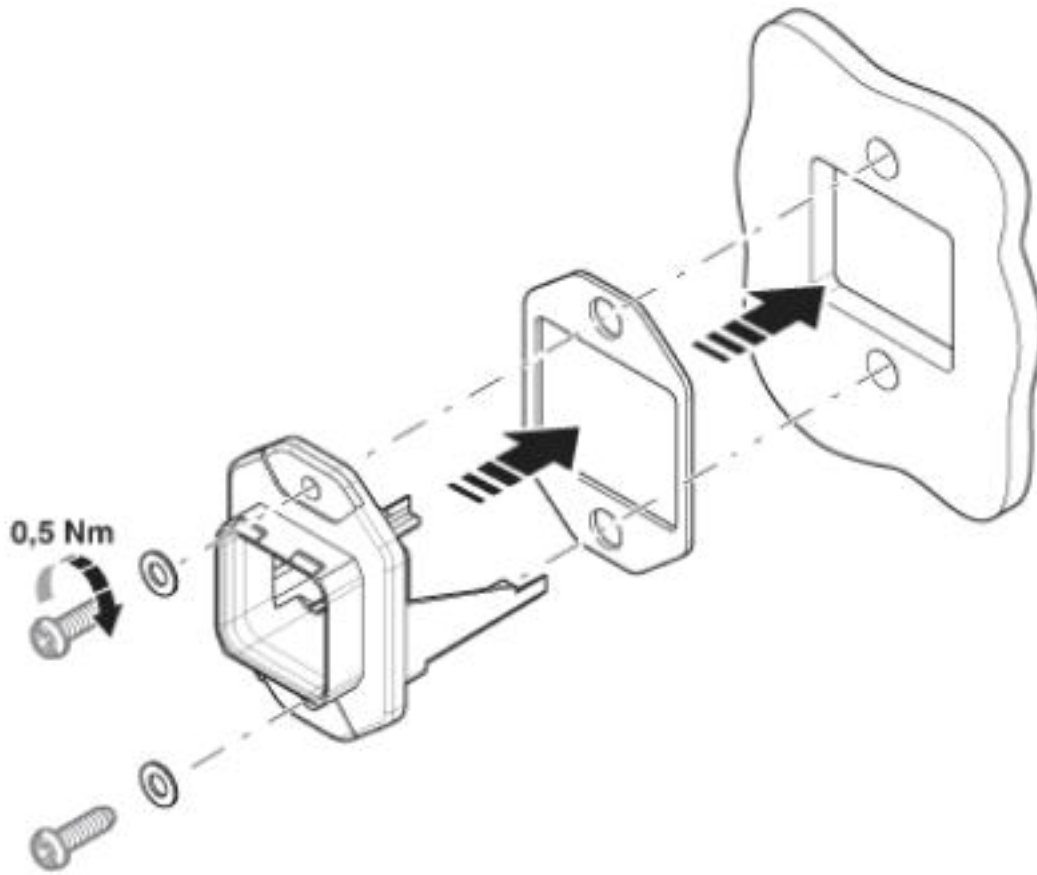
VS-PPC-BU/BU-RJ45-F - 1405604



Drawings

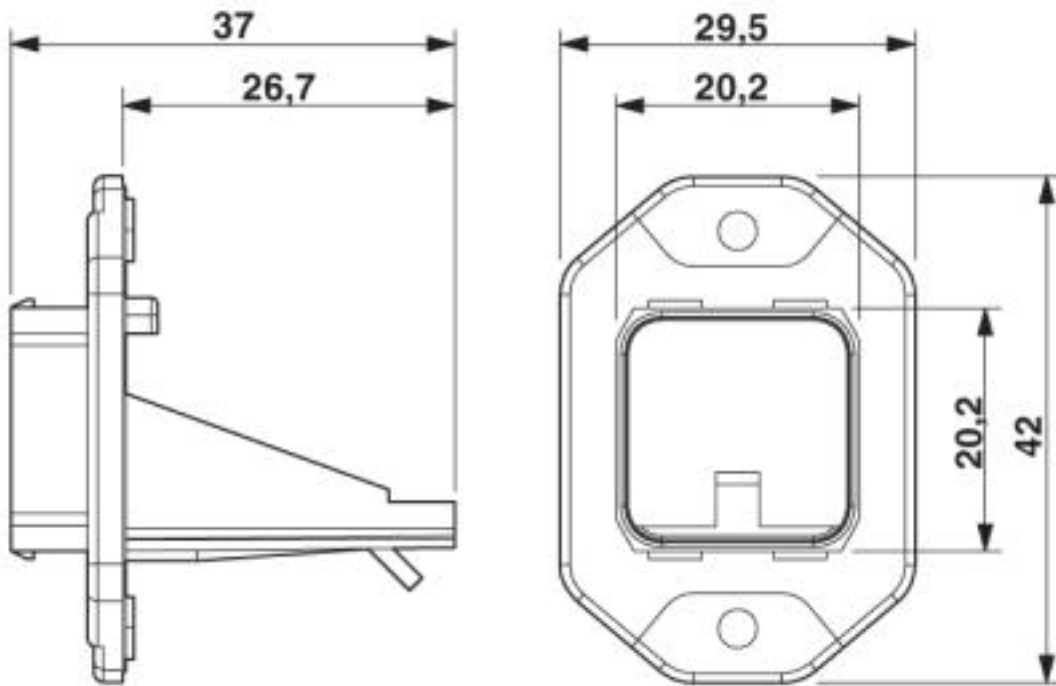
Panel mounting frames - VS-PPC-F1-RJ45-MNNA-1R-F - 1405358

Explosion drawing



Panel mounting frames - VS-PPC-F1-RJ45-MNNA-1R-F - 1405358

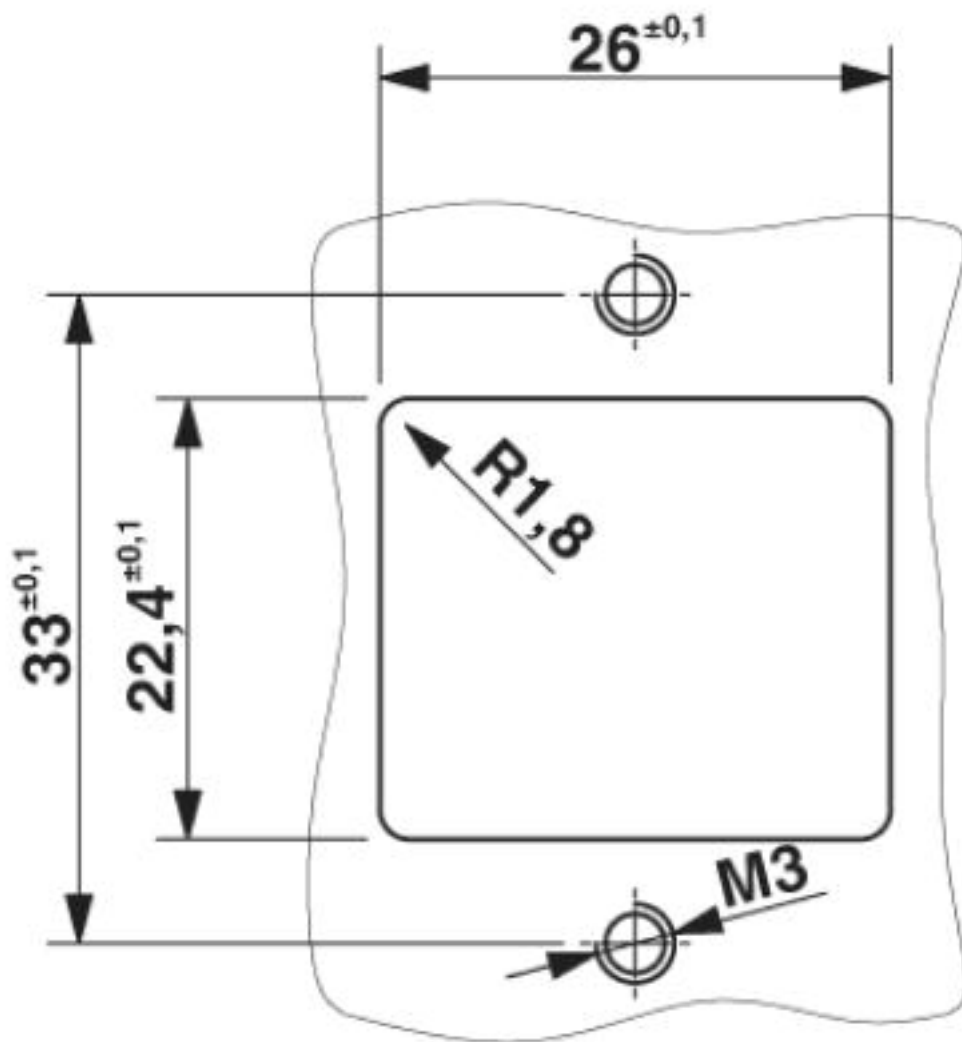
Dimensioned drawing



Push-Pull panel mounting frame, Freenet system, IP67

Panel mounting frames - VS-PPC-F1-RJ45-MNNA-1R-F - 1405358

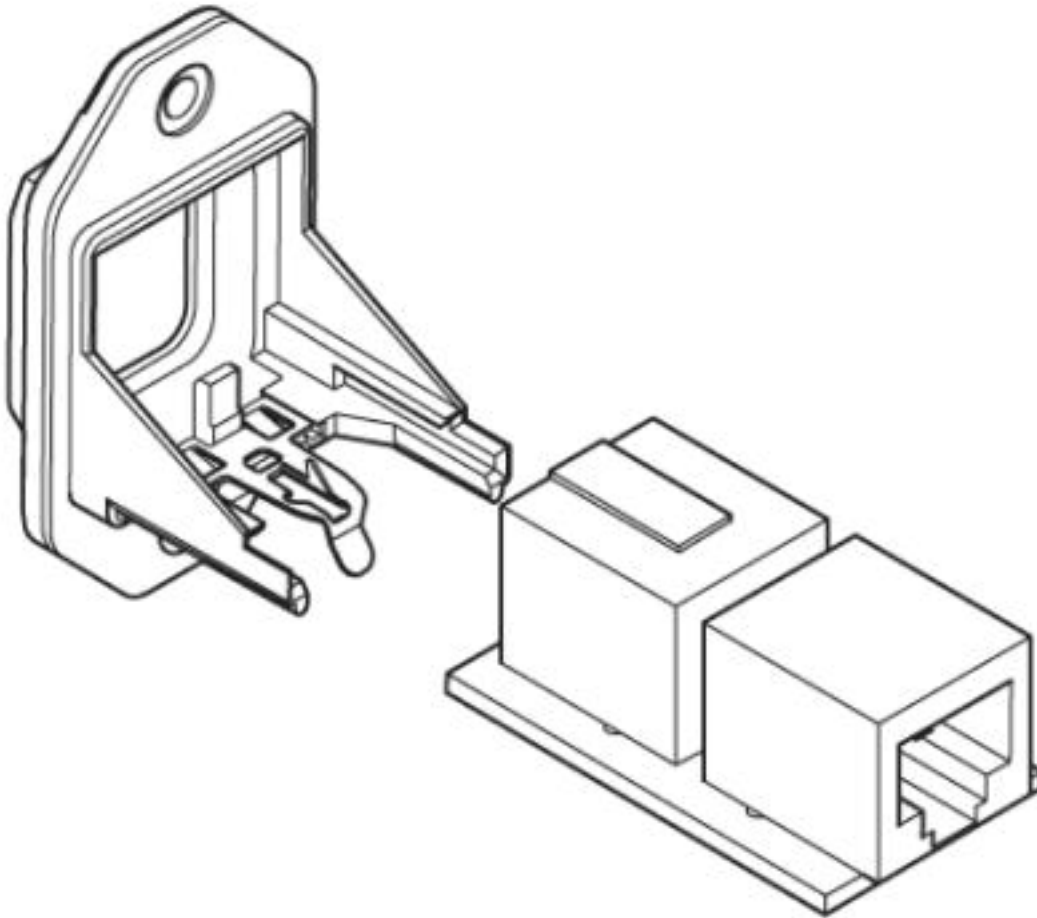
Dimensioned drawing



Panel cutout

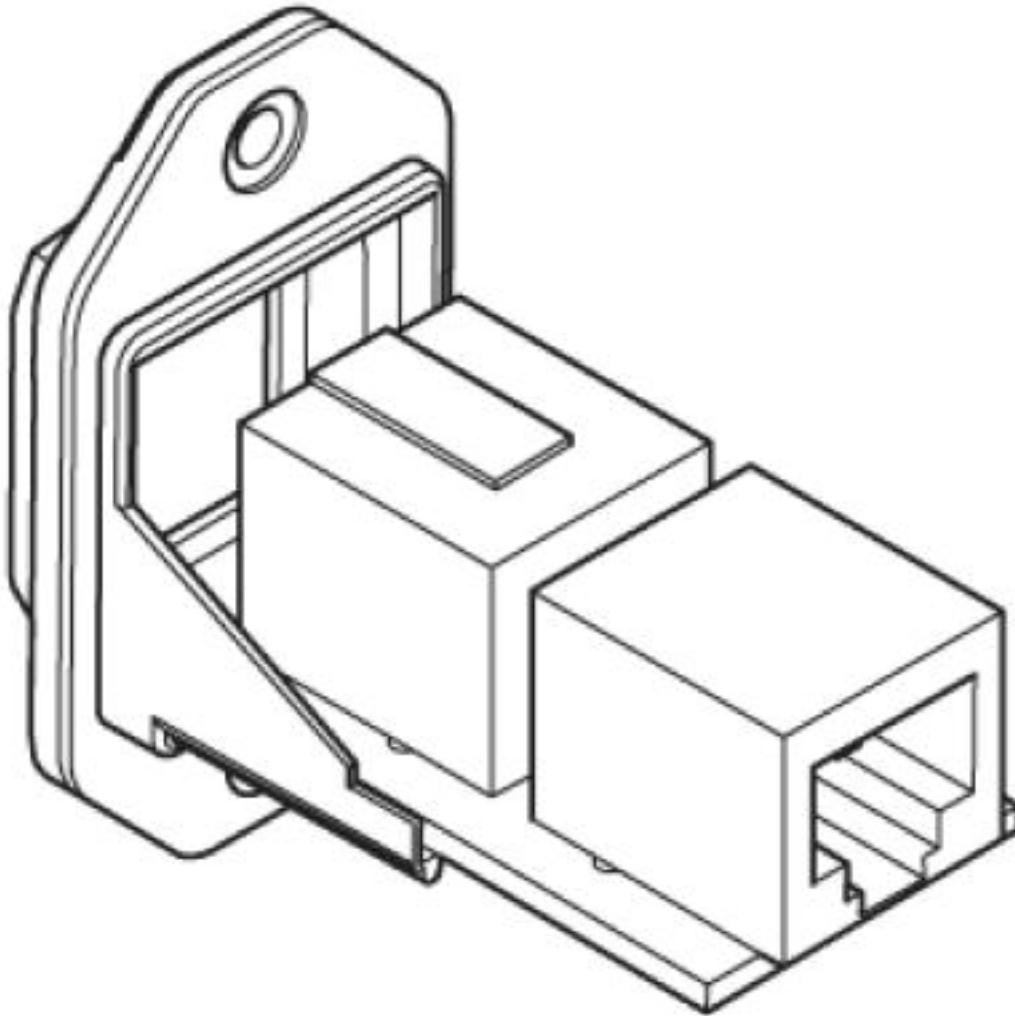
Panel mounting frames - VS-PPC-F1-RJ45-MNNA-1R-F - 1405358

Schematic diagram



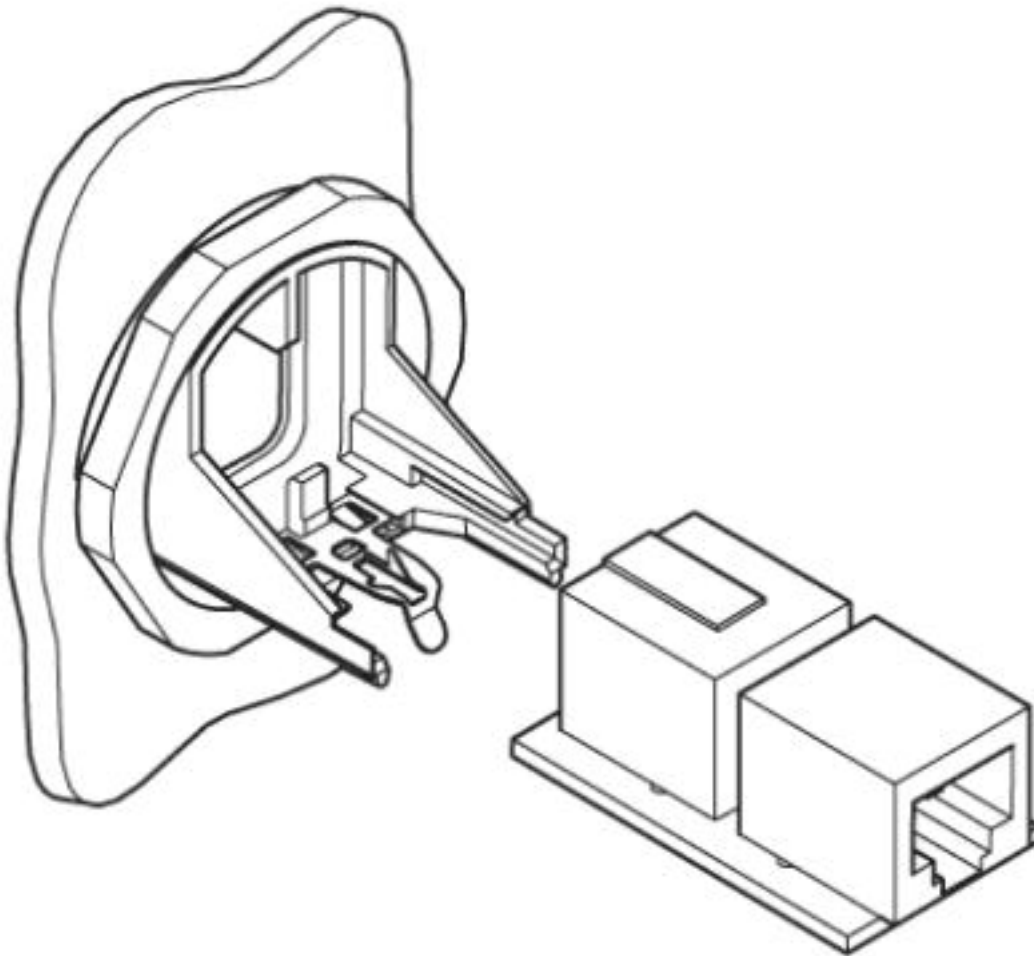
Panel mounting frames - VS-PPC-F1-RJ45-MNNA-1R-F - 1405358

Schematic diagram



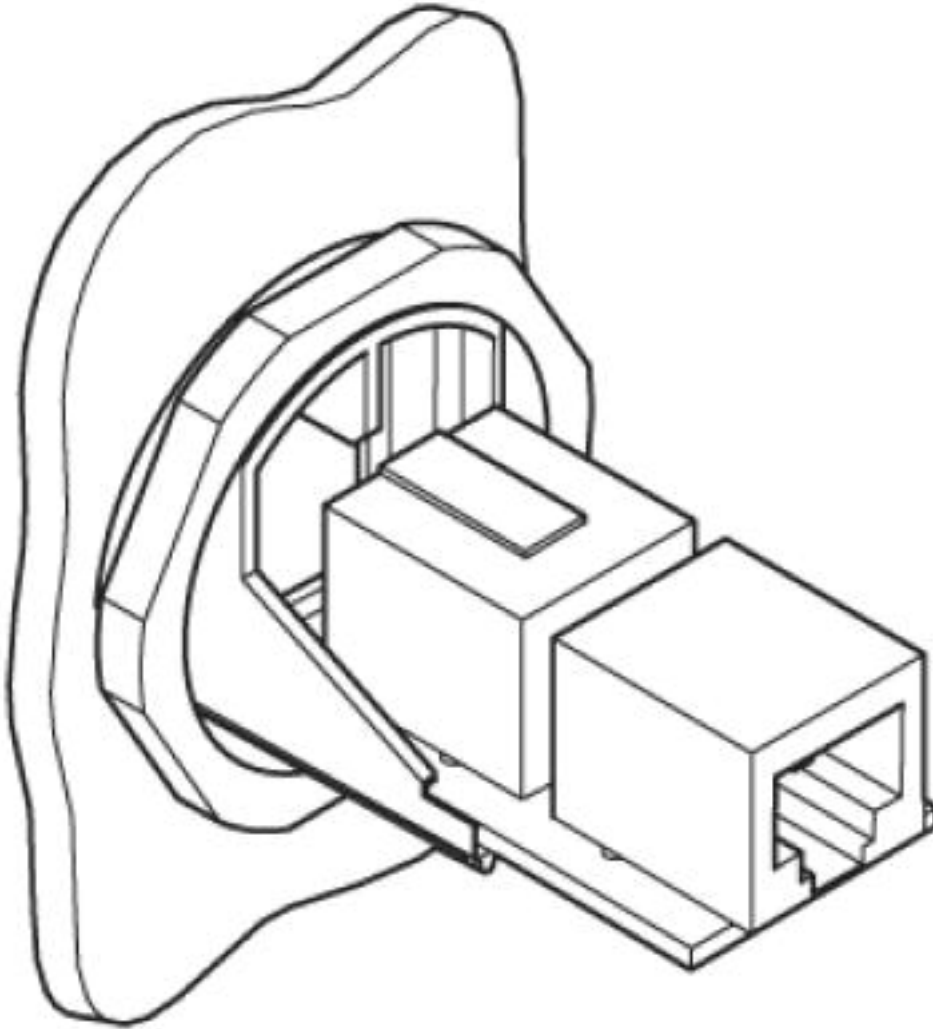
Panel mounting frames - VS-PPC-F1-RJ45-MNNA-1R-F - 1405358

Schematic diagram



Panel mounting frames - VS-PPC-F1-RJ45-MNNA-1R-F - 1405358

Schematic diagram



© Phoenix Contact 2013 - all rights reserved
<http://www.phoenixcontact.com>