

# Bus system connector - SACC-MSD-4SC SH PN SCO - 1436738

Please be informed that the data shown in this PDF Document is generated from our Online Catalog. Please find the complete data in the user's documentation. Our General Terms of Use for Downloads are valid (<http://download.phoenixcontact.com>)



Bus system connector, PROFINET CAT5 (100 Mbps), PROFINET CAT5e (100 Mbps), 4-position, Plug straight M12, D-coded, Spring-cage conn., Knurl material: Nickel-plated brass, External cable diameter 4 mm ... 8 mm

## Product Features

- Safe use in the field, thanks to a high degree of protection
- Flexible: connectors for on-site assembly
- Save time, thanks to installation with SPEEDCON rapid interlock system
- Spring-cage connection: connect more securely, even in the case of shock and vibration, thanks to high contact forces
- Reliable signal transmission - 360° shielding in environments with electromagnetic interference



## Key commercial data

package_quantity	1
GTIN	4046356435291

## Technical data

### Mechanical characteristics

Standards/specifications	M12 connector IEC 61076-2-101
Number of positions	4
Shielded	Yes
Insertion/withdrawal cycles	≥ 100
Connection method	Spring-cage conn.
Conductor cross section	0.14 mm <sup>2</sup> ... 0.5 mm <sup>2</sup>
Connection cross section AWG	26 ... 20

### Ambient conditions

Ambient temperature (operation)	-40 °C ... 85 °C (Plug / socket)
Degree of protection	IP67

### Material data

Inflammability class according to UL 94	V0
Contact carrier material	TPU
Contact material	CuSn
Contact surface material	Ni/Au
Cable gland material	Nickel-plated brass

# Bus system connector - SACC-MSD-4SC SH PN SCO - 1436738

## Technical data

### Material data

Sealing material	NBR
------------------	-----

### Electrical characteristics

Number of positions	4
Nominal voltage $U_N$	60 V
Nominal current $I_N$	4 A
Transmission characteristics (category)	CAT5 (IEC 11801:2002), CAT5e (TIA 568B:2001)
Surge voltage category	II
Pollution degree	3

## classifications

### eCl@ss

eCl@ss 4.0	27250313
eCl@ss 4.1	27250313
eCl@ss 5.0	27143423
eCl@ss 5.1	27143423
eCl@ss 6.0	27143423
eCl@ss 7.0	27449001
eCl@ss 8.0	27449001

### ETIM

ETIM 3.0	EC002062
ETIM 4.0	EC002062
ETIM 5.0	EC002062

### UNSPSC

UNSPSC 6.01	31251501
UNSPSC 7.0901	31251501
UNSPSC 11	31251501
UNSPSC 12.01	31251501
UNSPSC 13.2	31251501

## approvals

GOST /

### Approval details


---

## Bus system connector - SACC-MSD-4SC SH PN SCO - 1436738

accessories

### Torque tool

TSD 04 SAC - 1208429



TSD-M 1,2NM - 1212224



### Screwdriver tools

SACC BIT M12-D20 - 1208445



TSD-M SAC-BIT ADAPTER - 1212600



### Protective cap

PROT-M12 FS-PA-CHAIN - 1430873



## Bus system connector - SACC-MSD-4SC SH PN SCO - 1436738

accessories

### Data cable by the meter

VS-OE-OE-93B/... - 1417362



VS-OE-OE-93C/... - 1417491



VS-OE-OE-93R/... - 1417388



VS-OE-OE-936/... - 1417375



VS-OE-OE-937/... - 1402687



### Shield connection

# Bus system connector - SACC-MSD-4SC SH PN SCO - 1436738

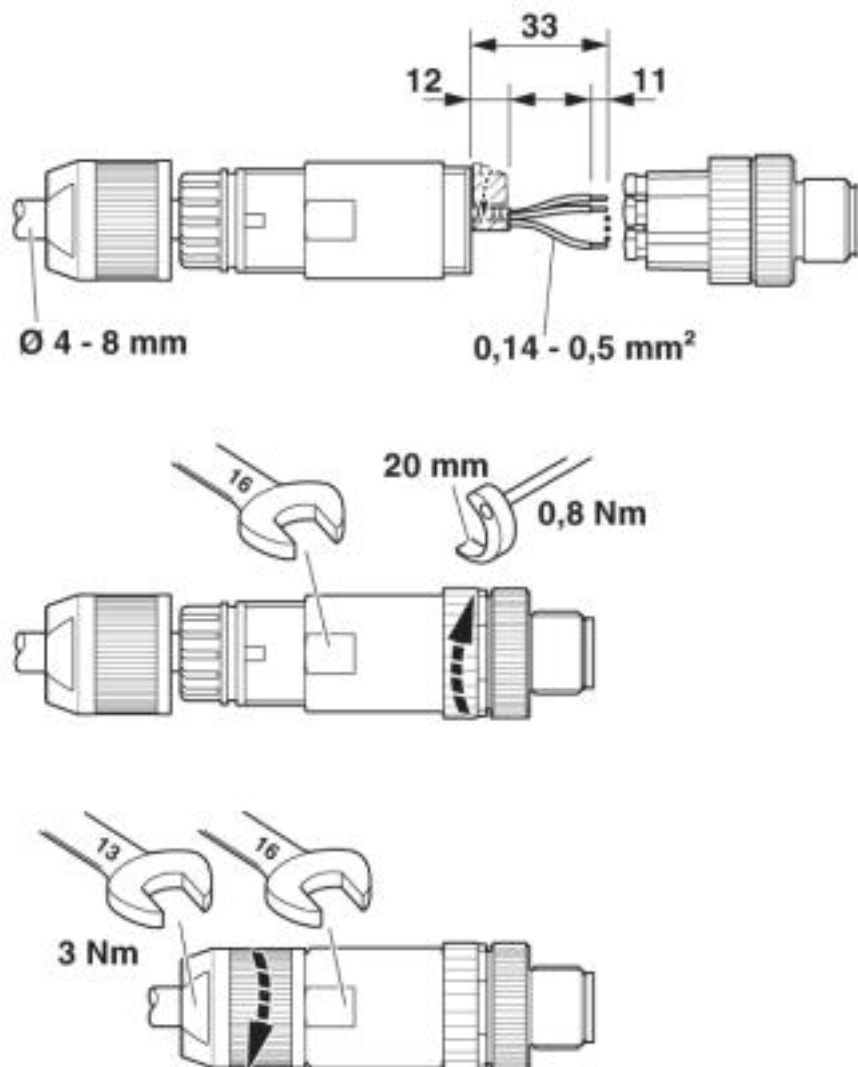
accessories

ALU-SB - 1404531



## Drawings

Functional drawing

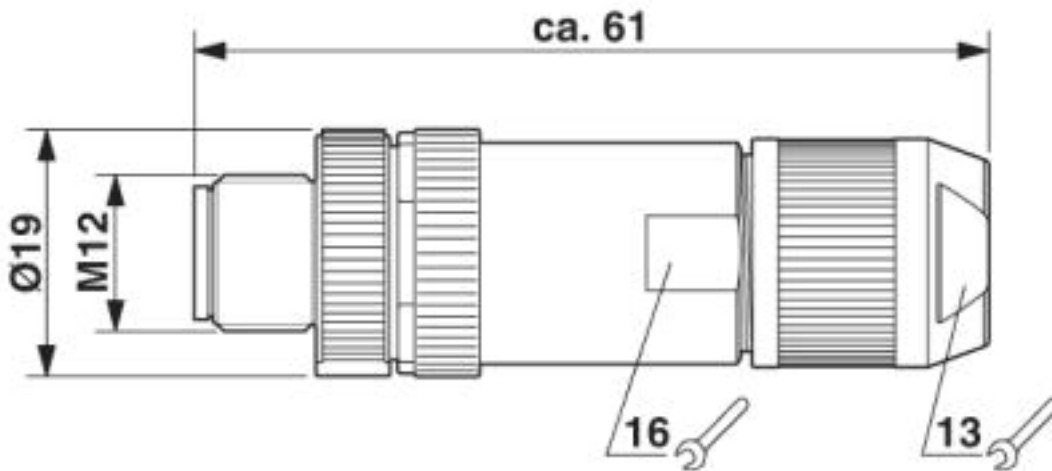


Strip the cable, shorten the shield, strip the single wires, push the pressure nut onto the cable. Slide the wires through the sleeve housing and connect, stick shielding foil around the shortened shield, in the case

## Bus system connector - SACC-MSD-4SC SH PN SCO - 1436738

of straight sleeve housing, gently twist the wires together, screw sleeve housing to the plug insert, screw the pressure nut tight.

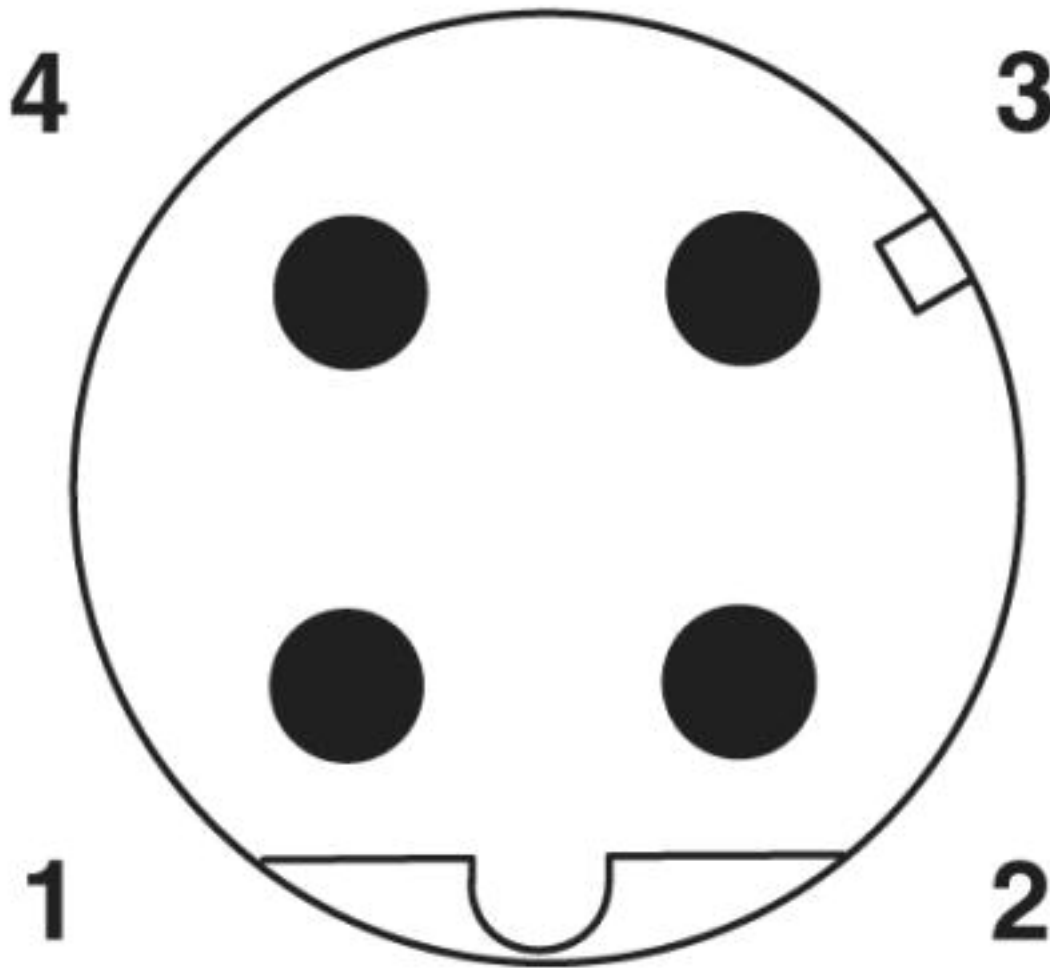
Dimensioned drawing



Plug, M12 x 1, straight, shielded

# Bus system connector - SACC-MSD-4SC SH PN SCO - 1436738

Schematic diagram



Pin assignment M12 male connector, 4-pos., D-coded, male side

© Phoenix Contact 2013 - all rights reserved  
<http://www.phoenixcontact.com>