

Flush-type socket - SACC-DSIV-FS-8CON-L180-10G SCO - 1440669

Please be informed that the data shown in this PDF Document is generated from our Online Catalog. Please find the complete data in the user's documentation. Our General Terms of Use for Downloads are valid (<http://download.phoenixcontact.com>)



Flush-type socket, CAT6_A, Ethernet, 8-pos., M12 SPEEDCON, rear/screw mounting with M12 fastening thread, with straight solder connection

M12 panel feed-through, rear mounting



Key commercial data

package_quantity	20
GTIN	4046356504591

Technical data

Ambient conditions

Ambient temperature (operation)	-40 °C ... 85 °C
Degree of protection	IP67 (When plugged in)

General

Rated current at 40°C	0.5 A
Rated voltage	48 V
Number of positions	8
Contact resistance	< 5 mΩ
Insulation resistance	> 100 MΩ
Signal type/category	Ethernet CAT6 _A
Surge voltage category	III
Pollution degree	3
Connection method	THR solder connection
Insertion/withdrawal cycles	≥ 100

Material

Inflammability class according to UL 94	V0
Contact material	CuZn
Contact surface material	Ni/Au
Contact carrier material	PPA

Flush-type socket - SACC-DSIV-FS-8CON-L180-10G SCO - 1440669

Technical data

Material

Material of grip body	Zinc die-cast, nickel-plated
Material, knurls	Zinc die-cast, nickel-plated
Material	Zinc die-cast (nickel-plated)
Sealing material	EPDM

Cable

Transmission characteristics (category)	CAT6 _A
---	-------------------

classifications

eCl@ss

eCl@ss 4.0	27140815
eCl@ss 4.1	27140815
eCl@ss 5.0	27143423
eCl@ss 5.1	27143423
eCl@ss 6.0	27279220
eCl@ss 7.0	27440103
eCl@ss 8.0	27440103

ETIM

ETIM 2.0	EC001297
ETIM 3.0	EC002061
ETIM 4.0	EC002061
ETIM 5.0	EC002061

UNSPSC

UNSPSC 6.01	31251501
UNSPSC 7.0901	31251501
UNSPSC 11	31251501
UNSPSC 12.01	31251501
UNSPSC 13.2	39121413

approvals

UL Recognized /

Approval details



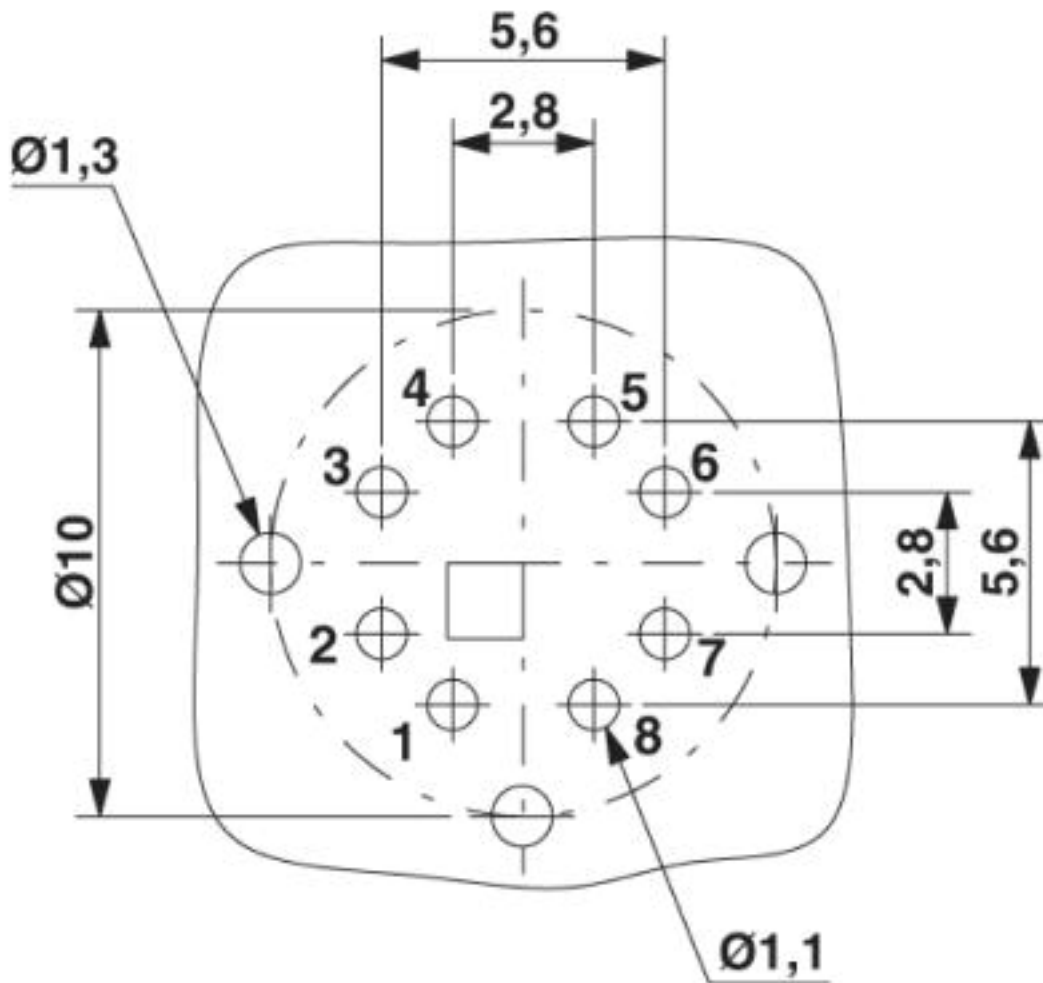
Flush-type socket - SACC-DSIV-FS-8CON-L180-10G SCO - 1440669

approvals

Nominal voltage UN	60 V
Nominal current IN	0.5 A
mm ² /AWG/kcmil	

Drawings

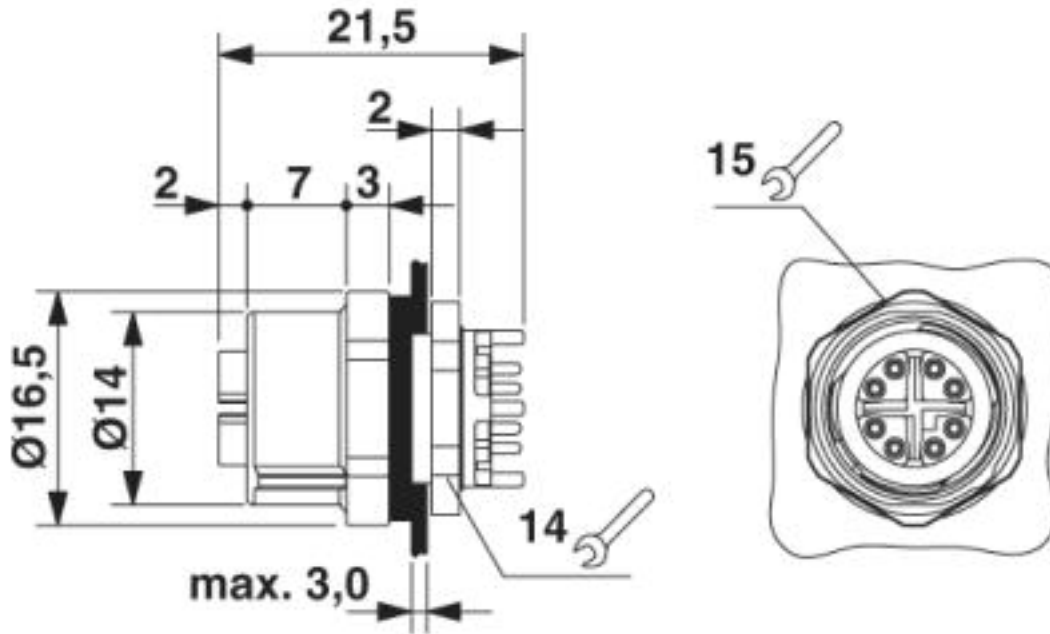
Drilling diagram



Soldering pad geometry

Flush-type socket - SACC-DSIV-FS-8CON-L180-10G SCO - 1440669

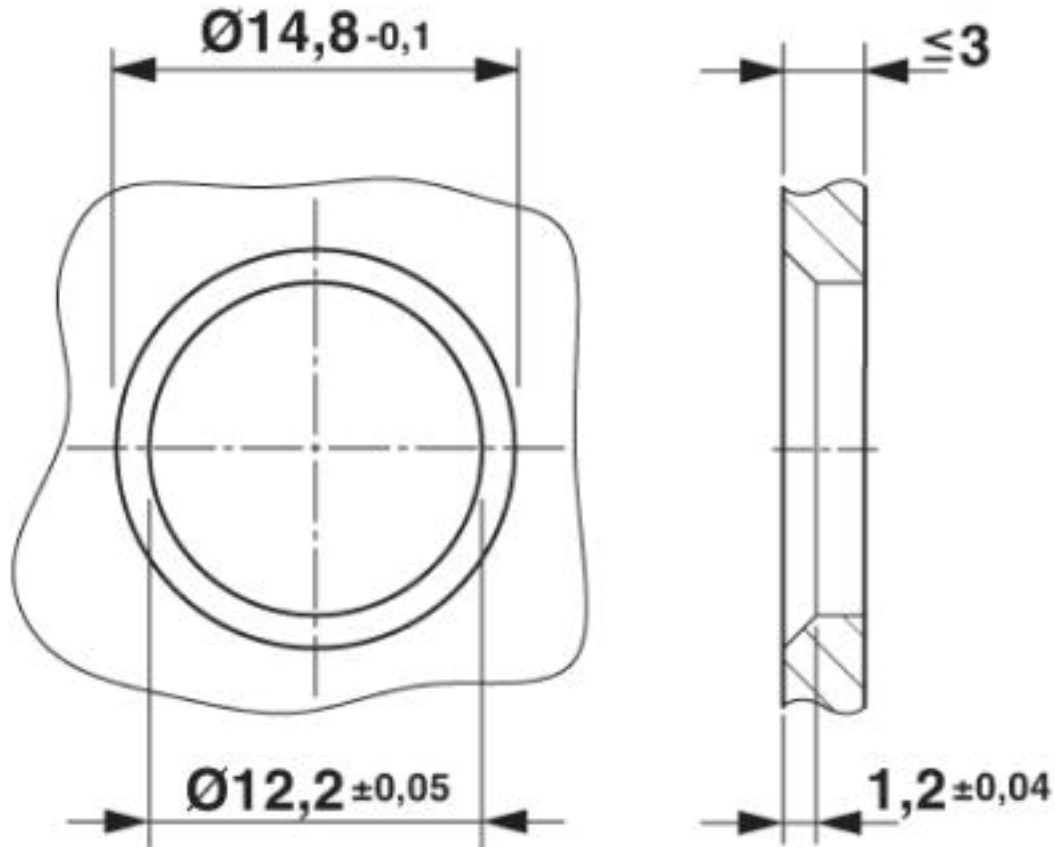
Dimensioned drawing



M12 flush-type socket

Flush-type socket - SACC-DSIV-FS-8CON-L180-10G SCO - 1440669

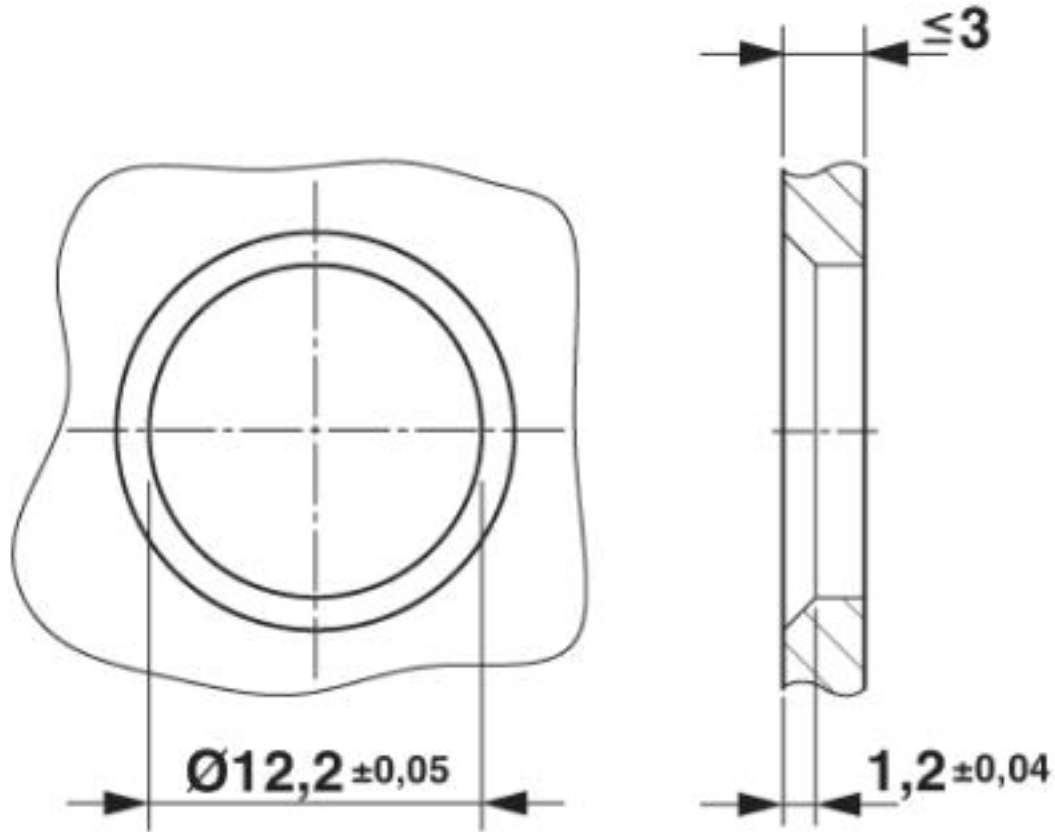
Dimensioned drawing



Housing cut-out for two-part M12 flush-type connectors with THR and wave soldering connection, version 1

Flush-type socket - SACC-DSIV-FS-8CON-L180-10G SCO - 1440669

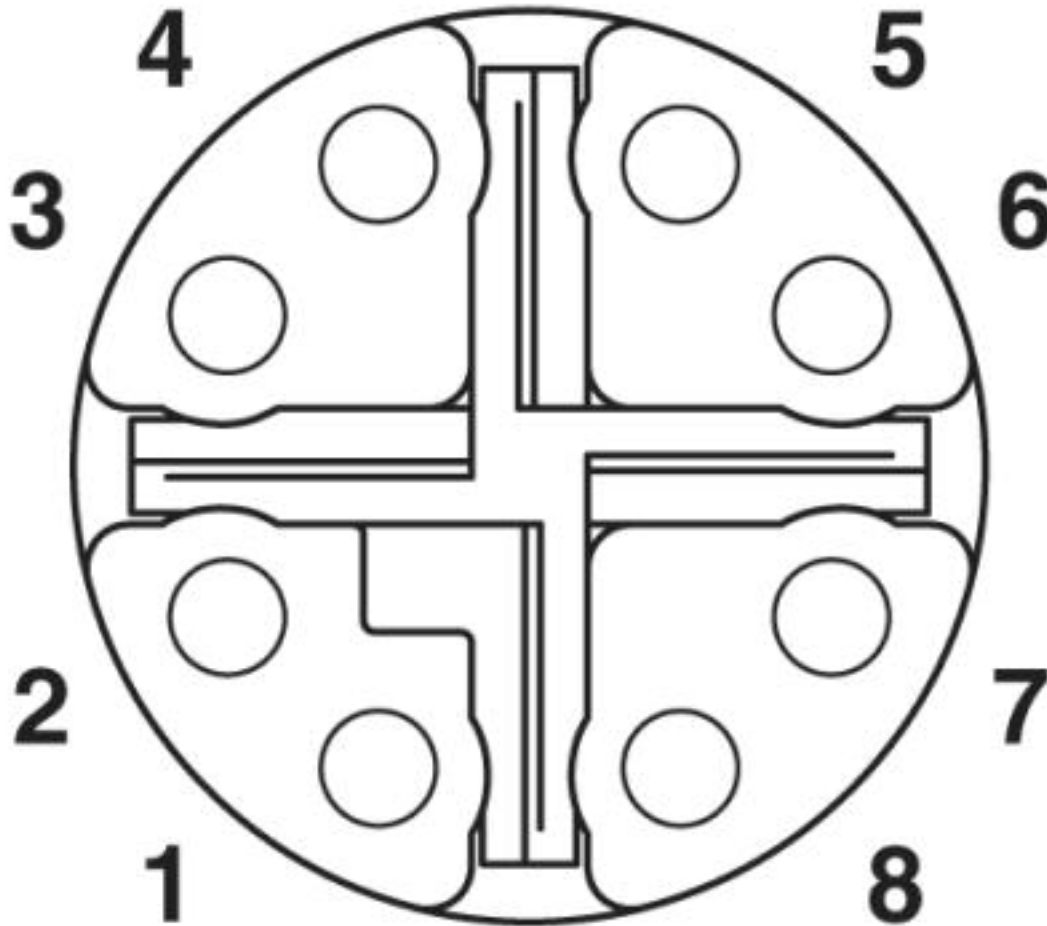
Dimensioned drawing



Housing cut-out for two-part M12 flush-type connectors with THR and wave soldering connection, version 2

Flush-type socket - SACC-DSIV-FS-8CON-L180-10G SCO - 1440669

Schematic diagram



M12 socket pin assignment, 8-pos, view of socket side

© Phoenix Contact 2013 - all rights reserved
<http://www.phoenixcontact.com>