

# Flush-type connector - SACC-DSI-MSB-5CON-L180/SH VT - 1456475

Please be informed that the data shown in this PDF Document is generated from our Online Catalog. Please find the complete data in the user's documentation. Our General Terms of Use for Downloads are valid (<http://download.phoenixcontact.com>)



Sensor/actuator flush-type plug, with violet contact carrier, 5-pos., M12 SPEEDCON, shielded, B-coded, rear/screw mounting with M16 thread, with straight solder connection



## Key commercial data

package_quantity	20
GTIN	4046356617147

## Technical data

### Dimensions

Length of the solder pin	6 mm
--------------------------	------

### Ambient conditions

Ambient temperature (operation)	-25 °C ... 85 °C (Plug / socket)
Degree of protection	IP67

### General

Rated current at 40°C	4 A
Rated voltage	60 V
Number of positions	5
Contact resistance	≤ 3 mΩ
Insulation resistance	≥ 100 MΩ
Coding	B - inverse
Standards/regulations	M12 connector IEC 61076-2-101
Status display	No
Surge voltage category	II
Pollution degree	3
Connection method	Solder pins
Mounting type	Rear mounting Pg9 With flat nut

### Material

Inflammability class according to UL 94	V0
Contact material	CuZn

# Flush-type connector - SACC-DSI-MSB-5CON-L180/SH VT - 1456475

## Technical data

### Material

Contact surface material	Au
Contact carrier material	PA 66
Material, knurls	Zinc die-cast, nickel-plated
Sealing material	NBR

## classifications

### eCl@ss

eCl@ss 4.0	27250313
eCl@ss 4.1	27250313
eCl@ss 5.0	27143423
eCl@ss 5.1	27143423
eCl@ss 6.0	27143423
eCl@ss 7.0	27449001
eCl@ss 8.0	27449001

### ETIM

ETIM 4.0	EC002061
ETIM 5.0	EC002061


### UNSPSC

UNSPSC 6.01	31261501
UNSPSC 7.0901	31261501
UNSPSC 11	31261501
UNSPSC 12.01	31261501
UNSPSC 13.2	31261501

## approvals

UL Recognized / GOST / GOST /

### Approval details

<b>UL Recognized</b> 	
Nominal voltage UN	60 V
Nominal current IN	4 A
mm <sup>2</sup> /AWG/kcmil	26-20

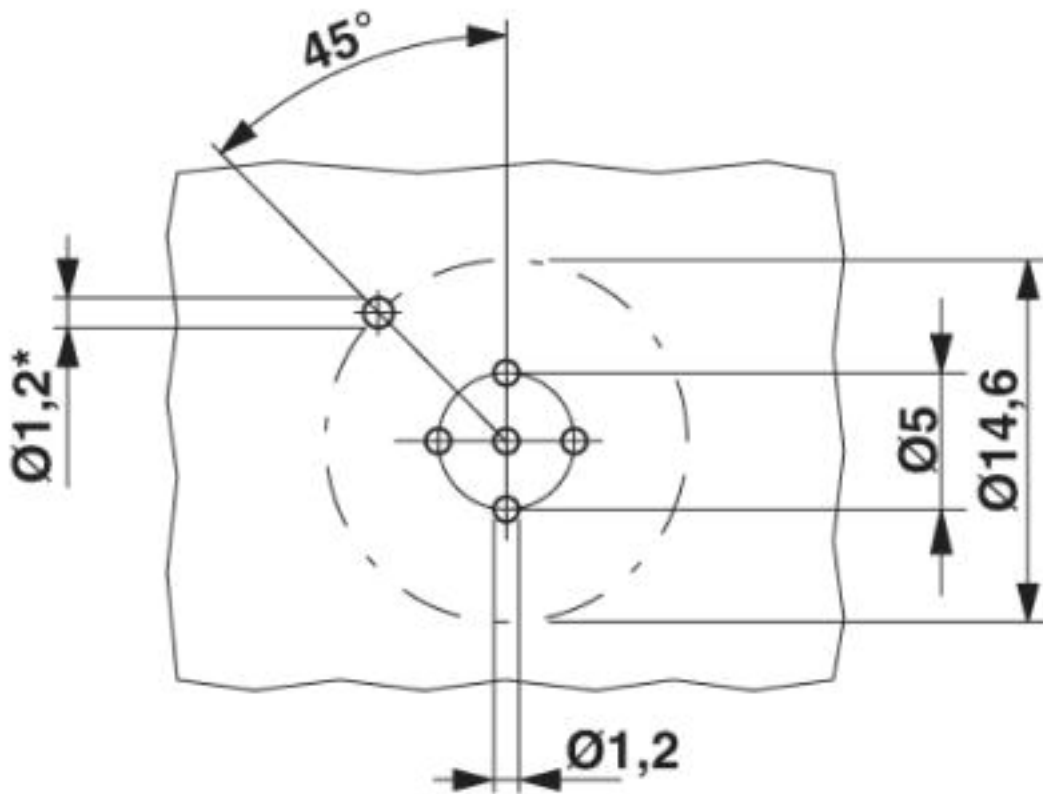
# Flush-type connector - SACC-DSI-MSB-5CON-L180/SH VT - 1456475

approvals



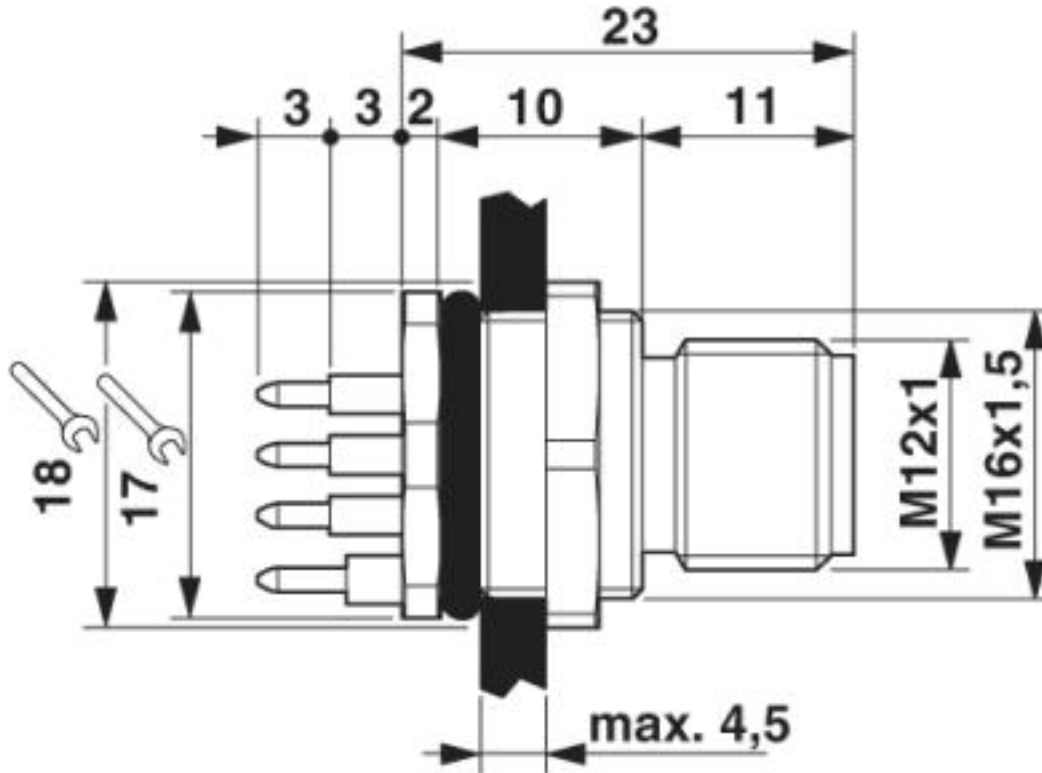
Drawings

Drilling diagram



# Flush-type connector - SACC-DSI-MSB-5CON-L180/SH VT - 1456475

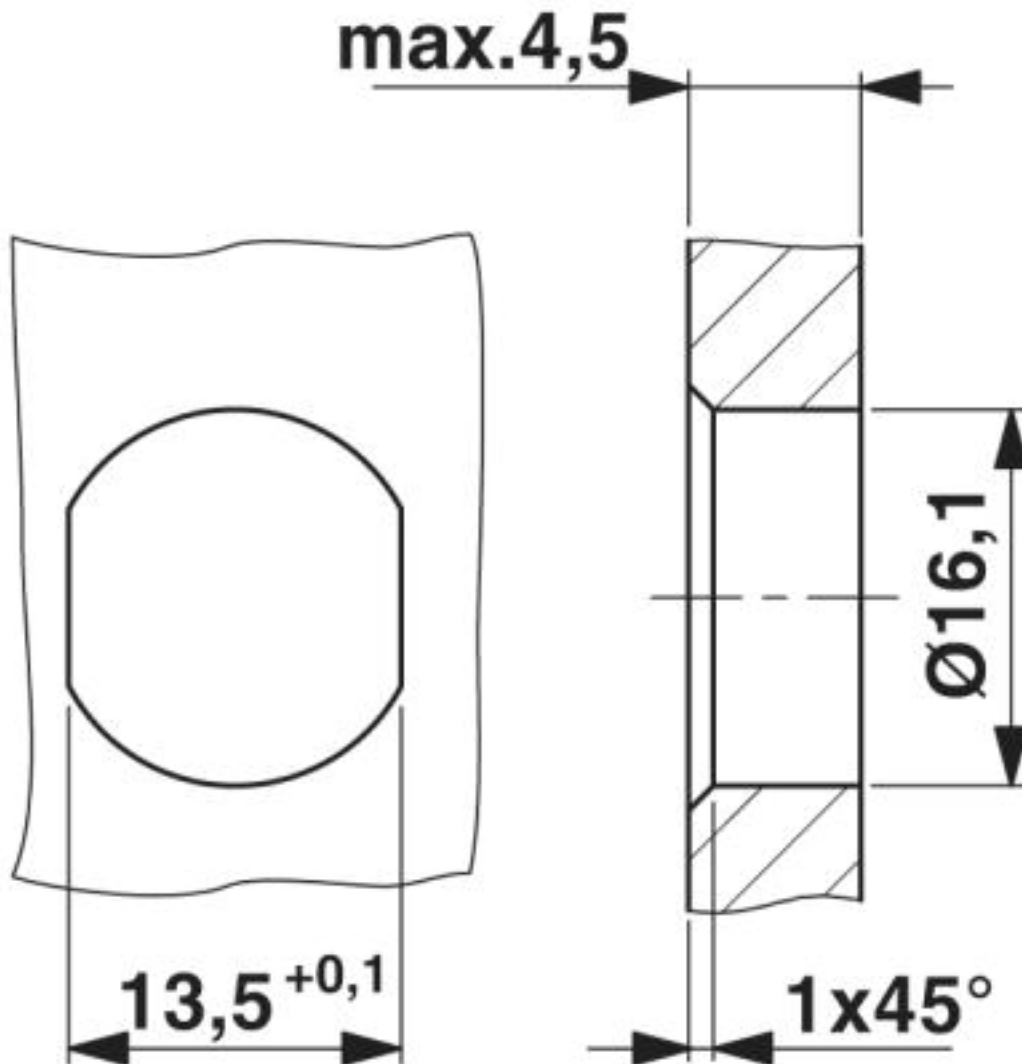
Dimensioned drawing



M12 flush-type connector

# Flush-type connector - SACC-DSI-MSB-5CON-L180/SH VT - 1456475

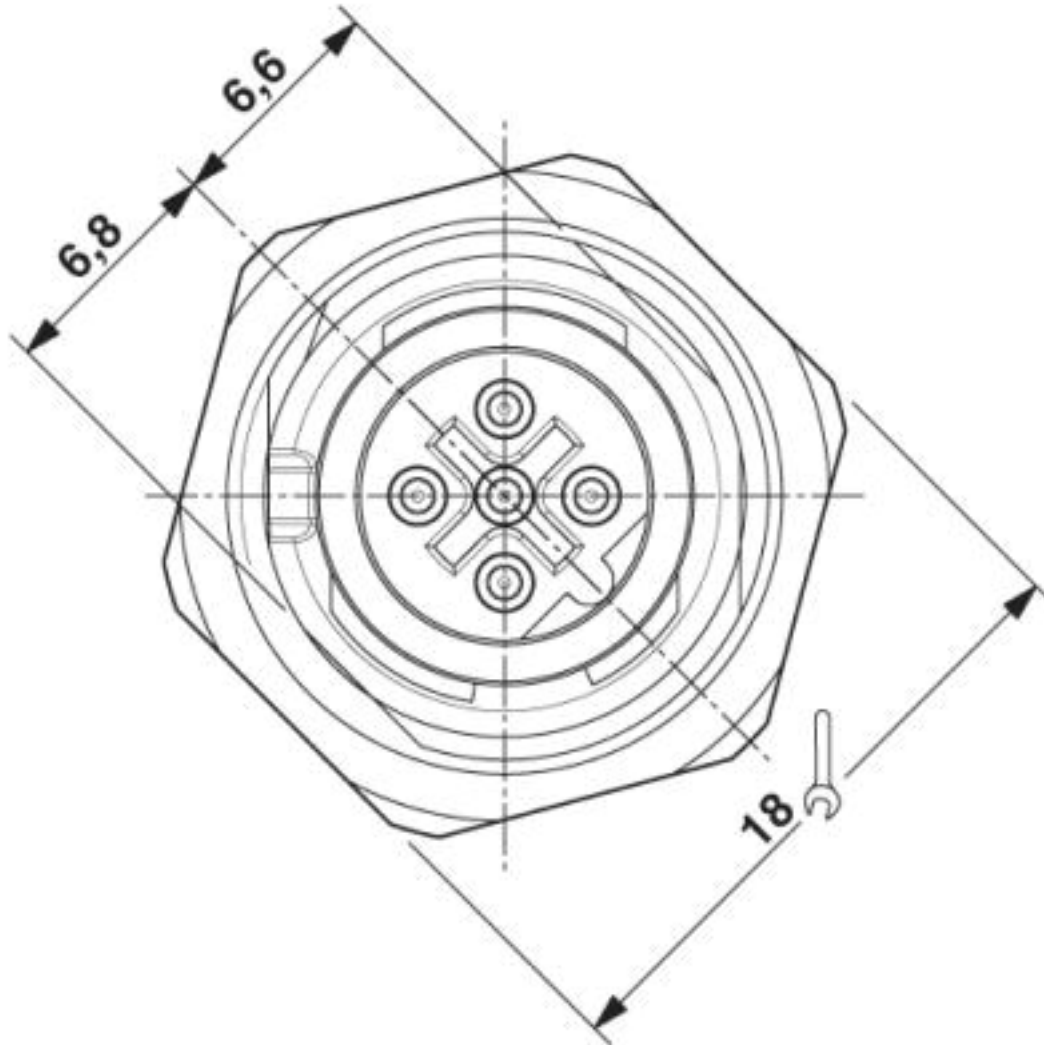
Dimensioned drawing



Mounting cutout with polarization for Pg9 thread

# Flush-type connector - SACC-DSI-MSB-5CON-L180/SH VT - 1456475

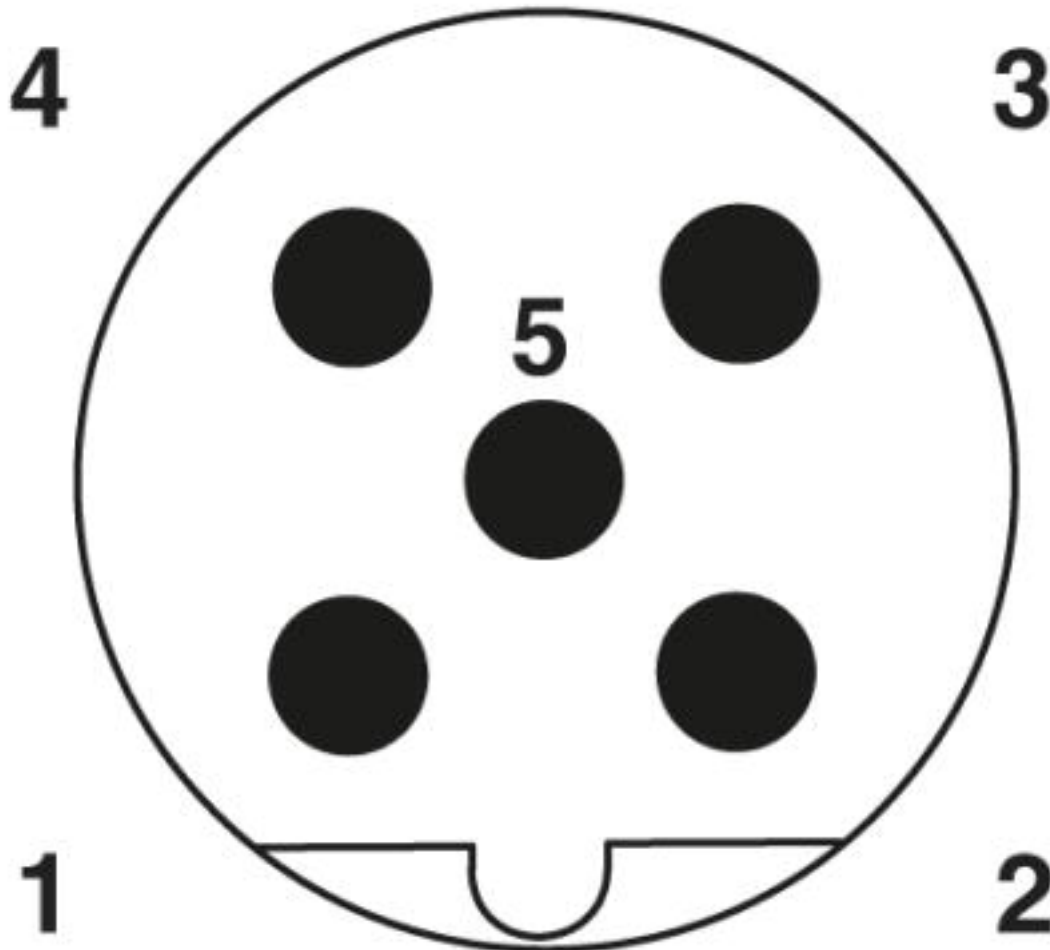
Dimensioned drawing



M12 front view

# Flush-type connector - SACC-DSI-MSB-5CON-L180/SH VT - 1456475

Schematic diagram



Pin assignment M12 male connector, 5-pos., B-coded, male side

© Phoenix Contact 2013 - all rights reserved  
<http://www.phoenixcontact.com>