

## Sensor/Actuator cable - SAC-4P- 5,0-PVC/M12FR-V2A - 1501566

Please be informed that the data shown in this PDF Document is generated from our Online Catalog. Please find the complete data in the user's documentation. Our General Terms of Use for Downloads are valid (<http://download.phoenixcontact.com>)

Sensor/Actuator cable, 3-position, PVC, Black RAL 9005, Free cable end, on Socket angled M12, A-coded, Cable length: 5 m

### Key commercial data

|                         |               |
|-------------------------|---------------|
| <b>package_quantity</b> | 1             |
| <b>GTIN</b>             | 4017918615062 |

### Technical data

#### Dimensions

|   |       |
|---|-------|
| <b>Length of cable</b>                            | 5 m   |
| <b>Stripping length of the free conductor end</b> | 50 mm |

#### Ambient conditions

|                             |      |
|-----------------------------|------|
| <b>Degree of protection</b> | IP65 |
| <b>Degree of protection</b> | IP67 |
| <b>Degree of protection</b> | IP68 |

#### General

|                                    |              |
|------------------------------------|--------------|
| <b>Rated current at 40°C</b>       | 4 A          |
| <b>Rated voltage</b>               | 250 V        |
| <b>Number of positions</b>         | 3            |
| <b>Contact resistance</b>          | ≤ 5 mΩ       |
| <b>Insulation resistance</b>       | ≥ 100 MΩ     |
| <b>Coding</b>                      | A - standard |
| <b>Status display</b>              | No           |
| <b>Surge voltage category</b>      | II           |
| <b>Pollution degree</b>            | 3            |
| <b>Insertion/withdrawal cycles</b> | ≥ 100        |

#### Material

|  |   |
|--|---|
| <b>Inflammability class according to UL 94</b> | HB  |
| <b>Contact material</b>                        | CuSn  |
| <b>Contact surface material</b>                | Ni/Au                                       |
| <b>Contact carrier material</b>                | TPU GF                                      |
| <b>Material of grip body</b>                   | TPU, hardly inflammable, self-extinguishing |

# Sensor/Actuator cable - SAC-4P- 5,0-PVC/M12FR-V2A - 1501566

## Technical data

### Material

|                  |                  |
|------------------|------------------|
| Material, knurls | High-grade steel |
| Sealing material | NBR              |

### Cable

|   |   |
|---|---|
| Cable type                                    | PVC black                                       |
| Cable type (abbreviation)                     | PVC   |
| Cable abbreviation                            | LiYY  |
| UL AWM style                                  | 2464 / 1729 (80°C/300 V)                        |
| Conductor cross section                       | 4x 0.34 mm <sup>2</sup> (signal line)           |
| AWG signal line                               | 22  |
| Conductor structure signal line               | 42x 0.10 mm                                     |
| Core diameter including insulation            | 1.45 mm ±0.02 mm                                |
| Thickness, insulation                         | ≥ 0.23 mm (Core insulation)                     |
| Wire colors                                   | brown, white, blue, black                       |
| Overall twist                                 | 4 wires, twisted                                |
| External sheath, color                        | Black RAL 9005                                  |
| Outer sheath thickness                        | ≥ 0.76 mm                                       |
| External cable diameter D                     | 5.2 mm ±0.15 mm                                 |
| Minimum bending radius, fixed installation    | 5 x D   |
| Minimum bending radius, flexible installation | 10 x D  |
| Cable weight                                  | 40 kg/km  |
| Outer sheath, material                        | PVC   |
| Material conductor insulation                 | PVC   |
| Conductor material                            | Bare Cu litz wires                              |
| Insulation resistance                         | ≥ 200 MΩ*km (at 20 °C)                          |
| Conductor resistance                          | max. 58 Ω/km (at 20 °C)                         |
| Nominal voltage, cable                        | ≤ 300 V   |
| Test voltage, cable                           | ≥ 3000 V  |
| Flame resistance                              | As per UL-Style 2464                            |
| Flame resistance                              | According to UL 758/1581 FT1                    |
| Resistance to oil                             | According to DIN EN 60811-2-1, 168 h at 90°C    |
| Ambient temperature (operation)               | -40 °C ... 80 °C (cable, fixed installation)    |
| Ambient temperature (operation)               | -25 °C ... 80 °C (cable, flexible installation) |

## classifications

### eCl@ss

|            |          |
|------------|----------|
| eCl@ss 4.0 | 27060306 |
| eCl@ss 4.1 | 27060306 |
| eCl@ss 5.0 | 27061801 |
| eCl@ss 5.1 | 27061801 |
| eCl@ss 6.0 | 27061801 |

# Sensor/Actuator cable - SAC-4P- 5,0-PVC/M12FR-V2A - 1501566

## classifications

### eCl@ss

|            |          |
|------------|----------|
| eCl@ss 7.0 | 27061801 |
| eCl@ss 8.0 | 27061801 |

### ETIM

|          |          |
|----------|----------|
| ETIM 2.0 | EC000830 |
| ETIM 3.0 | EC001855 |
| ETIM 4.0 | EC001855 |
| ETIM 5.0 | EC001855 |

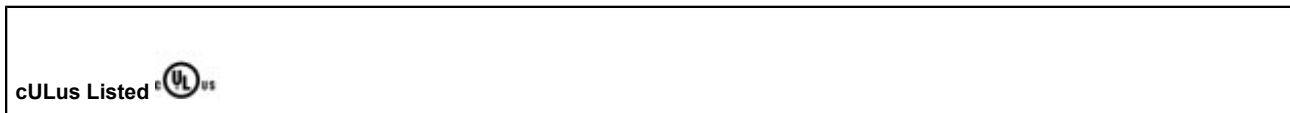
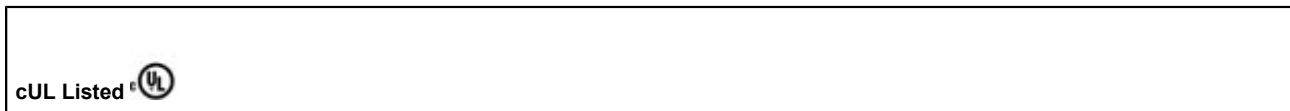
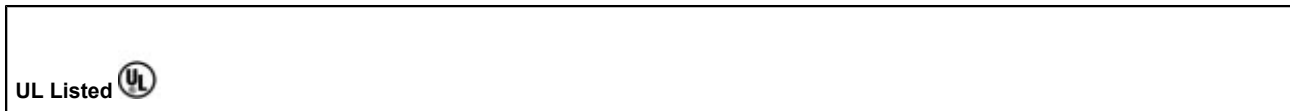
### UNSPSC

|               |          |
|---------------|----------|
| UNSPSC 6.01   | 31251501 |
| UNSPSC 7.0901 | 31251501 |
| UNSPSC 11     | 31251501 |
| UNSPSC 12.01  | 31251501 |
| UNSPSC 13.2   | 31251501 |

## approvals

UL Listed / cUL Listed / cULus Listed /

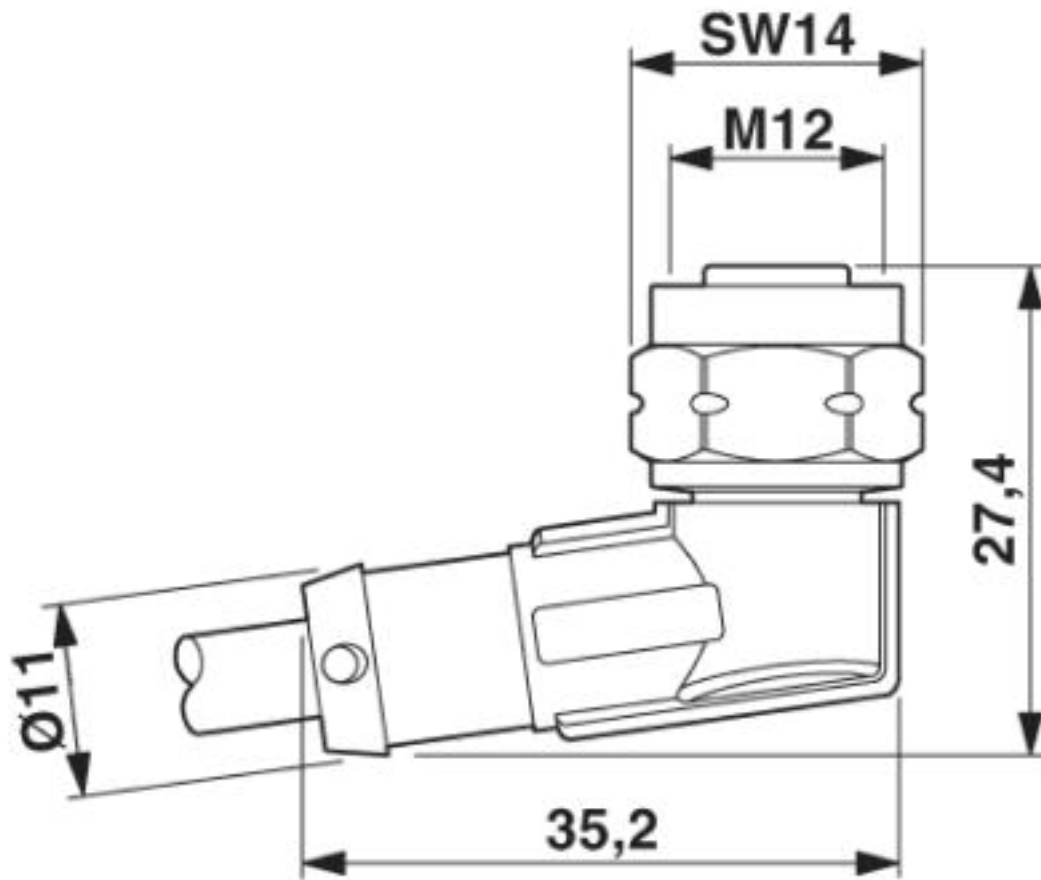
### Approval details



## Drawings

# Sensor/Actuator cable - SAC-4P- 5,0-PVC/M12FR-V2A - 1501566

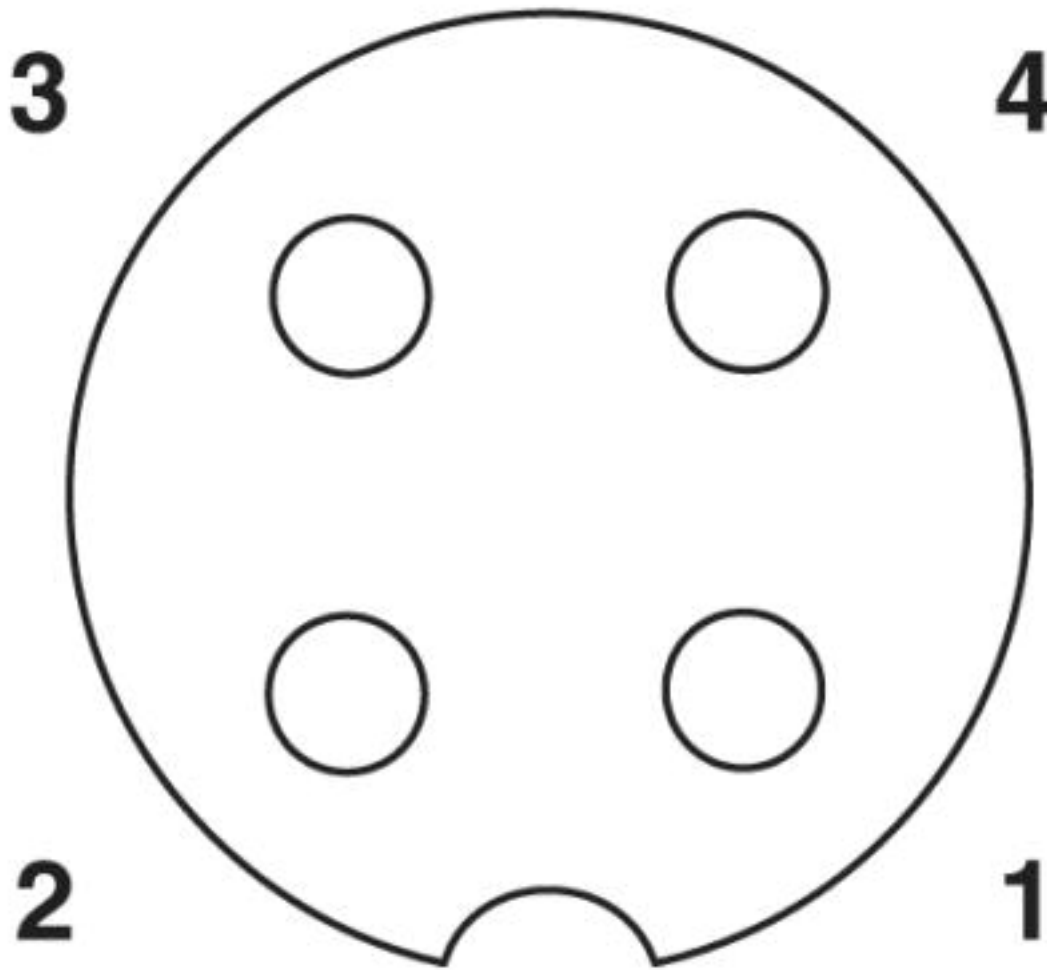
Dimensioned drawing



M12 x 1 socket, angled

# Sensor/Actuator cable - SAC-4P- 5,0-PVC/M12FR-V2A - 1501566

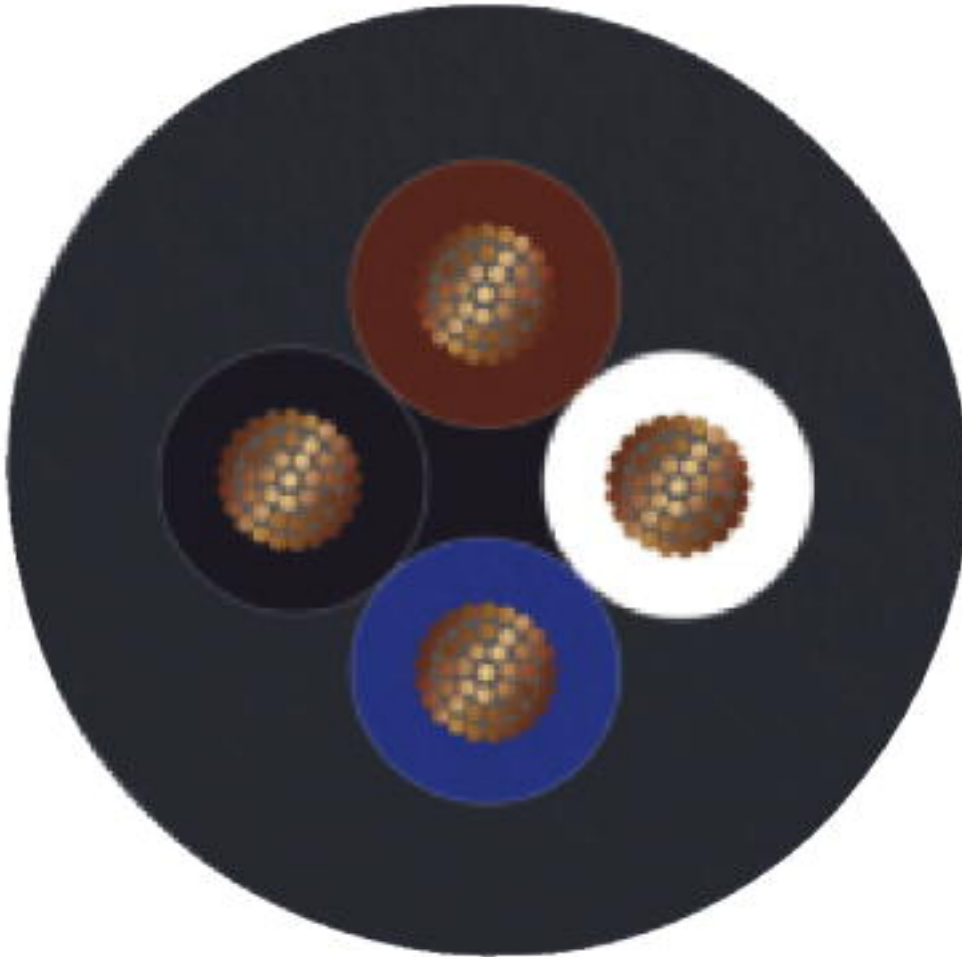
Schematic diagram



Pin assignment M12 socket, 4-pos., A-coded, view female side

## Sensor/Actuator cable - SAC-4P- 5,0-PVC/M12FR-V2A - 1501566

Cable cross section



PVC black [PVC]

© Phoenix Contact 2013 - all rights reserved  
<http://www.phoenixcontact.com>