

# Bus system flat-type plug - SACCEC-M12FSB-2CON-M16/5,0-910 - 1525610

Please be informed that the data shown in this PDF Document is generated from our Online Catalog. Please find the complete data in the user's documentation. Our General Terms of Use for Downloads are valid (<http://download.phoenixcontact.com>)



Bus system flush-type socket, PROFIBUS, 2-pos., M12, shielded, B-coded, front/screw mounting with M16 thread, with 5 m bus cable, 2 x 0.25 mm<sup>2</sup>



## Key commercial data

package_quantity	1
GTIN	4046356022354

## Technical data

### Dimensions

Length of cable	5 m
-----------------	-----

### Ambient conditions

Ambient temperature (operation)	-25 °C ... 85 °C (Plug / socket)
Degree of protection	IP67

### General

Rated current at 40°C	4 A
Rated voltage	60 V
Number of positions	2
Contact resistance	≤ 3 mΩ
Insulation resistance	≥ 100 MΩ
Coding	B - inverse
Standards/regulations	M12 connector IEC 61076-2-101
Status display	No
Surge voltage category	II
Pollution degree	3
Test voltage	2500 V
Connection method	PROFIBUS
Mounting type	Front mounting M16 x 1.5 With locking nut

### Material

Inflammability class according to UL 94	V0
Contact material	CuZn

# Bus system flat-type plug - SACCEC-M12FSB-2CON-M16/5,0-910 - 1525610

## Technical data

### Material

<b>Contact surface material</b>	Ni/Au
<b>Contact carrier material</b>	PA 66
<b>Material, knurls</b>	Nickel-plated brass
<b>Sealing material</b>	NBR

### Cable

<b>Cable type</b>	PROFIBUS
<b>Cable type (abbreviation)</b>	910
<b>UL AWM style</b>	21198 (80°C/300 V)
<b>Conductor cross section</b>	2x 0.25 mm <sup>2</sup> (signal line)
<b>AWG signal line</b>	24
<b>Conductor structure signal line</b>	19x 0.13 mm
<b>Core diameter including insulation</b>	2.55 mm ±0.07 mm
<b>Wire colors</b>	Red, green
<b>Overall twist</b>	2 cores with 2 fillers to the core
<b>Shielding</b>	Plastic-coated aluminum foil, tinned copper braided shield
<b>Optical shield covering</b>	85 %
<b>External sheath, color</b>	Violet, RAL 4001
<b>External cable diameter D</b>	7.8 mm ± 0.2 mm
<b>Number of bending cycles</b>	4000000
<b>Bending radius</b>	65 mm
<b>Traversing path</b>	4.5 m
<b>Traversing rate</b>	3 m/s
<b>Acceleration</b>	3 m/s <sup>2</sup>
<b>Max. bending cycles</b>	5000000
<b>Bending radius</b>	80 mm
<b>Traversing path</b>	4.5 m
<b>Traversing rate</b>	3 m/s
<b>Acceleration</b>	3 m/s <sup>2</sup>
<b>Outer sheath, material</b>	PUR
<b>Material conductor insulation</b>	Foamed PE
<b>Conductor material</b>	Tin-plated Cu litz wires
<b>Insulation resistance</b>	≥ 5 GΩ*km
<b>Conductor resistance</b>	157.2 Ω/km
<b>Working capacitance</b>	30 nF
<b>Wave impedance</b>	nom. 150 Ω ±10 % (3 MHz ... 20 MHz)
<b>Shield attenuation</b>	≤ 4.9 dB (at 16 MHz)
<b>Nominal voltage, cable</b>	30 V
<b>Test voltage Core/Core</b>	1500 V (50 Hz, 1 min.)
<b>Test voltage Core/Shield</b>	1500 V (50 Hz, 1 min.)

# Bus system flat-type plug - SACCEC-M12FSB-2CON-M16/5,0-910 - 1525610

## Technical data

### Cable

<b>Flame resistance</b>	UL 1581, Sec. 1060 (FT-1)
<b>Flame resistance</b>	IEC 60332-1
<b>Other resistance</b>	Low adhesion
<b>Ambient temperature (operation)</b>	-40 °C ... 80 °C (cable, fixed installation)
<b>Ambient temperature (operation)</b>	-30 °C ... 70 °C (cable, flexible installation)

## classifications

### eCl@ss

<b>eCl@ss 4.0</b>	27140815
<b>eCl@ss 4.1</b>	27140815
<b>eCl@ss 5.0</b>	27143423
<b>eCl@ss 5.1</b>	27143423
<b>eCl@ss 6.0</b>	27143423
<b>eCl@ss 7.0</b>	27449001
<b>eCl@ss 8.0</b>	27449001

### ETIM

<b>ETIM 2.0</b>	EC001297
<b>ETIM 3.0</b>	EC002061
<b>ETIM 4.0</b>	EC002061
<b>ETIM 5.0</b>	EC002061

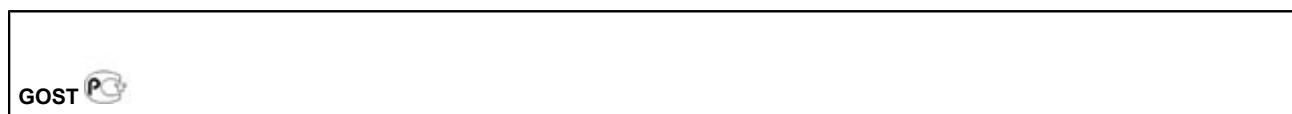
### UNSPSC

<b>UNSPSC 6.01</b>	31251501
<b>UNSPSC 7.0901</b>	31251501
<b>UNSPSC 11</b>	31251501
<b>UNSPSC 12.01</b>	31251501
<b>UNSPSC 13.2</b>	31251501

## approvals

GOST / GOST /

### Approval details



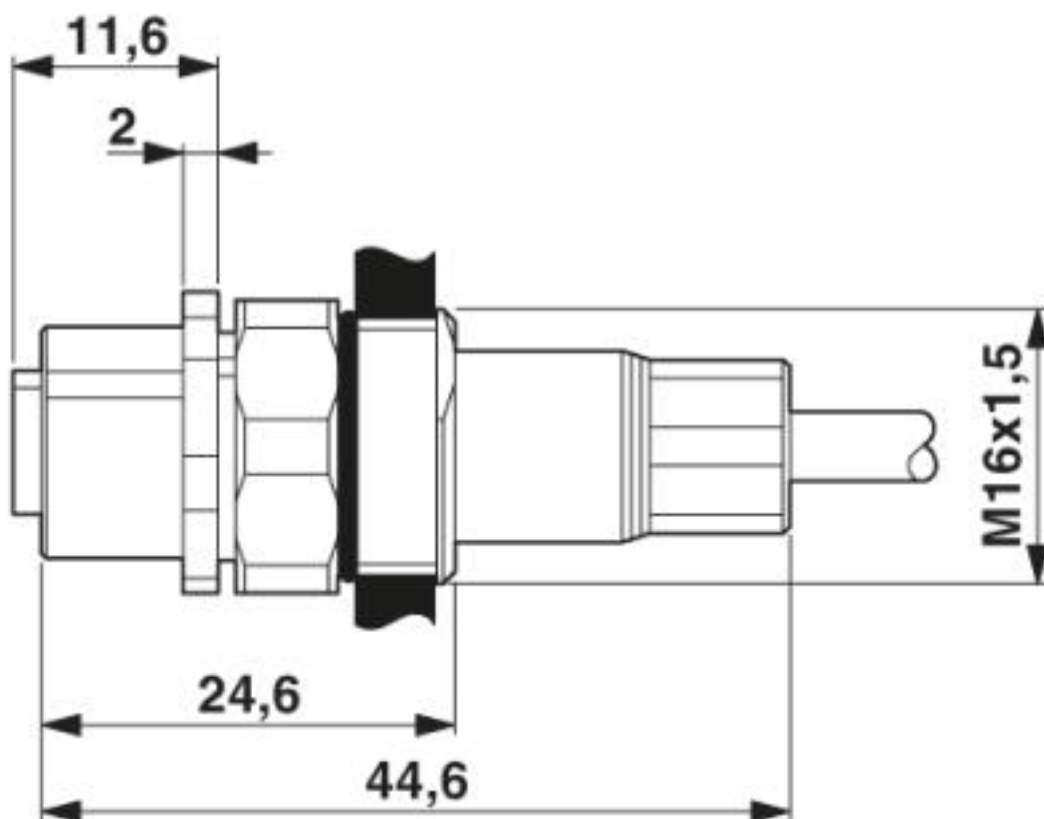
# Bus system flat-type plug - SACCEC-M12FSB-2CON-M16/5,0-910 - 1525610

approvals



## Drawings

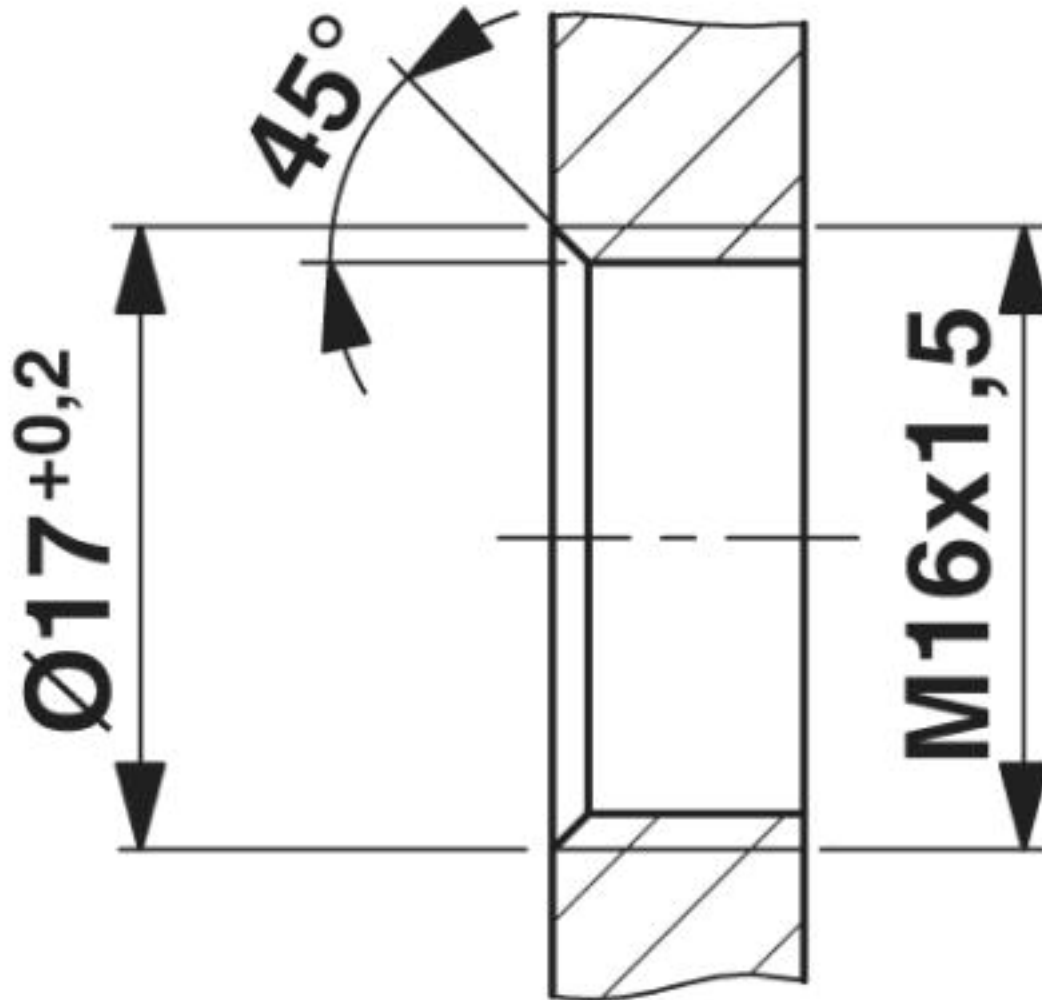
Dimensioned drawing



M12 flush-type connector

# Bus system flat-type plug - SACCEC-M12FSB-2CON-M16/5,0-910 - 1525610

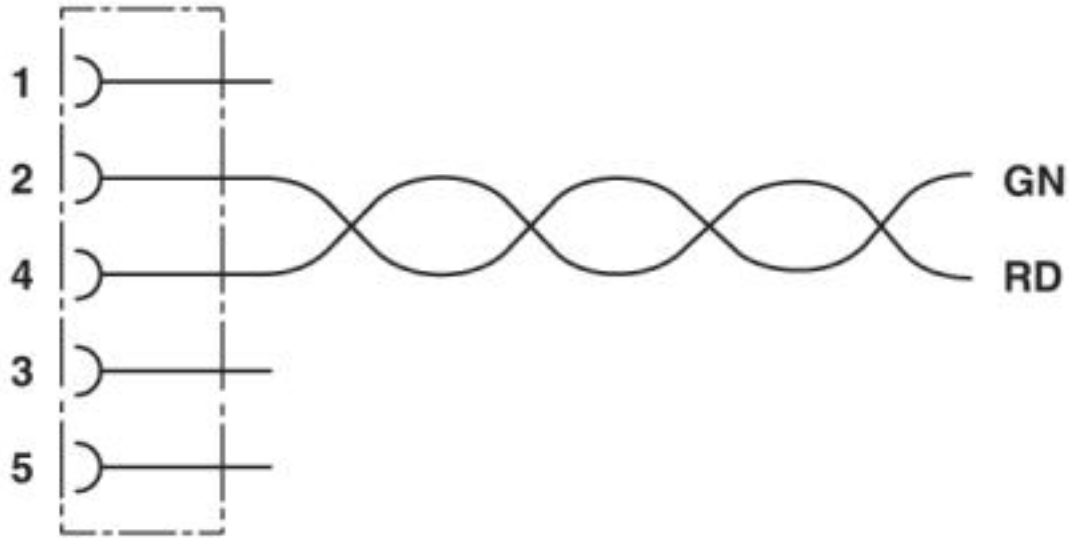
Dimensioned drawing



Housing cutout for M16 fastening thread, mounting panel with thread

# Bus system flat-type plug - SACCEC-M12FSB-2CON-M16/5,0-910 - 1525610

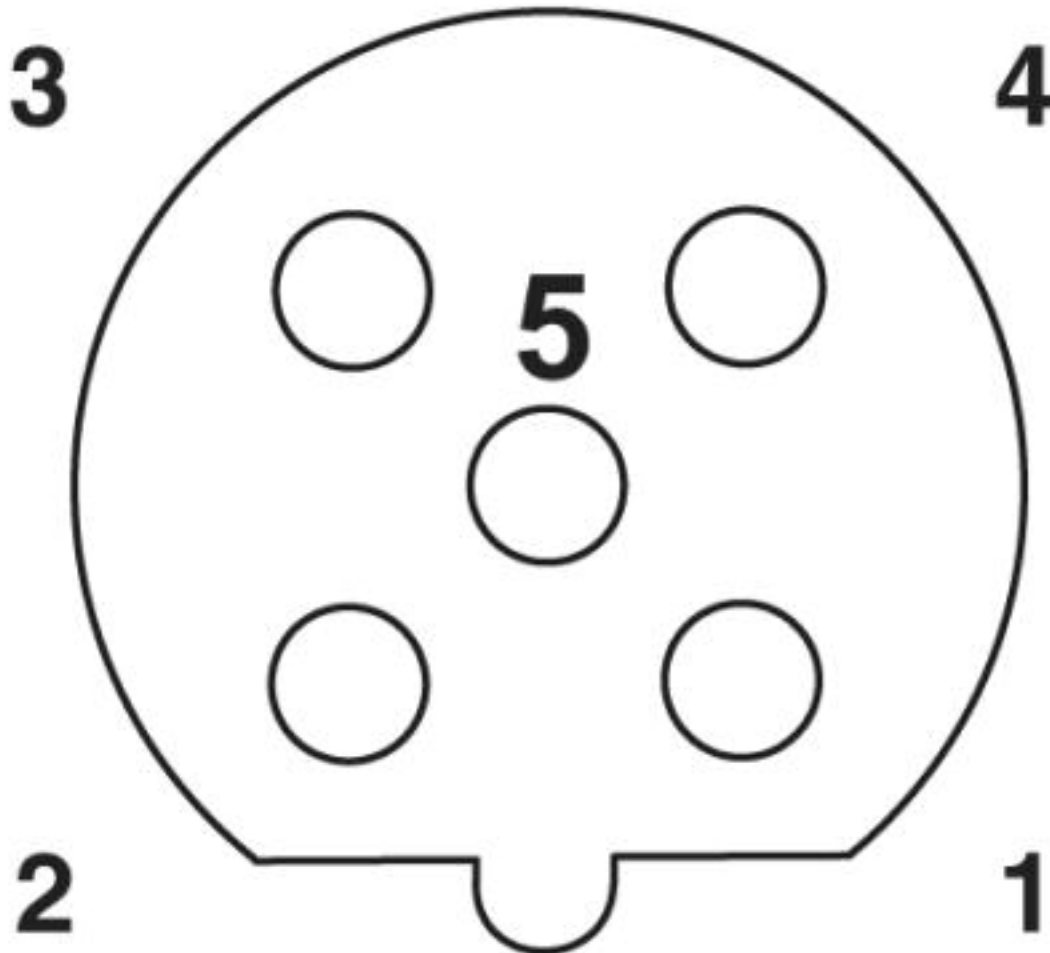
Circuit diagram



Contact assignment of the M12 socket

# Bus system flat-type plug - SACCEC-M12FSB-2CON-M16/5,0-910 - 1525610

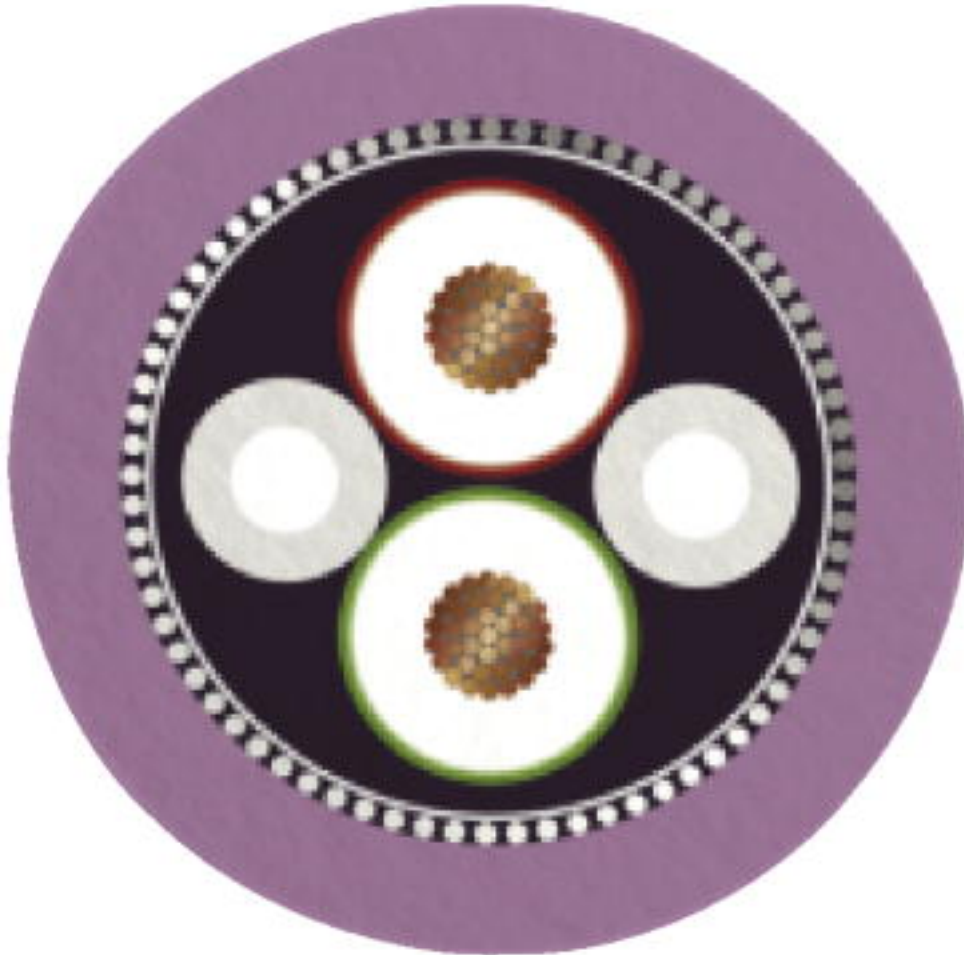
Schematic diagram



Pin assignment M12 socket, 5-pos., B-coded, female side

## Bus system flat-type plug - SACCEC-M12FSB-2CON-M16/5,0-910 - 1525610

Cable cross section



PROFIBUS [910]

© Phoenix Contact 2013 - all rights reserved  
<http://www.phoenixcontact.com>